



**RICOMA<sup>®</sup>**

---

**C SERIES EMBROIDERY MACHINE**

---

**PARTS LIST**



**RICOMA<sup>®</sup>**



# INDEX

1. GENERAL VIEW .....	1
2. RACK .....	2
3. TABLE .....	4
4. ARM-1.....	6
5. ARM-2.....	8
6. UPPER THREAD HOOK .....	10
7. NEEDLE BAR CASE .....	12
8. ROTARY HOOK BASE-1.....	14
9. ROTARY HOOK BASE-2.....	16
10. X-AXIS DRIVING A.....	18
11. X-AXIS DRIVING B.....	20
12. HEAVY CAP FRAME .....	22
13. CAP STAND FRAME.....	24



**14. FRAME ..... 26**

**15. Y-AXIS DRIVING-1 ..... 28**

**16. Y-AXIS DRIVING-2 ..... 30**

**17. DRIVING SHAFT-1 ..... 32**

**18. DRIVING SHAFT-2 ..... 34**

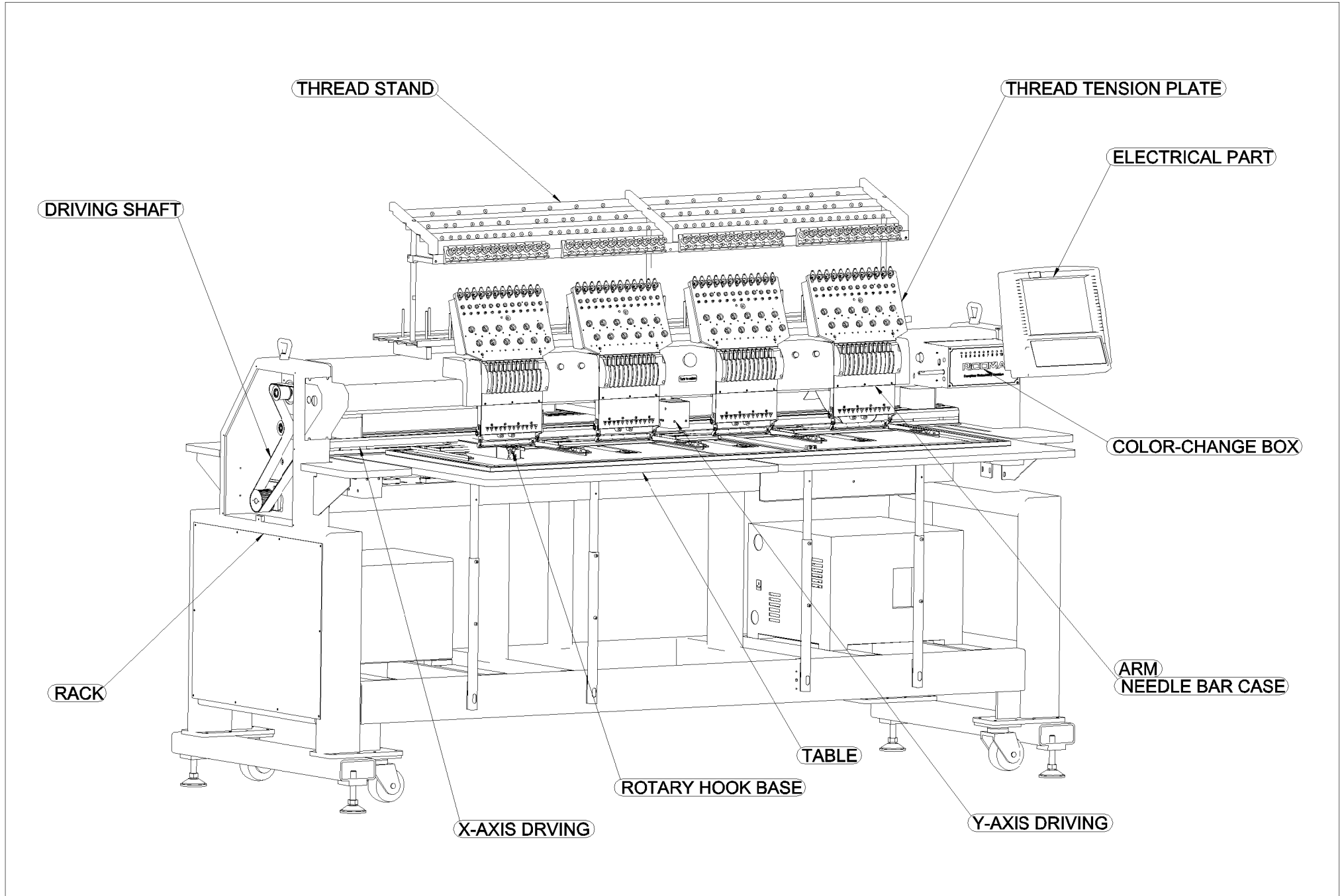
**19. COLOR-CHANGE BOX ..... 36**

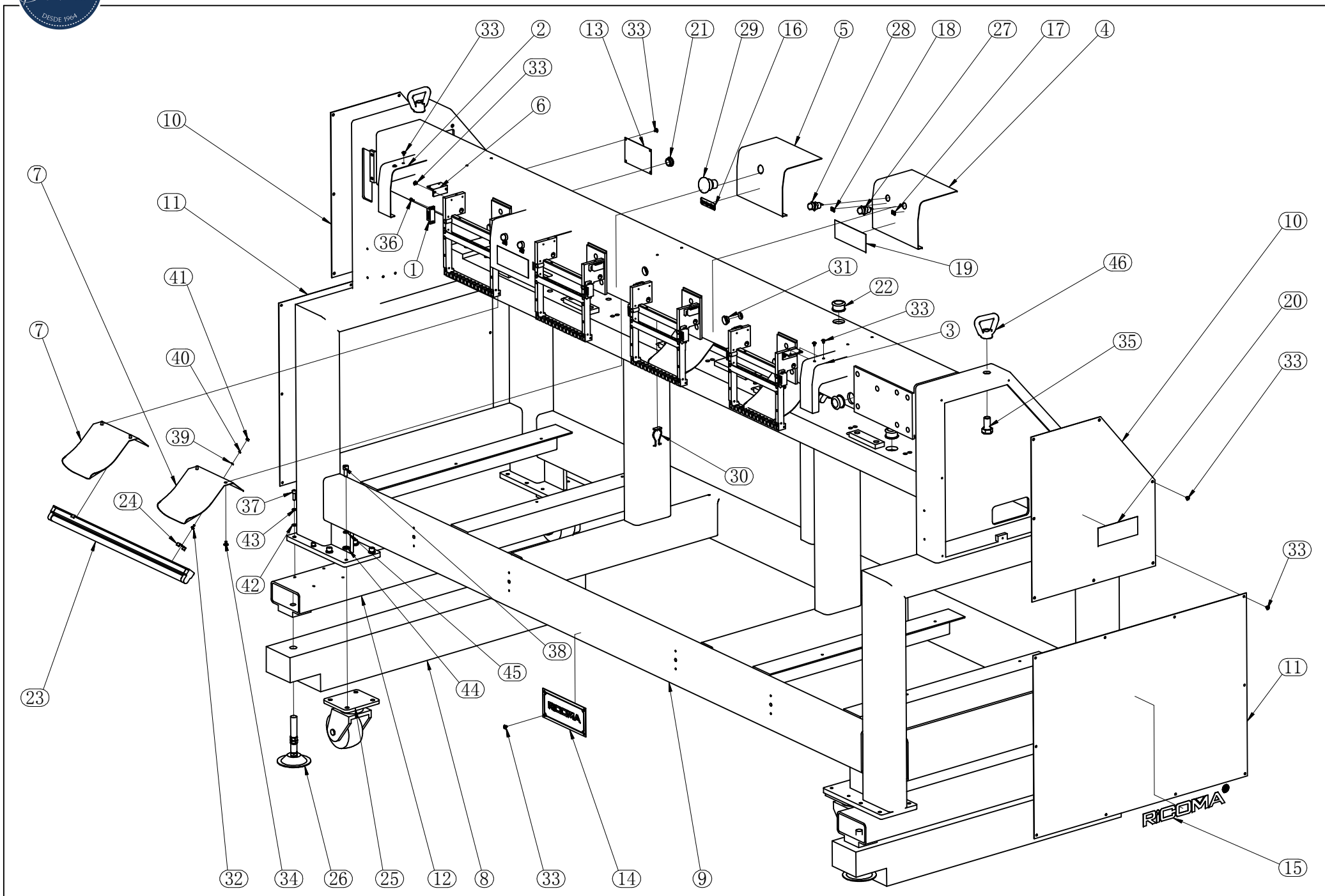
**20. 2 HEAD COLOR-CHANGE BOX ..... 38**

**21. THREAD STAND ..... 40**

**22. THREAD TENSION PLATE ..... 42**

**23. ELECTRICAL PART ..... 44**



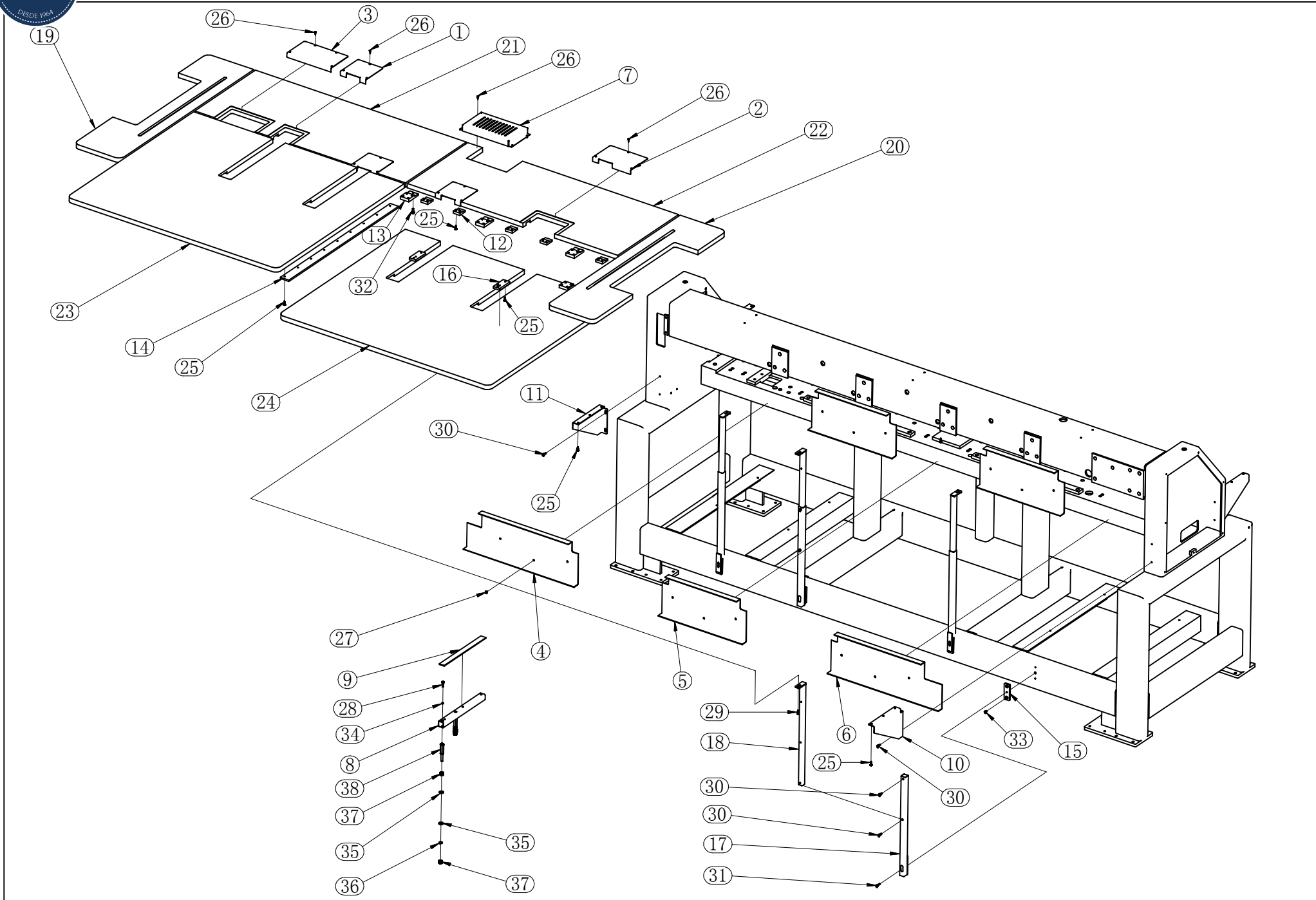




## Rack

No	Part Number	Description
1	01227103	magnetic catch
2	01227112	arm cover-left
3	01227123	arm cover-right
4	01227152	arm cover-shut down
5	01227153	cover bracket
6	01227155	switch panel
7	02812101	baffle
8	21230113	rack cross
9	21230180	rack
10	21810201	case guard cover
11	21811201	rack lower cover
12	21811273	rack bottom beam
13	80050201	nameplate
14	80050202	logo
15	80050301	company logo
16	80050601	shutdown logo
17	80050602	stop logo
18	80050603	start logo
19	80050605	warning logo A
20	80050606	warning logo B
21	80220201	18 pore plug
22	80221001	threading jacket
23	80240101	fluorescent lamp

No	Part Number	Description
24	80240110	light base support
25	80270201	truckle
26	80276062	bracket
27	80350101	F16button-red
28	80350102	F16 button-green
29	80350301	emergency switch
30	80390280	suspension thread set
31	80390902	19 pore plug
32	80742308	M3x8 screw
33	80746406	M4x6 cross truss head screw
34	80746508	M5x8 cross truss head screw
35	80794630	M16x30 out hexagon
36	80813310	M3x10 hexagon cap
37	80813620	M6x20 hexagon cap
38	80813820	M8x20 hexagon cap
39	80900301	M3 plain washer
40	80900311	M3 spring washer
41	80900321	M3 plain nut
42	80900608	M6 plain washer
43	80900618	M6 spring washer
44	80900808	M8 plain washer
45	80900818	M8 spring washer
46	80920117	triangle ear



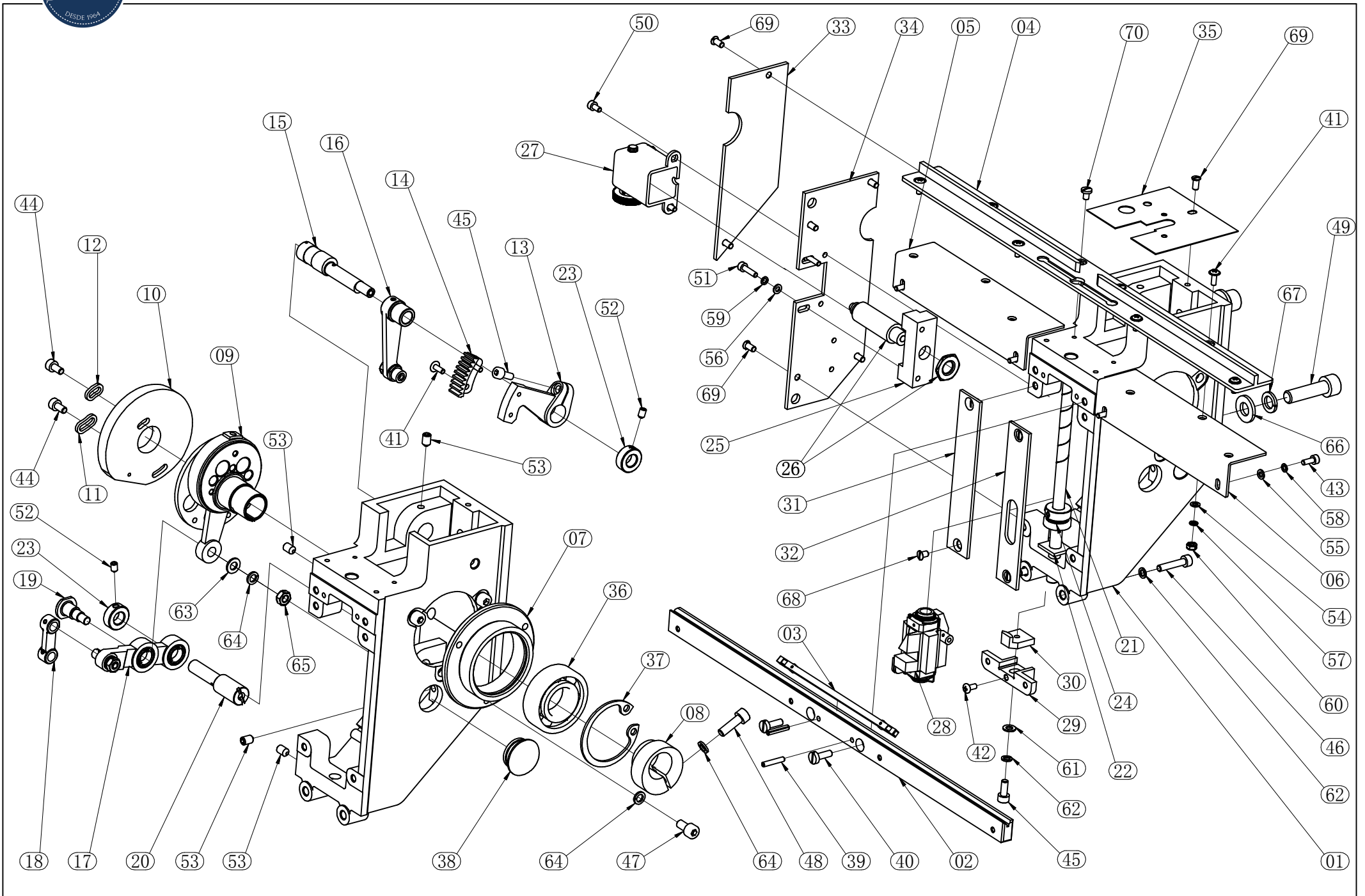




## Table

No	Part Number	Description
1	02701001	base back cover
2	02701002	base back cover-coder
3	02701051	trimming box cover
4	02701131	base lower cover-left
5	02701132	base lower cover
6	02701139	base lower cover-right
7	02703102	motor cover
8	02730102	table support
9	02730103	rubber cusion
10	02730141	table back cover-left
11	02730142	table back cover-right
12	02730201	table plastic block
13	02730202	lower table block
14	02730203	connecting plate-front
15	02730301	rack support base
16	02730304	table support bracket
17	02730312	upper table support
18	02730313	lower table support
19	21234101	table-A
20	21234102	table-Z
21	21234111	table- back A
22	21234112	table-back Z
23	21234121	table- front A

No	Part Number	Description
24	21234122	table-front Z
25	80700121	4x16 screw
26	80700302	3x12 screw
27	80746406	M4x6 screw
28	80810516	M5x16 screw
29	80813410	M4x10 screw
30	80813512	M5x12 screw
31	80813516	M5x16 screw
32	80813610	M6x10 screw
33	80860510	M5x10 screw
34	80900513	M5 spring washer
35	80900801	M8 plain washer
36	80900811	M8 spring washer
37	80900821	M8 hexagon nut
38	80920401	M8x35 talbe support bolt

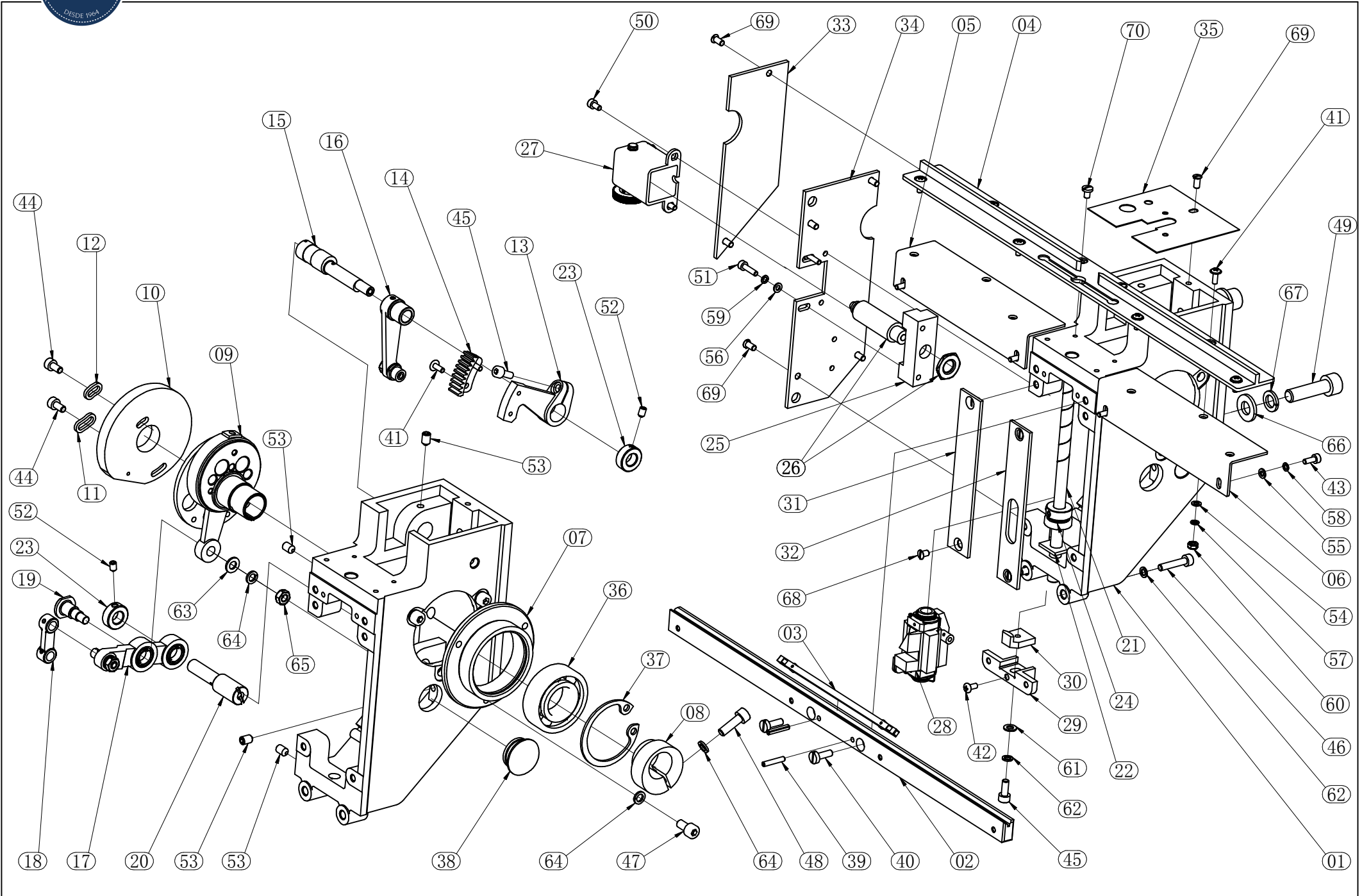




## Arm-1

No	Part Number	Description
1	01200101	aluminium shell
2	01200902	needle bar guide rail
3	01200904	needle bar slide set
4	01200911	take-up guide plate
5	01200912	guide rail holder left
6	01200913	guide rail holder right
7	01201101	bearing base
8	01201105	cam clip bushing
9	01201191	needle bar driving cam set
10	01201301	M3 nylon cam
11	01201302	cam washer A
12	01201303	cam washer B
13	01201305	take-up lever B
14	01201307	semi-gear
15	01201308	eccentric pin
16	01201391	take-up leverA
17	01202191	bearing
18	01202131	needle bar
19	01202141	No.1 pin
20	01202144	No.3 pin
21	01202201	arm driving shaft
22	01202203	oil washer
23	01202204	baffle

No	Part Number	Description
24	01202291	collapsible set
25	01202501	solenoid bracket
26	01202591	solenoid set
27	01202592	solenoid cover
28	01203191	driver-plain
29	01203501	positioning base
30	01203502	positioning hook
31	01204101	left guide plate
32	01204102	right guide plate
33	01204201	chassis back cover
34	01204202	chassis front cover
35	01204231	arm upper cover

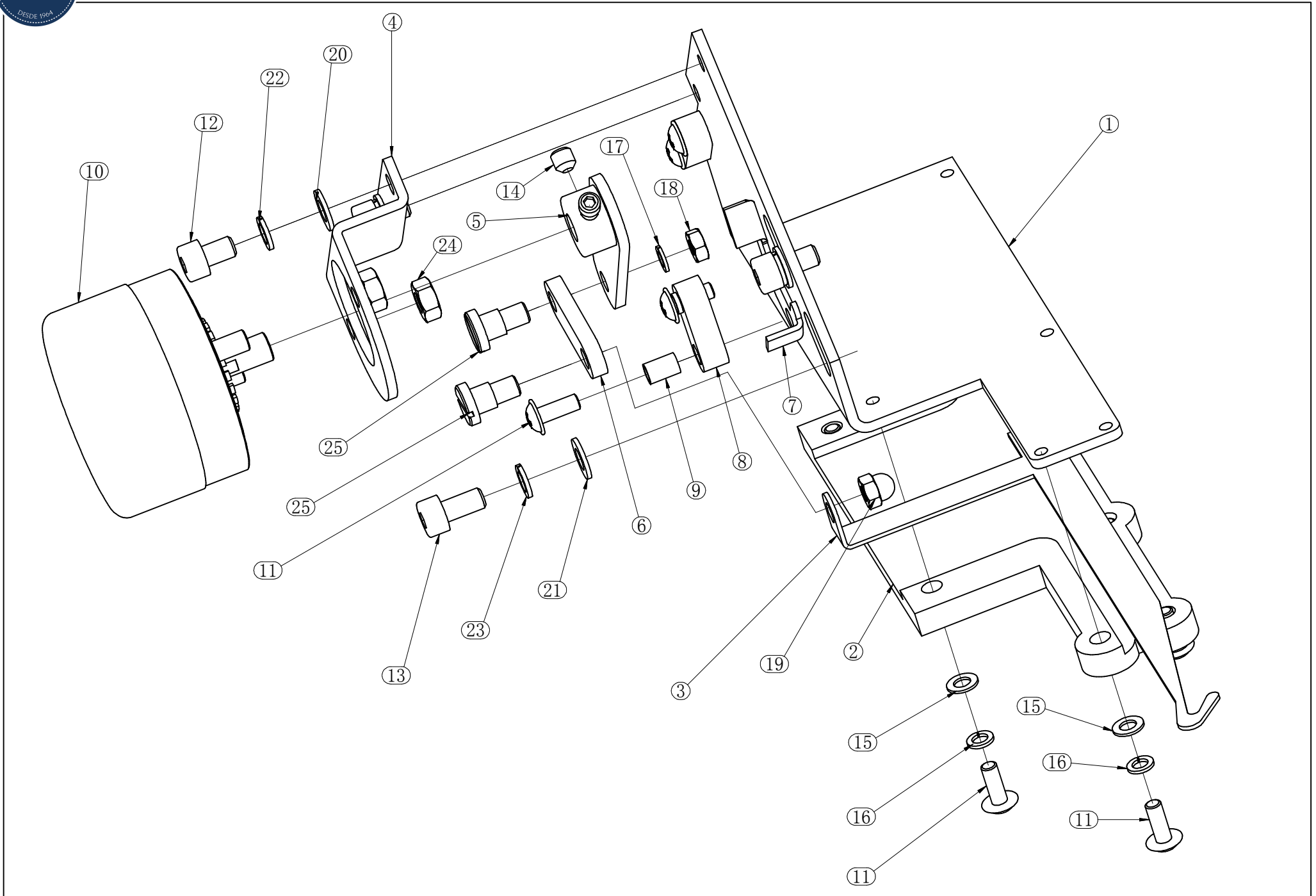




## ARM-2

No	Part Number	Description
36	80032022	42-20-12 bearing
37	80034281	42 spring
38	80220201	18 white plug
39	80685135	3x16 spring spin
40	80730412	M4x12 screw
41	80742308	M3x8 screw
42	80744306	M3x8 screw
43	80810308	M3x8 hexagon cap
44	80810408	M4x8 hexagon cap
45	80810410	M4x10 hexagon cap
46	80810420	M4x20 hexagon cap
47	80810510	M5x10 hexagon cap
48	80810516	M5x16 hexagon cap
49	80810830	M8x30 hexagon cap
50	80813306	M3x6 hexagon cap
51	80813312	M3x12 hexagon cap
52	80880406	M4x6 hexagon screw
53	80880508	M5x8 hexagon screw
54	80900301	M3 plain washer
55	80900303	M3 spring washer
56	80900308	M3 washer
57	80900311	M3 spring washer
58	80900313	M3 spring washer

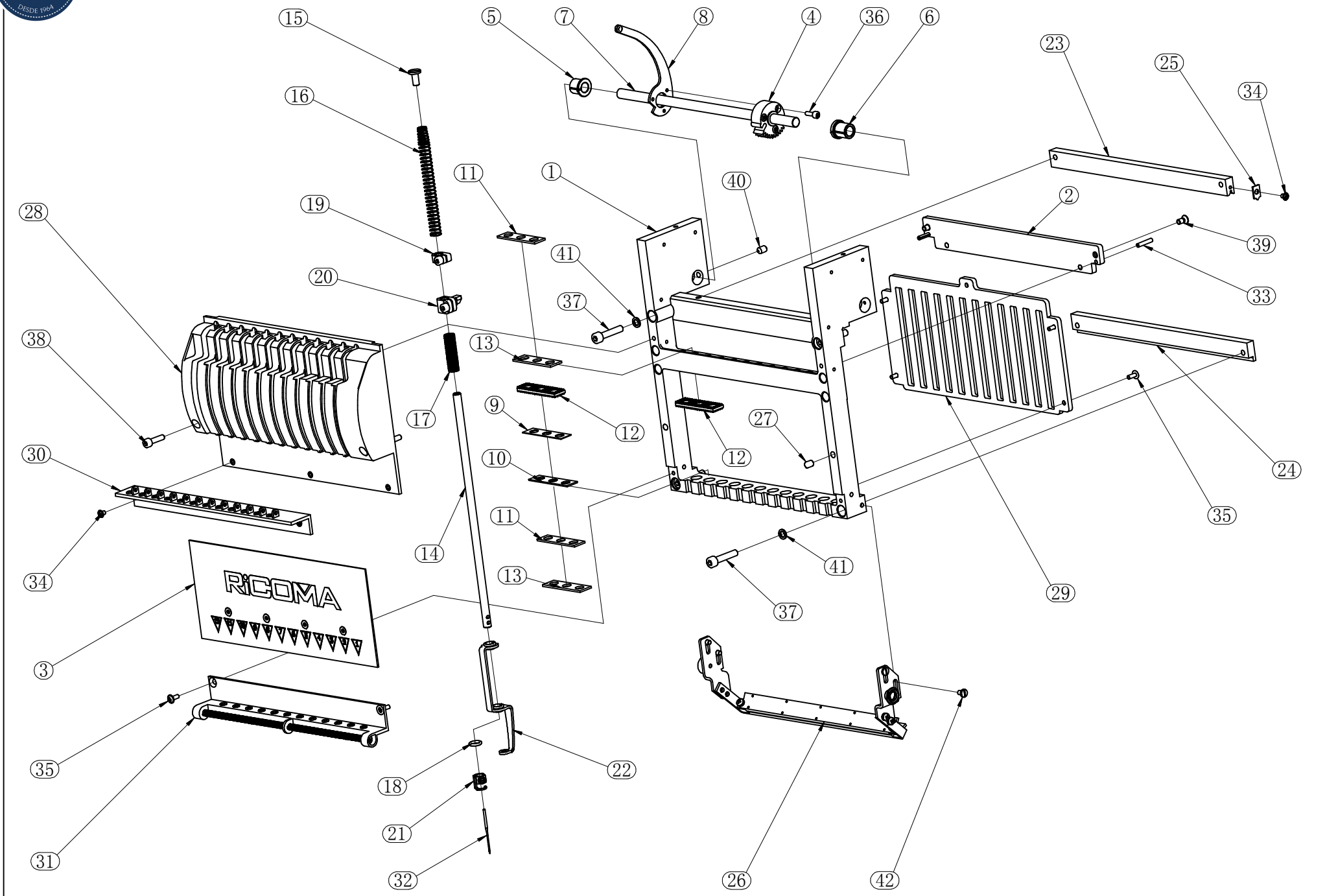
No	Part Number	Description
59	80900318	M3 spring washer
60	80900321	M3 plain nut
61	80900403	M4 plain washer
62	80900413	M4 spring washer
63	80900503	M5 plain washer
64	80900513	M5 spring washer
65	80900523	M5 nut
66	80900801	M8 plain washer
67	80900813	M8 spring washer
68	80924121	9/64x6 screw
69	80924122	9/64x8 screw
70	80924150	9/64x5 screw



## Upper Thread Hook

No	Part Number	Description
1	01430101	hook plate
2	01430102	hook bracket
3	01430103	thread hook
4	01430104	solinoid installation plate
5	01430105	hook driving bar
6	01430106	hook connecting bar
7	01430107	hook stopper
8	01430109	hook baffle
9	01430110	screw box
10	80320202	hook solinod-clockwise
11	80742308	M3x8 screw
12	80810406	M4x6 screw
13	80813408	M3x8 screw
14	80880404	M4x4 hexagon screw
15	80900301	M3 spring washer
16	80900311	M3 washer
17	80900313	M3 spring washer
18	80900321	M3 plain nut
19	80900331	M3 cover nut
20	80900403	M3 plain nut
21	80900408	M4 plain washer
22	80900413	M4 spring washer
23	80900418	M4 spring washer

No	Part Number	Description
24	80900428	M4 nut
25	80924214	M4x4-3x6 bolt



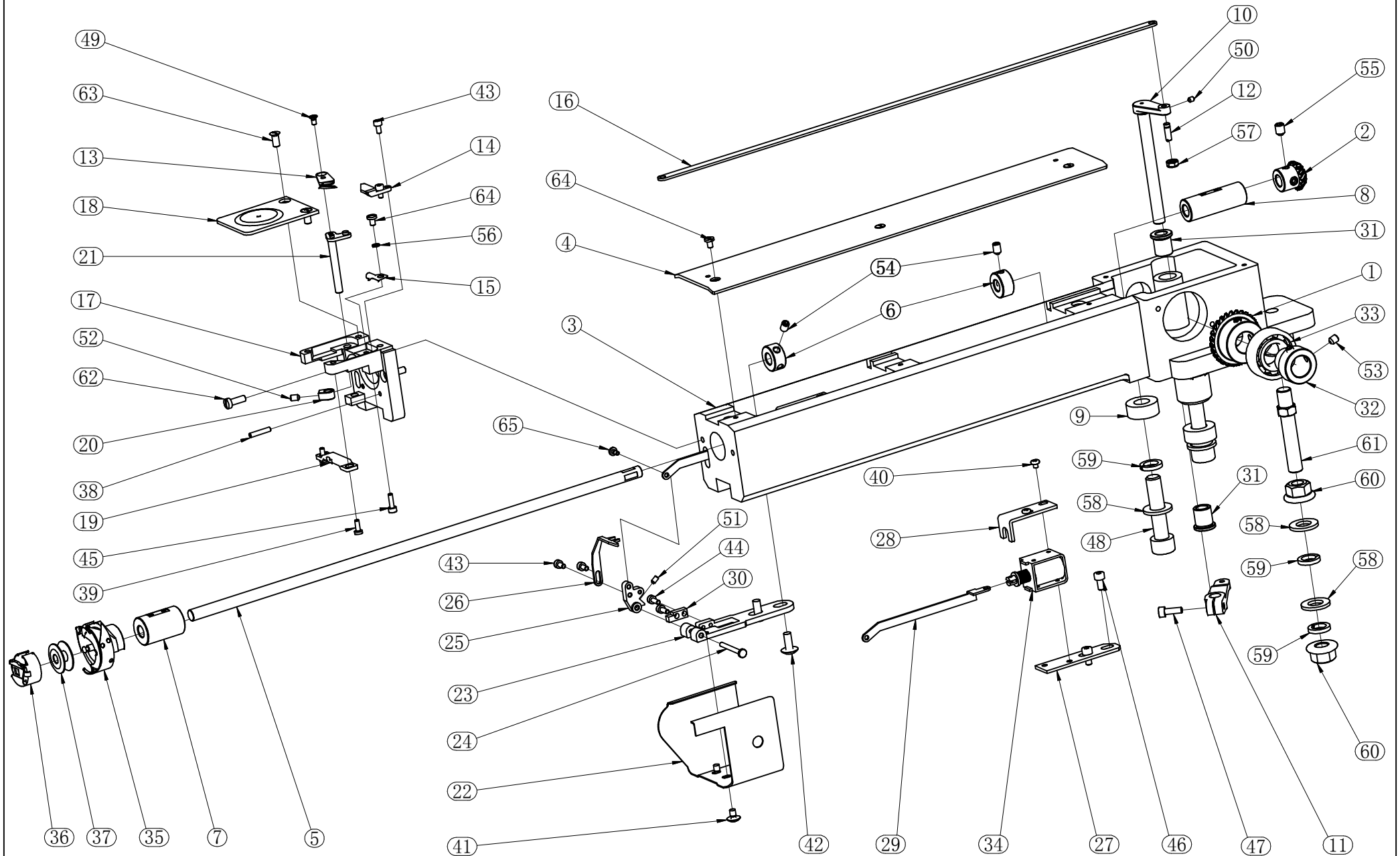




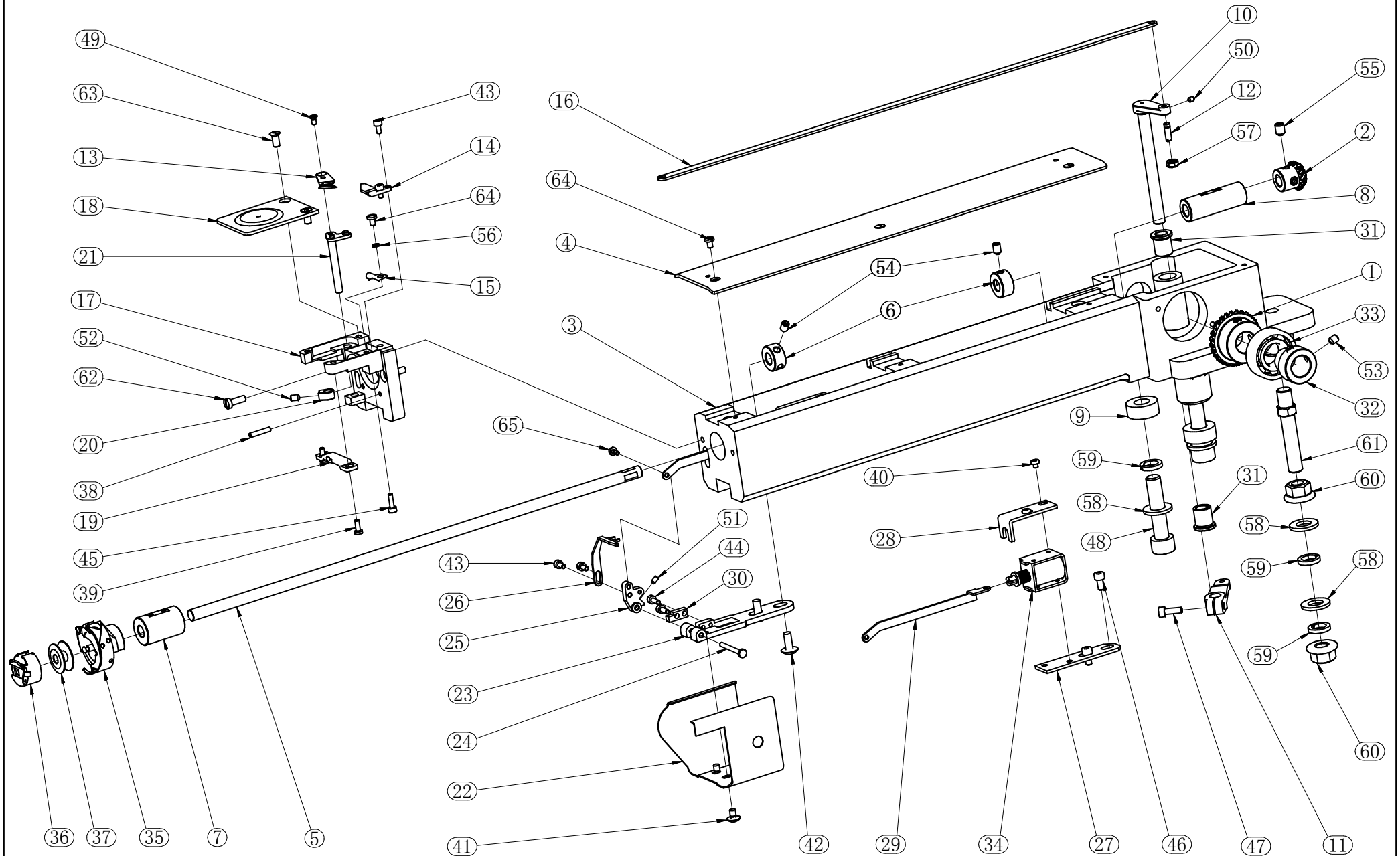
## Needle Bar Case

No	Part Number	Description
1	01221112	needle bar case-JM
2	01221293	roller shaft
3	01221332	front bottom plate
4	01221501	take-up lever
5	01221520	take-up lever bushing-left
6	01221521	take-up lever bushing-right
7	01221532	take-up lever shaft
8	01221581	take-up lever bushing
9	01221601	3 pore cushion-0.5
10	01221602	3 pore cushion-1
11	01221604	3 pore cushion-2
12	01221605	rubber cushion
13	01221606	3 pore cushion
14	01222101	needle bar
15	01222102	needle bar screw
16	01222103	needle bar spring
17	01222108	presser foot spring
18	01222109	presser foot buffer
19	01222192	upper dead point stopper
20	01222193	needle bar connecting stud
21	01222194	bolt
22	01222195	presser foot
23	01223502	upper guide rail

No	Part Number	Description
24	01223512	lower guide rail
25	01223531	slider block
26	01226192	thread clamp
27	01227102	φ5x6 magnet
28	80210221	upper face plate
29	80210621	needle bar guide rail
30	80210781	thread passing
31	80210803	lower thread passing
32	80621101	needle
33	80685135	3x16 spring pin
34	80742304	M3x4 screw
35	80742308	M3x8 screw
36	80810310	M3x10 screw
37	80810525	M5x25 screw
38	80813416	M4x16 screw
39	80860408	M4x8 screw
40	80880508	M5x8 hexagon screw
41	80900513	M5 spring washer
42	80924150	9/64x5 screw





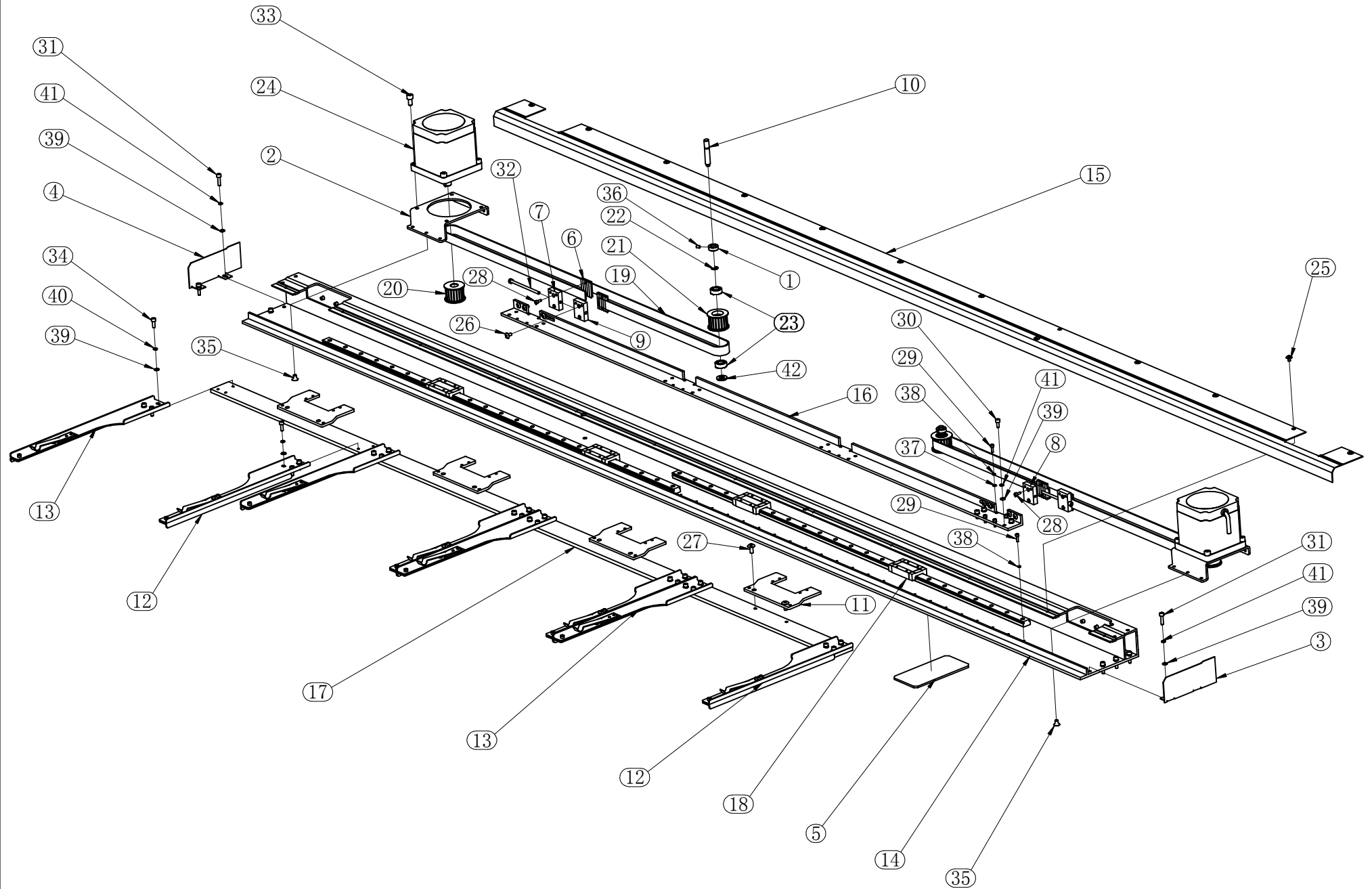




## Rotary Hook Base-2

No	Part Number	Description
32	80031501	bearing case17
33	80031722	35-17-10 bearing
34	80320203	picker solenoid-DC65V
35	80620291	rotary shaft
36	80620301	rotary shaft bushing
37	80620302	rotary shaft core
38	80685135	3x16 spring pin
39	80740308	M3x8 screw
40	80744303	M3x3 screw
41	80746406	M4x6 screw
42	80746512	M5x12 screw
43	80810306	M3x6 screw
44	80810308	M3x8 screw
45	80810310	M3x10 screw
46	80810408	M4x8 screw
47	80810412	M4x12 screw
48	80011045	M10x45 screw
49	80860324	M3x4 screw
50	80880304	M3x4 hexagon screw
51	80880305	M3x5 hexagon screw
52	80880406	M4x6 hexagon screw
53	80880506	M5x6 hexagon screw
54	80880508	M5x8 hexagon screw

No	Part Number	Description
55	80880608	M6x8 hexagon screw
56	80900318	M3 spring washer
57	80900421	M4 nut
58	80901003	M10 plain washer
59	80901013	M10 spring washer
60	80901031	M10 nut
61	80920402	M10x60 nut
62	80924114	1 1/64x12 screw
63	80924132	1 1/64x8 screw
64	80924150	9/64x5 screw
65	80924201	bolt

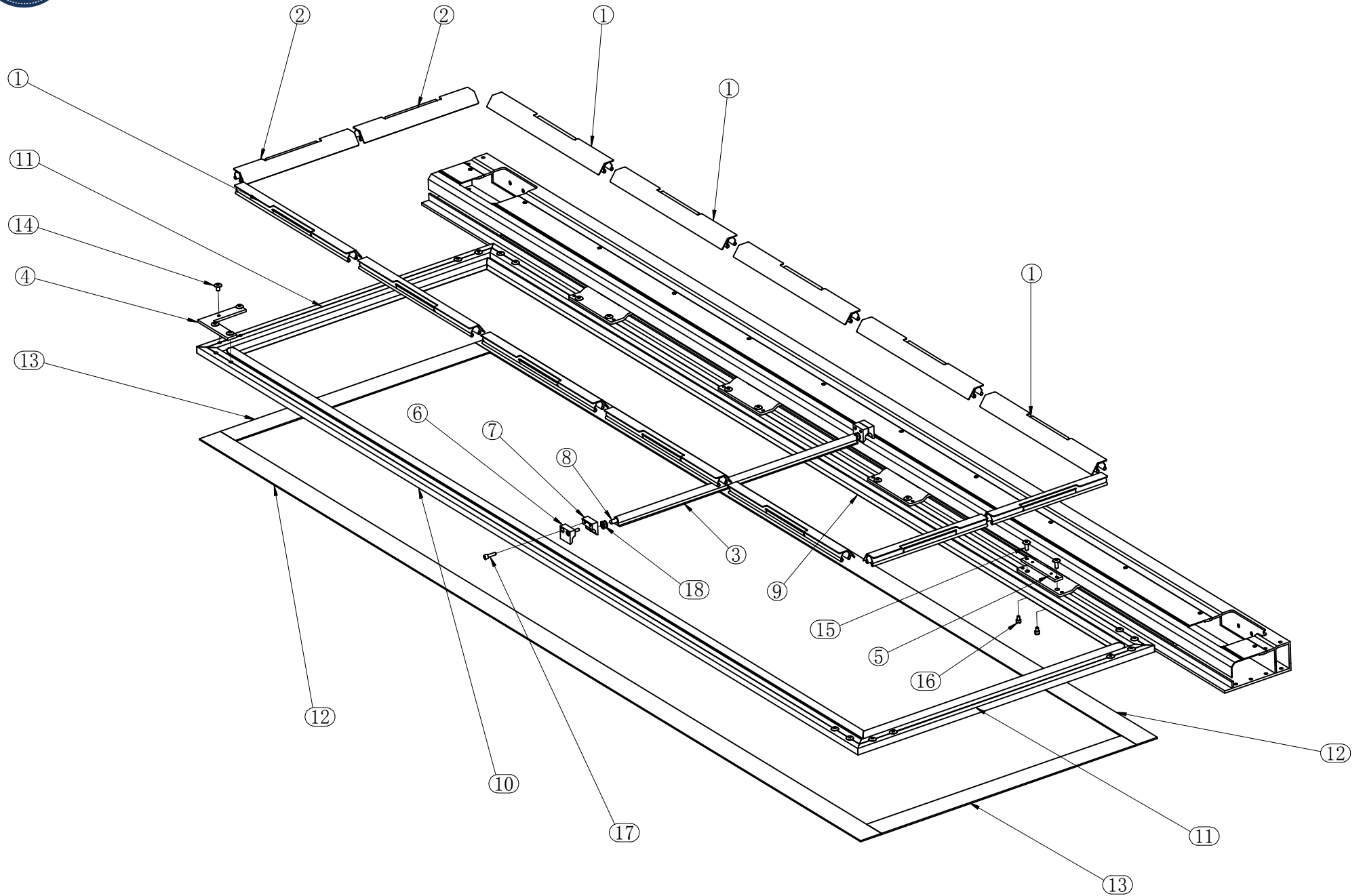




## X-axis Driving A

No	Part Number	Description
1	01202280	baffle
2	02511151	x-axis motor base 90
3	02512203	x-axis shaft cover-right
4	02512204	x-axis shaft cover-left
5	02512205	felt
6	02512221	M5 presser plate
7	02512222	belt adjuston plate
8	02512223	belt adjuston slide plate-right
9	02512224	belt adjuston slide plate-right
10	02512225	axle
11	02513101	x-axis frame connecting plate
12	02540109	frame holder-right
13	02540119	frame holder-left
14	21233101	x-axis driving shaft
15	21233102	x-axis shaft cover
16	21233103	slide presser plate
17	21233104	connecting plate
18	80011153	guide rail-900
19	80025180	x-axis synchronous belt
20	80025201	20-5M-22 T12 belt
21	80025202	20-5M-22 DS19 belt
22	80030671	spring
23	80030822	bearing-19-8-6

No	Part Number	Description
24	80308601	86 stepping motor(86BYGH-28)
25	80746406	M4x6 screw
26	80746408	M4x8 screw
27	80746512	M5x12 screw
28	80810308	M3x8 screw
29	80010310	M3x10 screw
30	80810410	M4x10 screw
31	80810416	M4x16 screw
32	80810470	M4x70screw
33	80810614	M6x14screw
34	80813412	M4x12 screw
35	80866508	M4x8 screw
36	80880406	M4x6 screw
37	80900301	M3 plain washer
38	80900313	M3 spring washer
39	80900401	M4 plain washer
40	80900411	M4 spring washer
41	80900413	M4 spring washer
42	80900801	M8 Plain washer



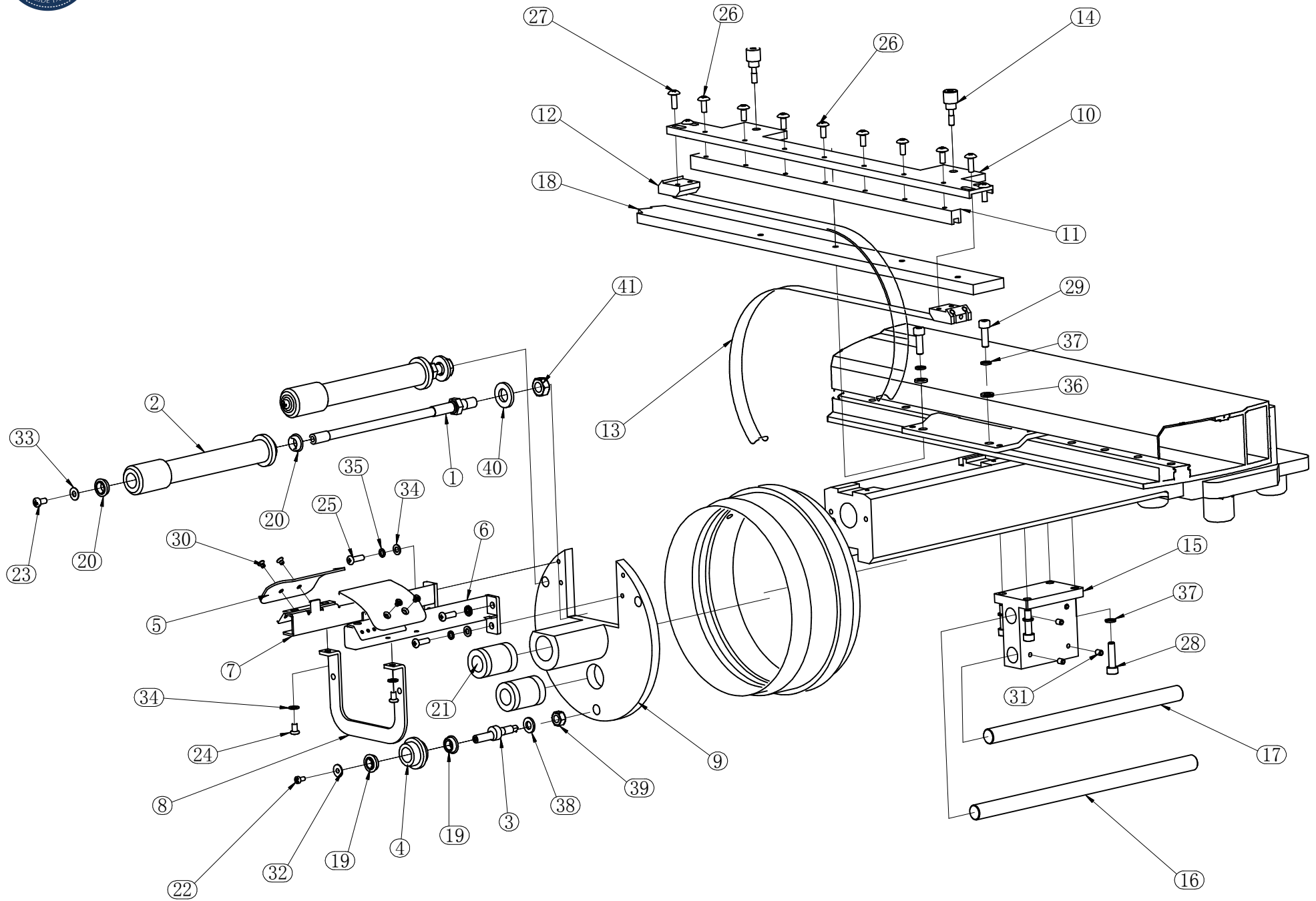




## X-axis Driving B

No	Part Number	Description
1	01505111	300 clip
2	01505112	220 clip
3	02513003	framework-middle
4	02513010	rectangular frame holder
5	02513012	fame inner cushion
6	02513031	clip A
7	02513032	clip B
8	02513033	clip pin
9	21233301	framework-upper
10	21233302	framework-down
11	21233303	framework-left/right
12	21233304	frame felt-horizontal
13	21233305	frame felt-vertical
14	80746508	M5x8 screw
15	80746512	M5x12 scew
16	80810406	M4x6 scew
17	80810416	M4x16 scew
18	80900621	M6 nut

No	Part Number	Description

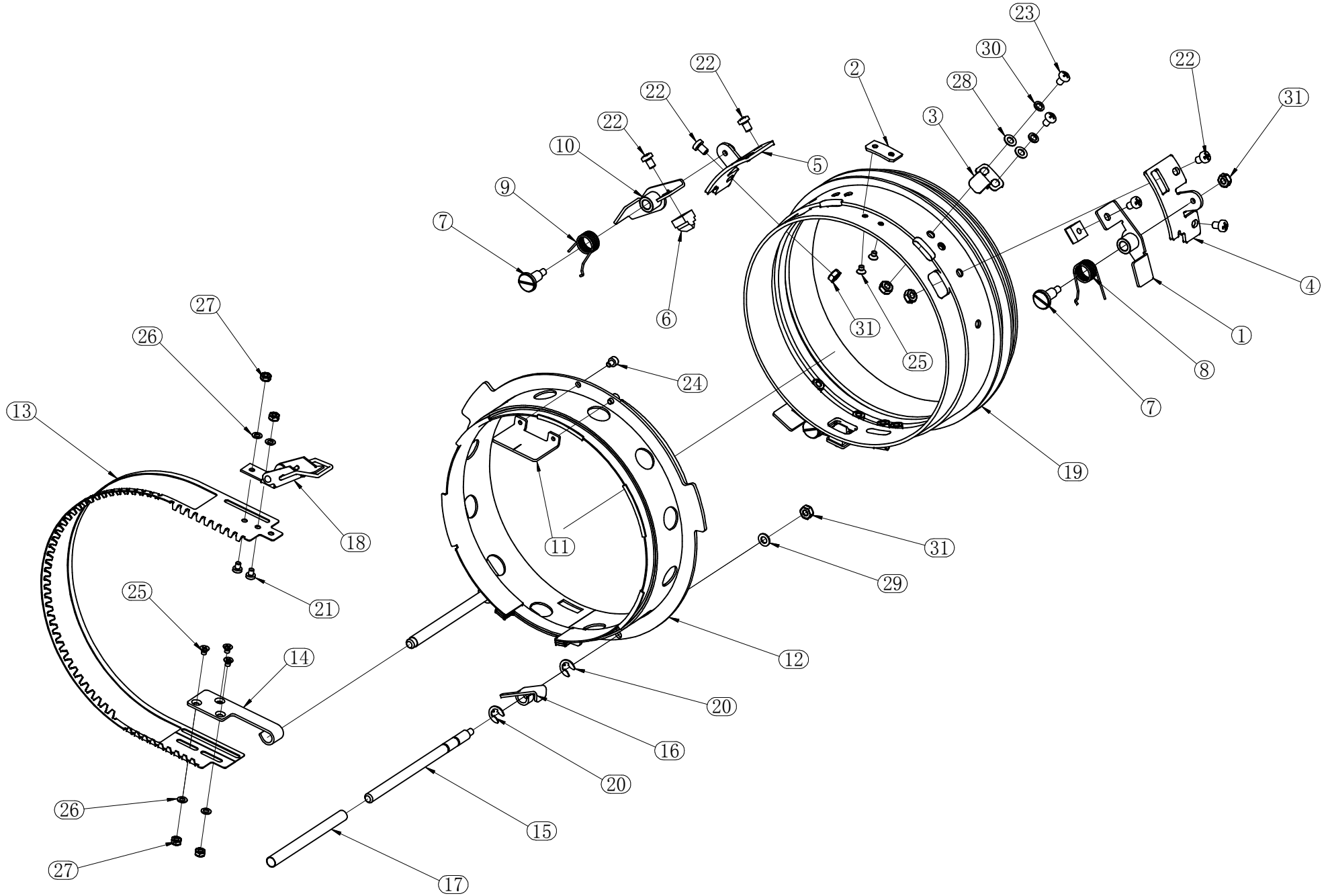




## Heavy Cap Frame

No	Part Number	Description
1	02810102	roller shaft
2	02810103	roller wheel
3	02810105	eccentric pin
4	02810106	cap roller
5	02811203	support
6	02811228	bracket-L
7	02811229	bracket-R
8	02811231	U stand
9	02814105	cap base
10	02814110	cap bracket
11	02814111	guide rail
12	02814112	fixing nob
13	02814114	steel wire
14	02814121	support screw
15	02814151	support base
16	02814152	upper shaft
17	02814153	lower shaft
18	21233105	installation plate
19	80030641	12-6-4 bearing
20	80030842	12-8-6 bearing
21	80031301	linear bearing
22	80740306	M3x6 screw
23	80740408	M4x8 screw

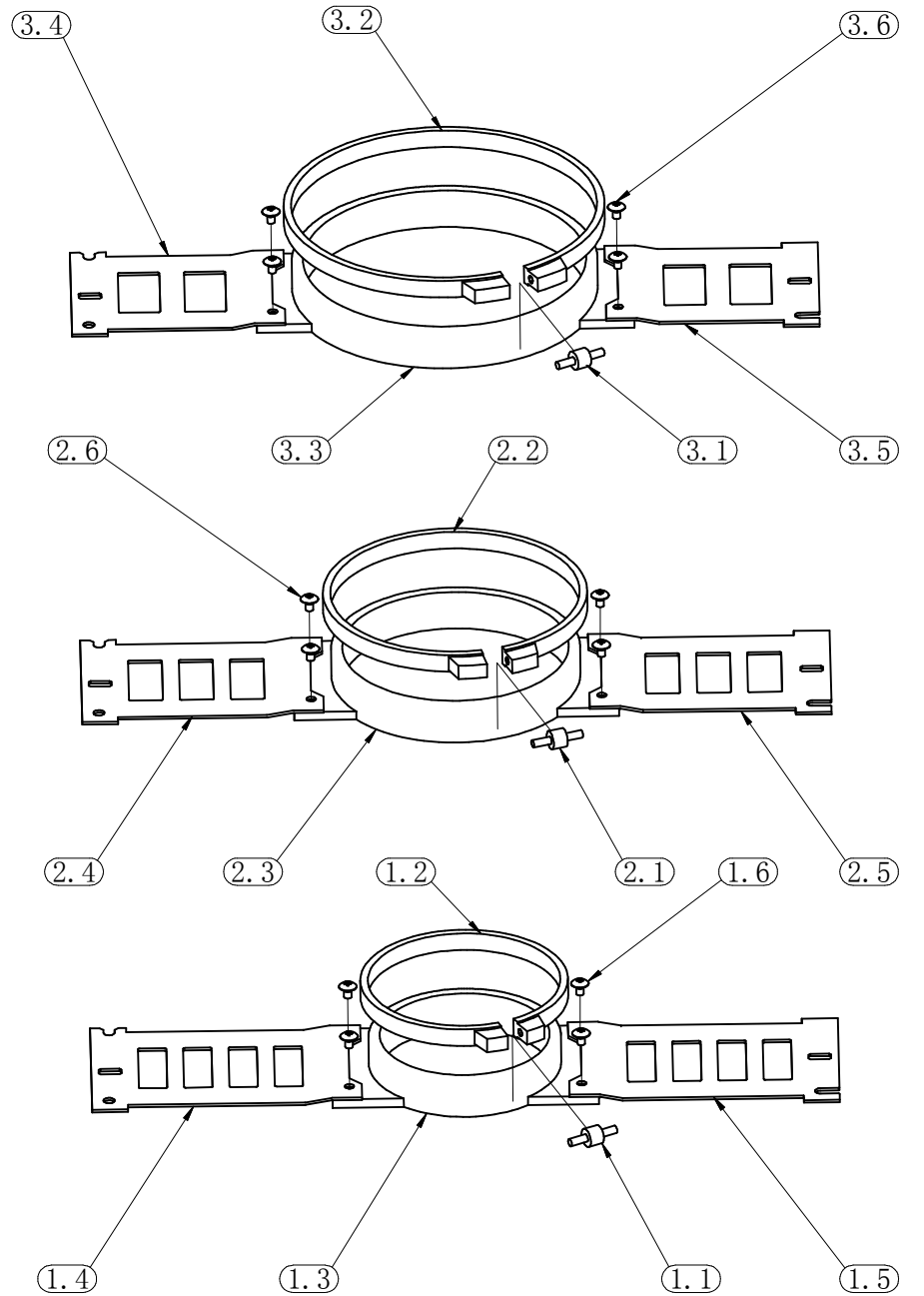
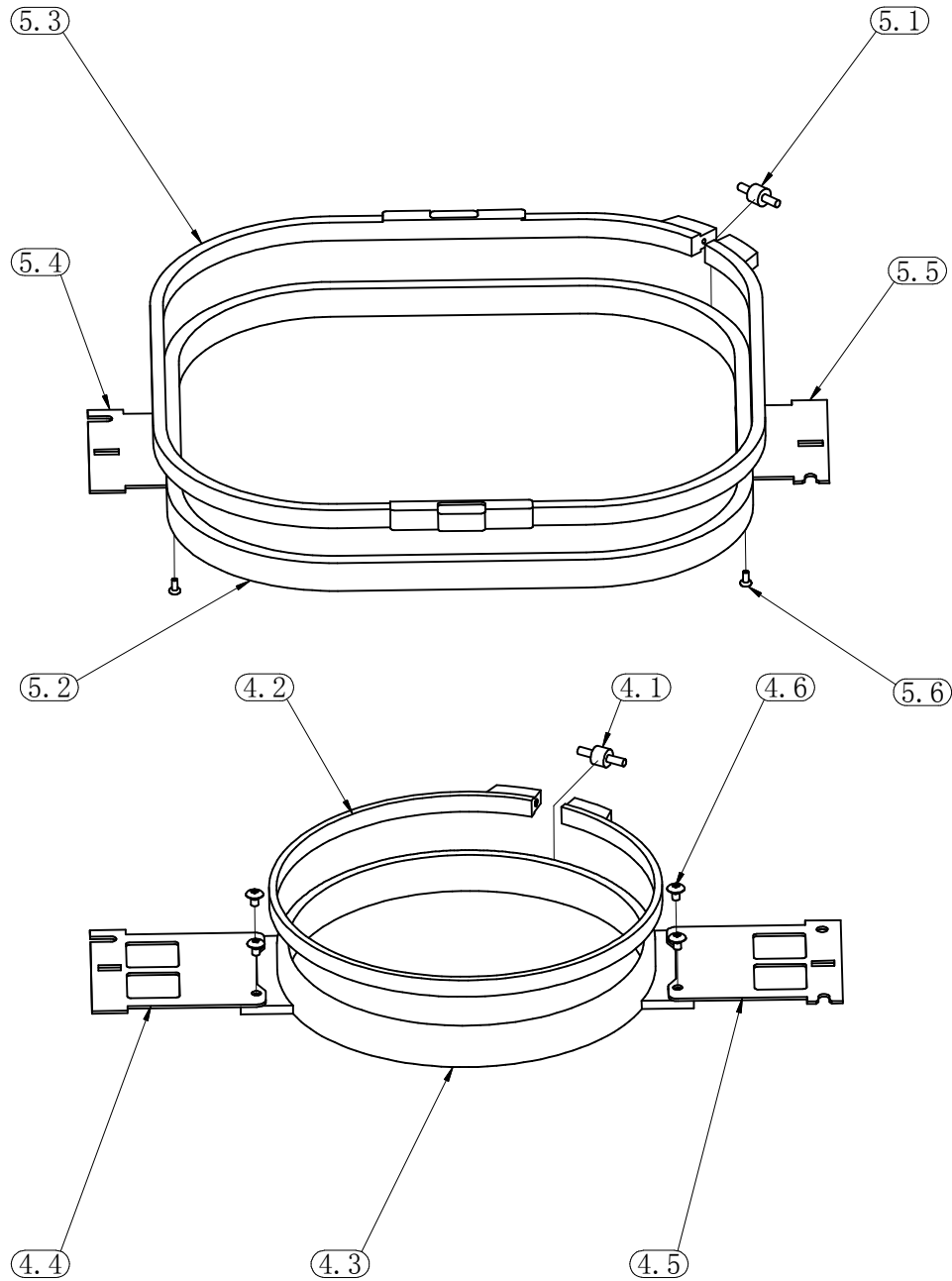
No	Part Number	Description
24	80744406	M4x6 screw
25	80744412	M4x12 screw
26	80746410	M4x10 screw
27	80746412	M4x12 screw
28	80810520	M5x20 screw
29	80813516	M5x16 screw
30	80860304	M3x4 screw
31	80880406	M4x6 screw
32	80900310	M3 washer
33	80900405	M4 plain washer
34	80900408	M4 spring washer
35	80900418	M4 washer
36	80900502	M5 spring washer
37	80900513	M6 washer
38	80900602	M6 spring washer
39	80900621	M6 nut
40	80900802	M8 washer
41	80900821	M8 nut



## Cap Stand Frame

No	Part Number	Description
1	02810203	collet A
2	02810204	positioning block
3	02810205	shrapnel
4	02810211	clamp base A
5	02810212	clamp base B
6	02810213	clamp
7	02810215	screw
8	02810216	collet spring A
9	02810217	collet spring B
10	02810281	collet B
11	02811006	positioning block
12	02811009	clamp ring
13	02811010	cap strapping rod
14	02811011	cap strapping nob
15	02811012	cap clamp bracket
16	02811019	tapered end hook
17	02811031	rubber bushing
18	02811081	tapered end
19	02814113	heavy cap casing
20	80030671	E-ring
21	80740304	M3x4 screw
22	80740406	M4x6 screw
23	80741406	M3x4 screw

No	Part Number	Description
24	80813304	M3x4 screw
25	80860304	M3x4 screw
26	80900301	M3 plain washer
27	80900321	M3 nut
28	80900401	M4 plain washer
29	80900408	M4 plain washer
30	80900411	M4 nut
31	80900421	M4 washer

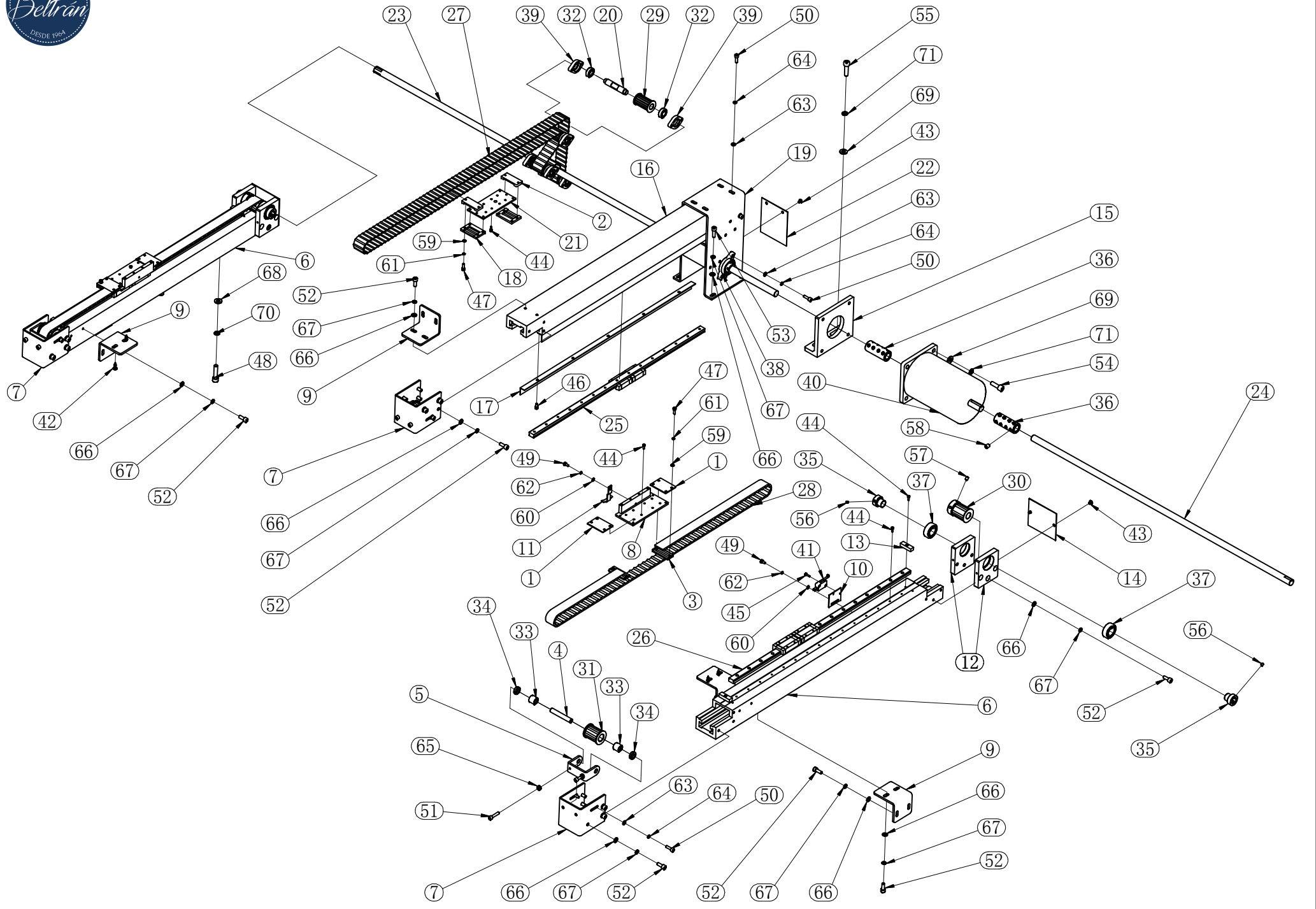




## Frame

No	Part Number	Description
1	02540280	90frame
1.1	02540201	90 outside frame
1.2	02540202	90 inner frame
1.3	02540105	pin
1.4	02540204	90 flat board-left
1.5	02540205	90 flat board-right
1.6	80746406	M4x6 screw
2	02540380	120 frame
2.1	02540301	120 outside frame
2.2	02540302	120 inner frame
2.3	02540105	pin
2.4	02540304	120 flat board-left
2.5	02540305	120 flat board-right
2.6	80746406	M4x6 screw
3	02540480	150 frame
3.1	02540401	150 outside frame
3.2	02540402	150 inner frame
3.3	02540105	pin
3.4	02540404	150 flat board-left
3.5	02540405	150 flat board-right
3.6	80746406	M4x6 screw
4	02540580	190 frame
4.1	02540501	190 outside frame

No	Part Number	Description
4.2	02540502	190 inner frame
4.3	02540105	pin
4.4	02540504	190 flat board-left
4.5	02540505	190 flat board-right
4.6	80746406	M4x6 screw
5	02540680	290 frame
5.1	02540601	290 outside frame
5.2	02540602	290 inner frame
5.3	02540105	pin
5.4	02540604	290 flat board-left
5.5	02540605	290 flat board-right
5.6	80744306	M3x6 screw



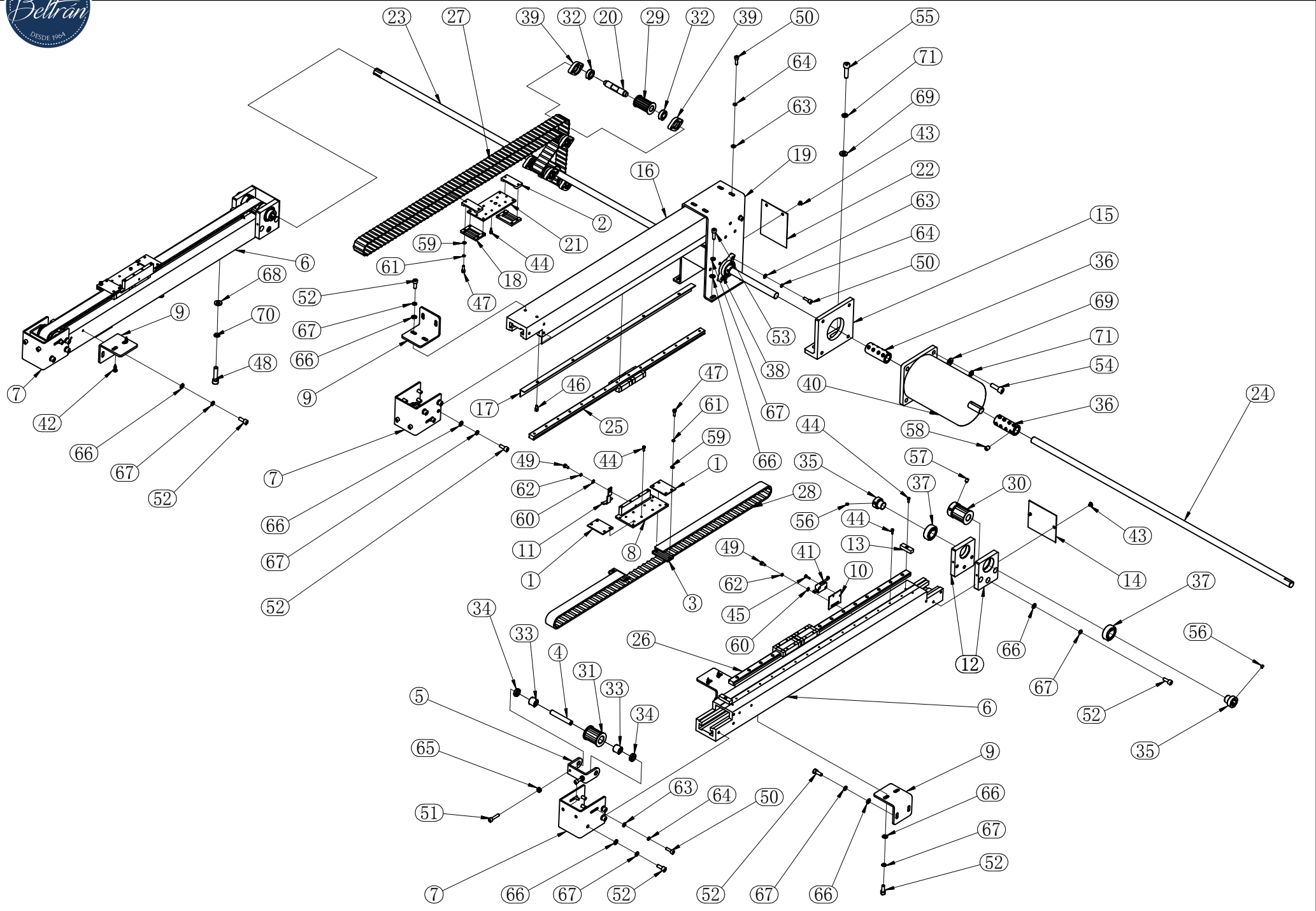




## Y-axis Driving-1

No	Part Number	Description
1	02520120	belt catcher plate connecting board
2	02520121	belt catcher-Y
3	02520122	belt catcher-5M-Y
4	02522101	Y-axis drive shaft
5	02522102	Y-axis drive shaft bracket
6	02522111	Y-axis frame rail(left/right)
7	02522121	Y-axis drive front cover
8	02522123	belt presser plate
9	02522124	Y-axis drive support
10	02522125	limit installation board
11	02522126	Y-axis limit block
12	02522130	Y-axis bearing base
13	02522131	guide rail limit plate
14	02522133	drive back cover
15	02522142	Y-axis motor rack-110
16	02523101	middle guide rail
17	02523112	driving rail cover-left right
18	02523122	belt upper presser plate
19	02523130	middle drive support
20	02523131	middle drive shaft 10-13
21	02523151	belt presser plate-middle
22	02523152	middle drive back cover
23	21235204	Y-axis back shaft A

No	Part Number	Description
24	21235205	Y-axis back shaft B
25	80011150	guide rail-580
26	80011151	guide rail-600
27	80025131	middle drive belt
28	80025181	synchronous belt
29	80025210	16-5M-40-13 strap pulley E
30	80025223	20-5M-36-15 strap pulley A
31	80025226	20-5M-36-YDB strap pulley F
32	80031024	bearing 22-10-6
33	80031031	rolling bearing 17-10-15
34	80031061	nylon cusion-18-10-4
35	80031501	bearing bushing 17

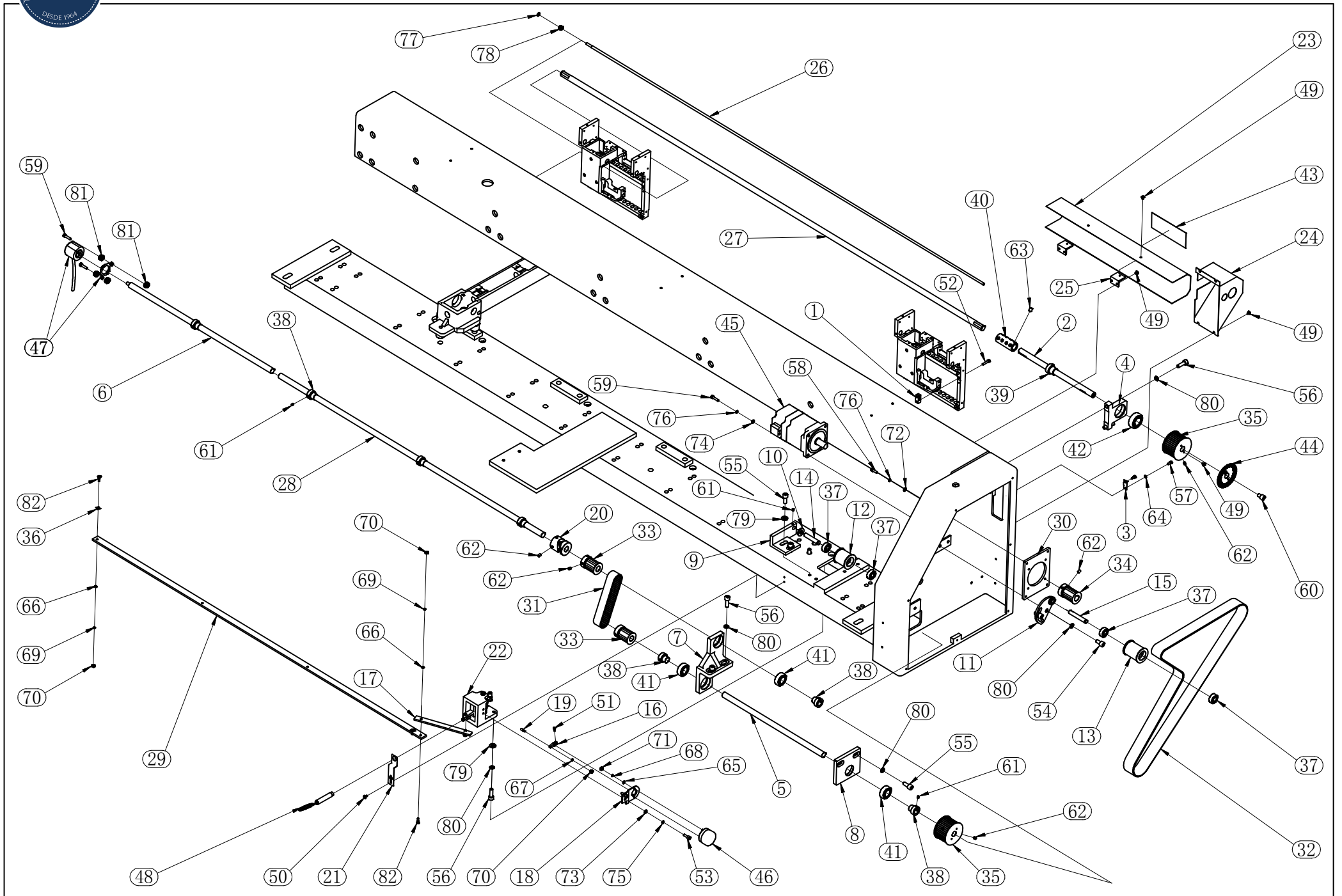




## Y-axis Driving-2

No	Part Number	Description
36	80031511	bearing bushing 15
37	80031722	35-17-10 bearing
38	80039011	bearing UFL002
39	80039122	bearing base
40	80301102	stepping motor 110BYG350
41	80351101	limit switch
42	80700121	4x16 screw
43	80746406	M4x6 screw
44	80810308	M3x8 screw
45	80810310	M3x10 screw
46	80810408	M4x8 screw
47	80810412	M4x12 screw
48	80810835	M8x35 screw
49	80813408	M4x8 screw
50	80813516	M5x16 screw
51	80813525	M5x25 screw
52	80813616	M6x16 screw
53	80813620	M6x20 screw
54	80813825	M8x25 screw
55	80813830	M8x30 screw
56	80880506	M5x6 hexagon bolt
57	80880608	M6x8 screw
58	80880808	M8x8 screw

No	Part Number	Description
59	80900403	M4 plain washer
60	80900408	M4 washer
61	80900413	M4 spring washer
62	80900418	M4 spring washer
63	80900508	M5 plain washer
64	80900518	M5 spring washer
65	80900521	M5 nut
66	80900608	M6 plain washer
67	80900618	M6 spring washer
68	80900803	M8 plain washer
69	80900808	M8 washer
70	80900813	M8 spring washer
71	80900818	M8 spring washer

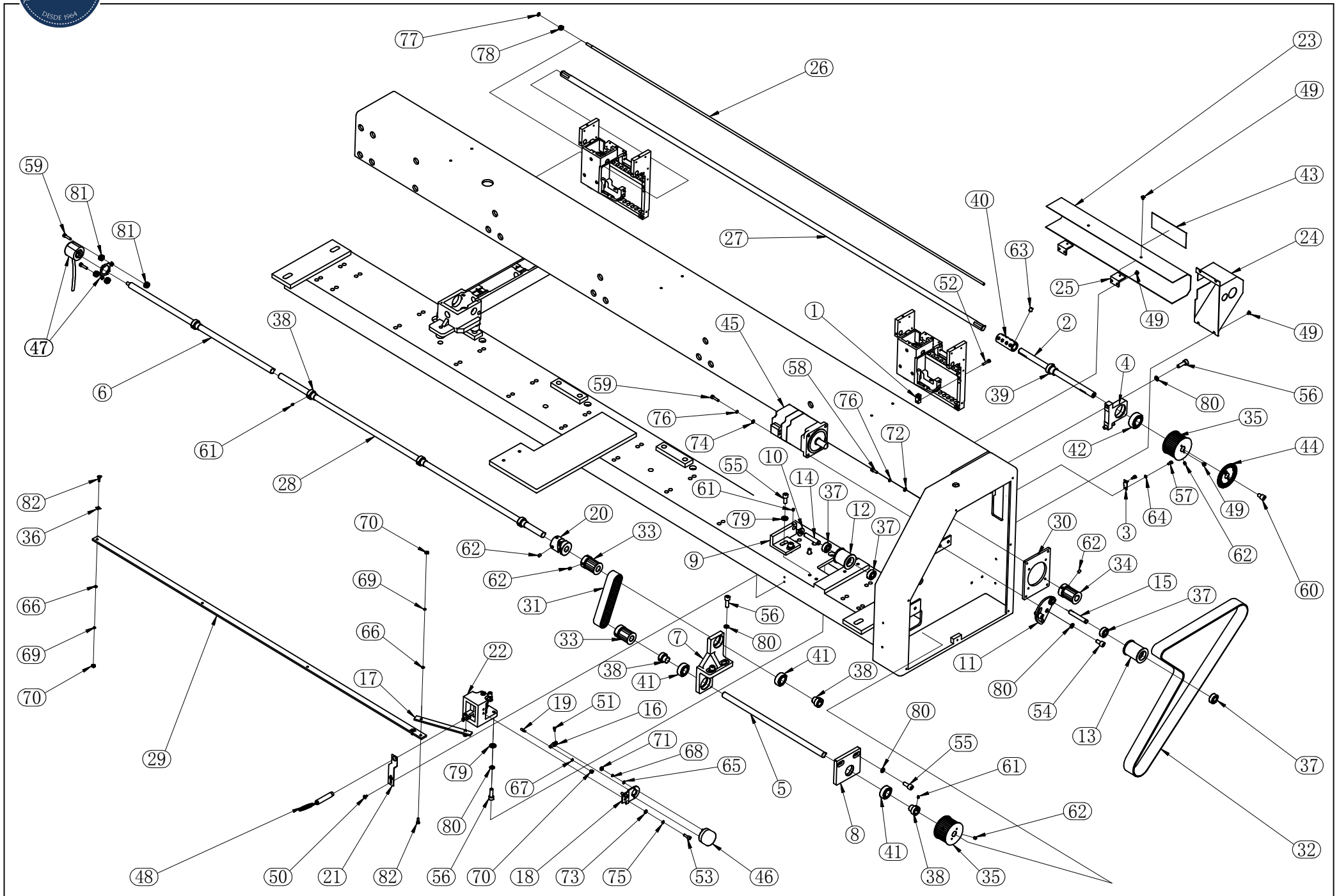




## Driving Shaft-1

No	Part Number	Description
1	01221401	color-change positioning plate
2	02311101	upper shaftZ
3	02311102	dial index
4	02311111	42 bearing bracket
5	02312101	lower shaft Z
6	02312102	coder shaft-540
7	02312112	bearing plate
8	02312113	bearing base
9	02312120	tension base
10	02312121	tension pulley block
11	02313103	tension support
12	02313110	36 tension pulley
13	02313111	46 tension pulley
14	02313112	tension shaft-53
15	02313113	tension shaft-63
16	02400104	trimming driving bar
17	02400110	trimming connecting bar
18	02400120	trimming solenoid plate
19	02400123	roller-6 sets
20	02400139	trimming cam
21	02400151	switch bracket
22	02400181	trimming case cam
23	02702101	shafte cover-480

No	Part Number	Description
24	02702102	shaft bearing cover
25	02702105	shaft bracket
26	21235101	bar shaft
27	21235201	upper shaft
28	21235203	lower shart
29	21235211	Drive coupler
30	21810231	70-90 motor base
31	80025112	350-5M-25 synchronous belt
32	80025122	1350-5M-25synchronous belt
33	80025223	20-5M-36-15strap pulley A
34	80025224	20-5M-40-16 strap pulley B
35	80025241	40-5M-40-15strap pulley A
36	80030562	copper washer
37	80031022	bearing
38	80031501	bearing case 17
39	80031502	bearing case 20
40	80031511	bearing case 15
41	80031722	35-17-10 bearing

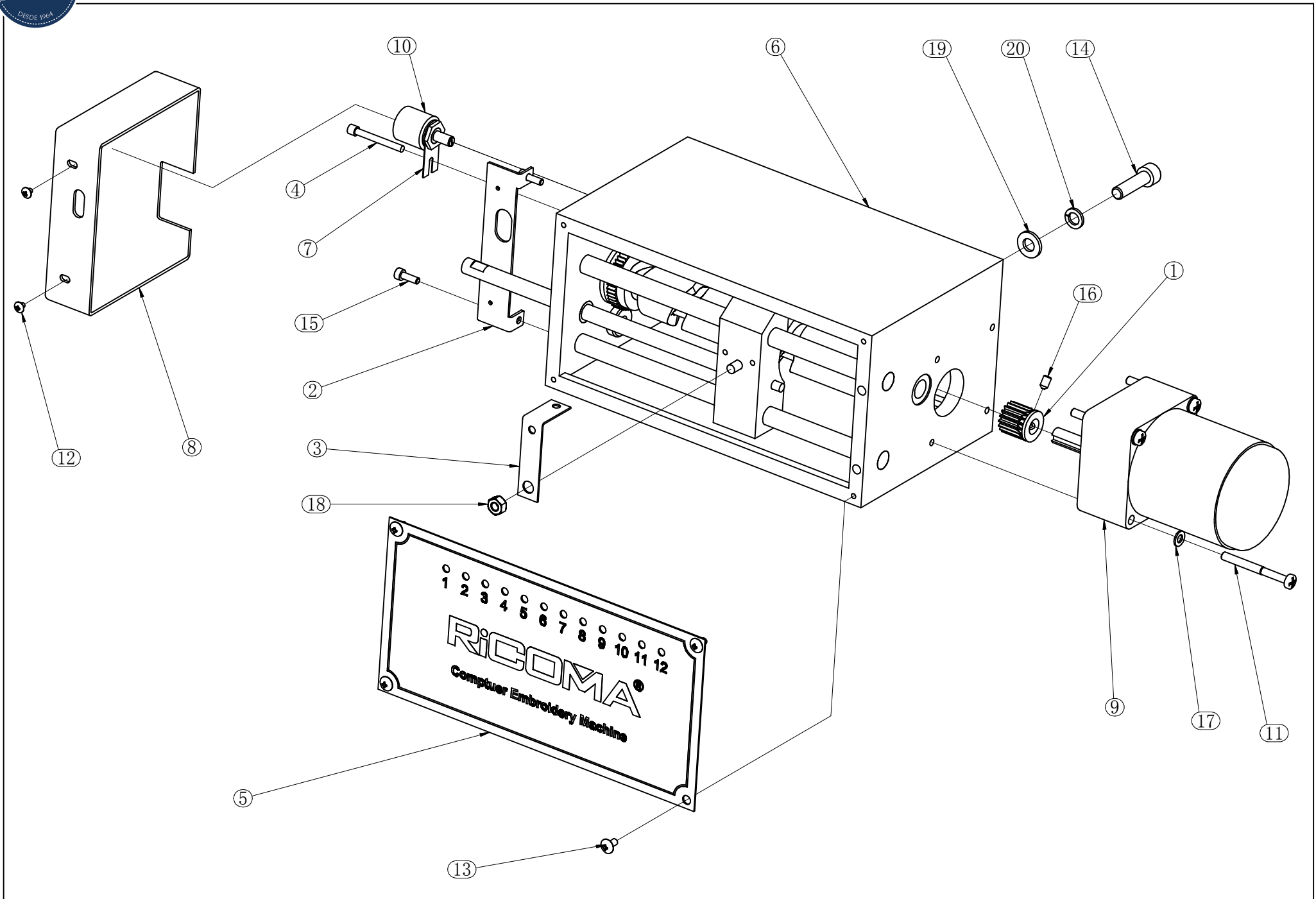




## Driving Shaft-2

No	Part Number	Description
42	80032022	42-20-12 bearing
43	80050101	70 dial
44	80050606	warning logo B
45	80310852	servo motor 80BL(4)A-50
46	80320206	trimming solenoid
47	80330101	coder
48	80333602	close switch
49	80746406	M4x6 screw
50	80746408	M4x8 screw
51	80810308	M3x8 screw
52	80810420	M4x20 screw
53	80810516	M5x16 screw
54	80810816	M8x16 screw
55	80810820	M8x20 screw
56	80810825	M8x25 screw
57	80813408	M8x25 screw
58	80813514	M5x14 screw
59	80813520	M5x20 screw
60	80813812	M8x12 screw
61	80880506	M5x6 hexagon bolt
62	80880608	M6x8 hexagon screw
63	80880808	M8x8 hexagon screw
64	80900401	M4 plain washer

No	Part Number	Description
65	80900404	M4 washer
66	80900408	M4 washer
67	80900411	M4 spring washer
68	80900413	M4 spring washer
69	80900418	M4 spring washer
70	80900421	M4 nut
71	80900423	M4 nut
72	80900501	M5 plain washer
73	80900503	M5 plain washer
74	80900508	M5 washer
75	80900513	M5 spring washer
76	80900518	M5 spring washer
77	80900618	M6 spring washer
78	80900628	M6 nut
79	80900803	M8 plain washer
80	80900813	M8 spring washer
81	80900828	M8 nut
82	80924210	M4x12-5x5.5 bolt



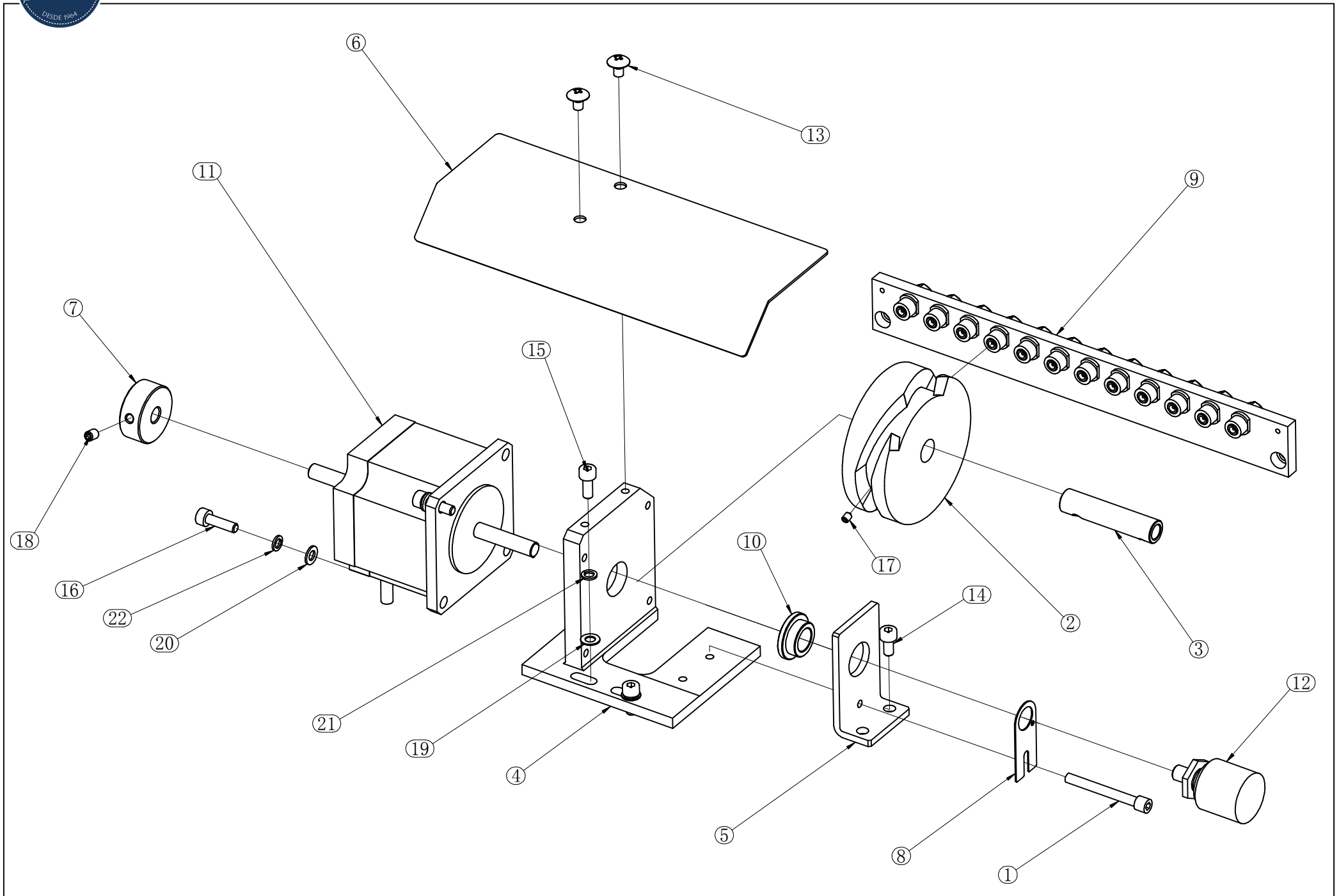




## Color-Change Box

No	Part Number	Description
1	01290902	motor driving gear-18
2	01290903	box support
3	01290912	color change indicator bracket
4	01291207	bracket screw
5	01291271	color-change box plate
6	01291292	color-change box
7	03040510	potentiometer support
8	80211002	color-change box plastic cover
9	80320101	color-change motor YN70-15
10	80333702	potentiometer
11	80880508	M5x8 hexagon screw
12	80740535	M5x50 screw
13	80746304	M3x4 screw
14	80746408	M4x8 screw
15	80810830	M8x30 screw
16	80813412	M4x12 screw
17	80900503	M5 plain washer
18	80900621	M6 nut
19	80900803	M8 plain washer
20	80410813	M8 spring washer

No	Part Number	Description

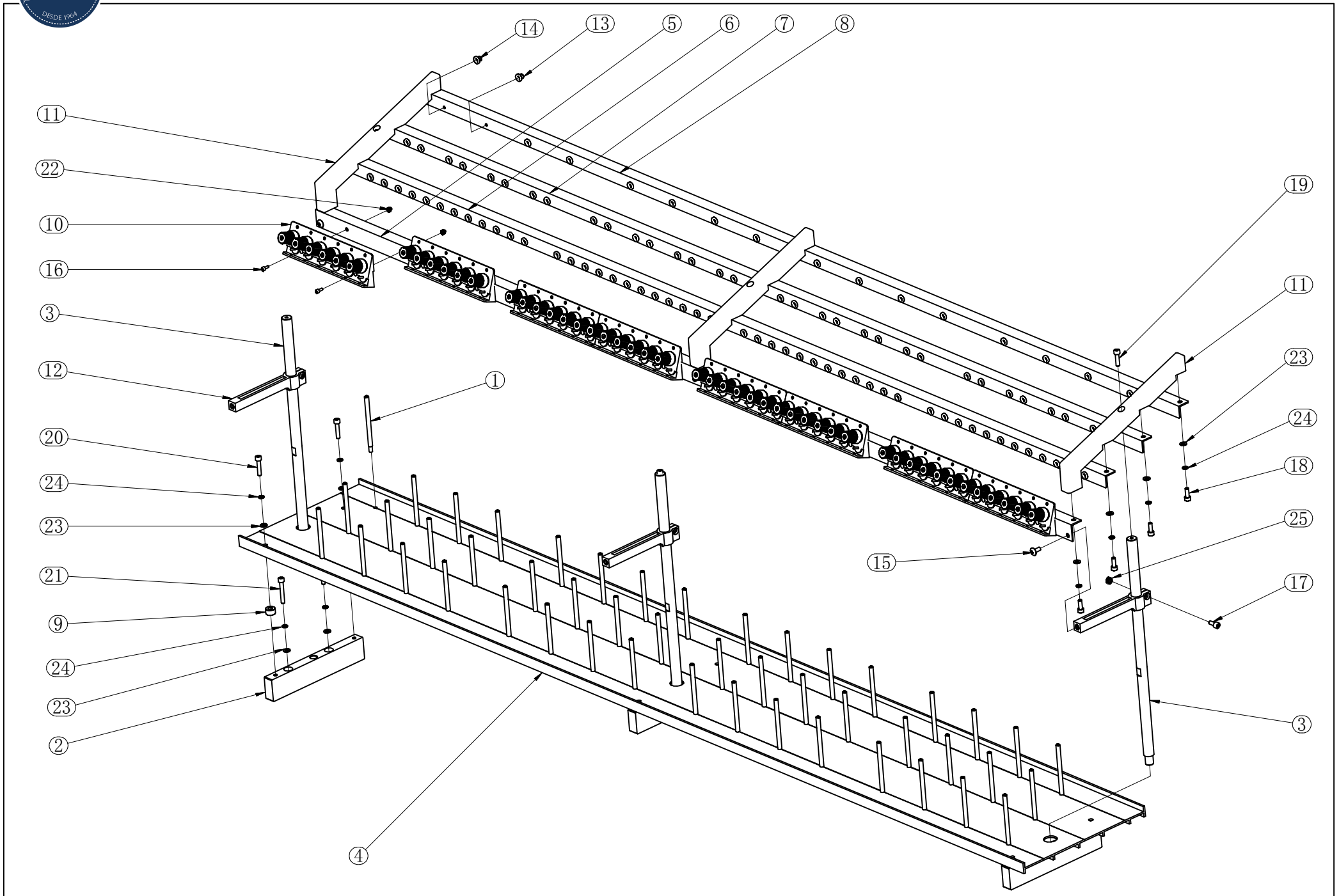




## 2 Head Color-Change Box

No	Part Number	Description
1	01291207	bracket screw
2	01293301	color-change cam
3	01293302	cam bushing
4	01293303	57 color-change base
5	01293304	57 color-change bracket
6	01293305	57 color-change cover
7	01293306	color-change button
8	03040510	potentiometer support
9	03081293	color-change plate set
10	80031003	bushing
11	80305751	57 color-change motor
12	80333702	potentiometer
13	80746406	M4x6 screw
14	80810408	M4x8 screw
15	80810410	M4x10 screw
16	80813414	M4x14 screw
17	80880304	M3x4 hexagon screw
18	80880406	M4x6 hexagon screw
19	80900401	M4 plain washer
20	80900408	M4 washer
21	80900413	M4 spring washer
22	80900418	M4 spring washer

No	Part Number	Description

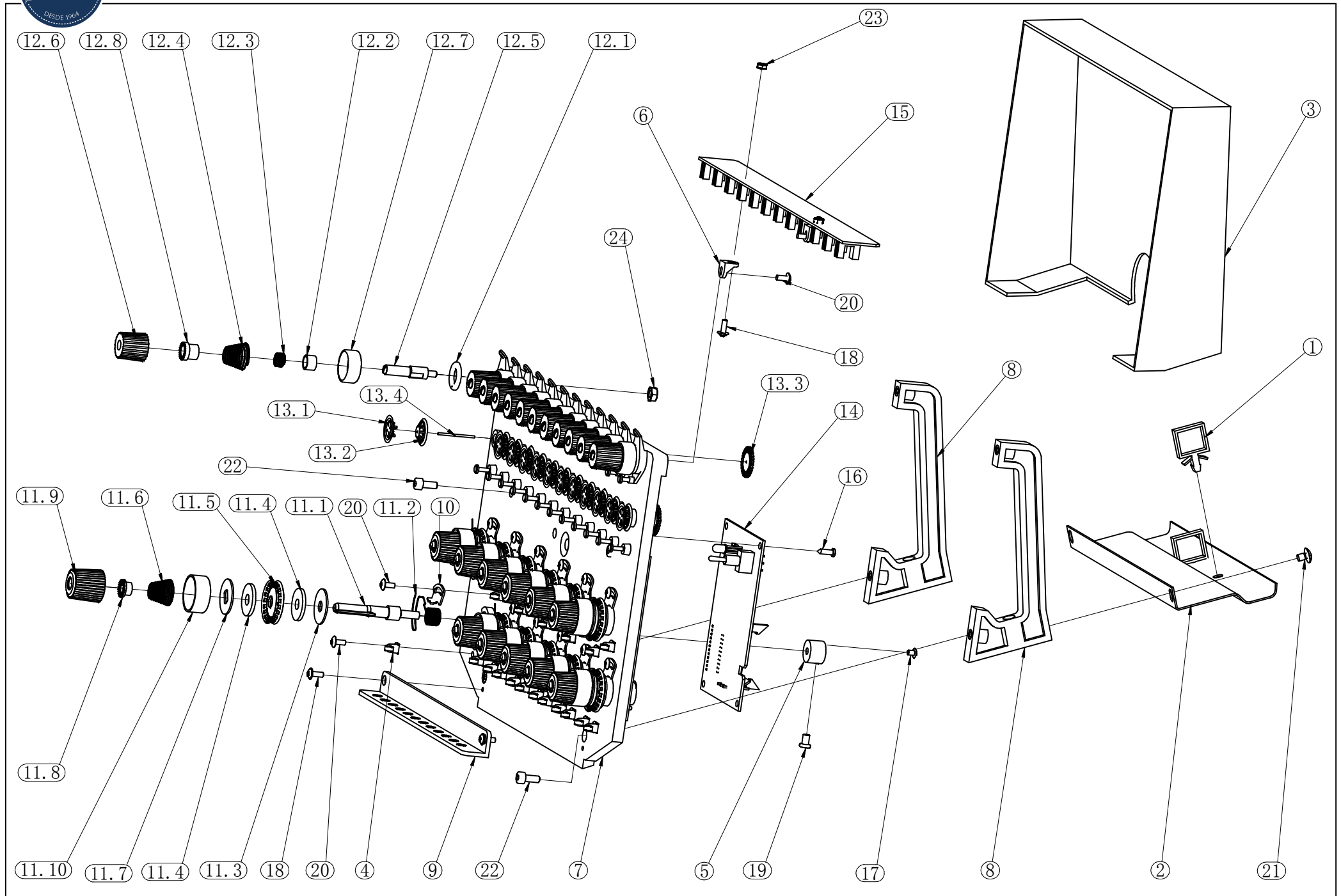




## Thread Stand

No	Part Number	Description
1	01902101	thread stand plate bolt
2	01902103	thread plate cushion
3	01903101	thread stand shaft-350
4	21043111	thread stand plate
5	21043113	thread stand A
6	21043114	thread stand B
7	21043115	thread stand C
8	21043116	thread stand D
9	80030641	nylon washer-6-13-8
10	80210570	thread course stay
11	80211001	thread stand beam
12	80211003	bracket
13	80211005	thread stand bushing-white
14	80211006	thread stand bushing-red
15	80746512	M5x12 screw
16	80813308	M3x8 screw
17	80813512	M5x12 screw
18	80813514	M5x14 screw
19	80813520	M5x20 screw
20	80813525	M5x25 screw
21	80813535	M5x35 screw
22	80900331	M3 nut
23	80900508	M5 plain washer

No	Part Number	Description
24	80900518	M5 spring washer
25	80900521	M5 nut

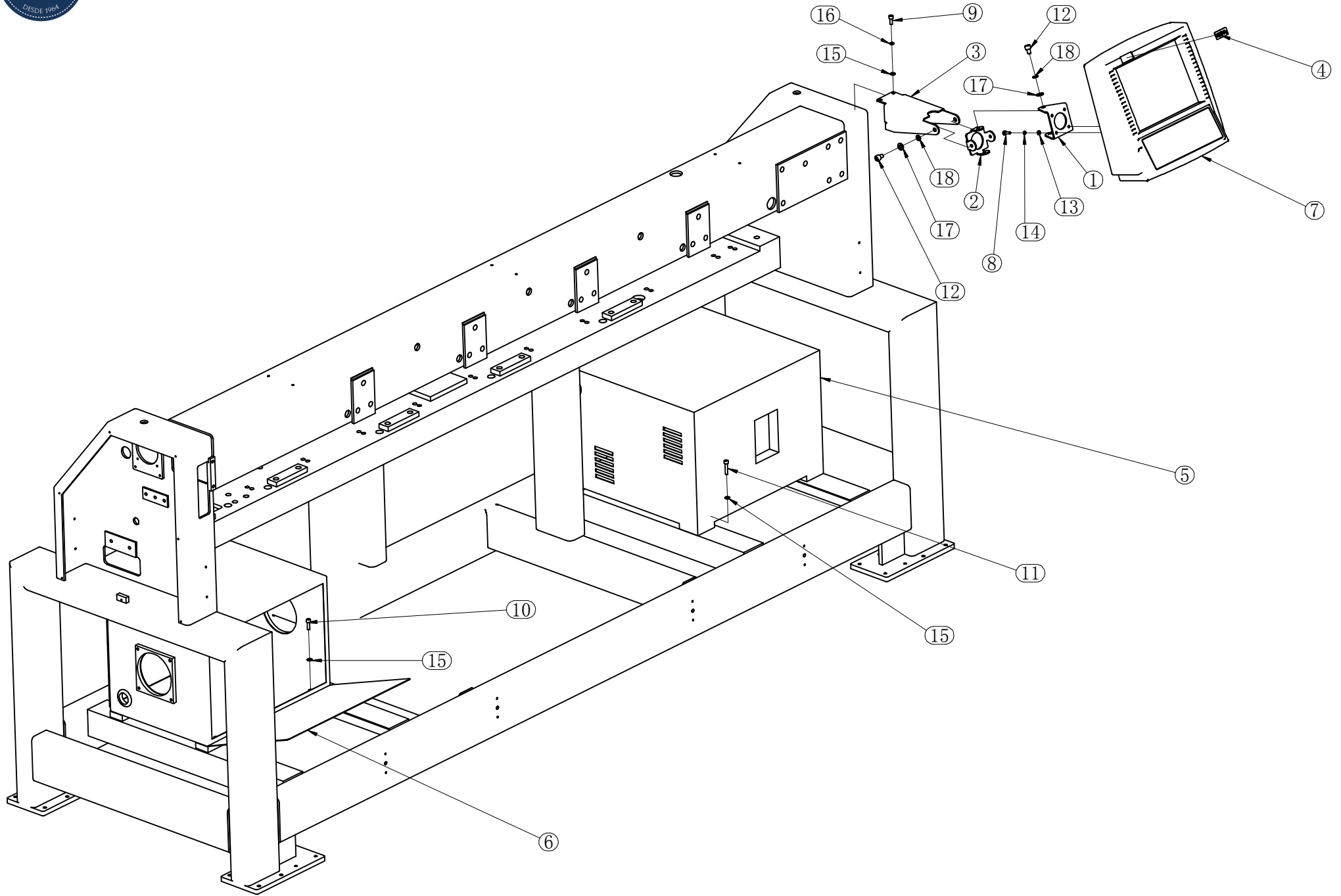




## Thread Tension Plate

No	Part Number	Description
1	01222203	picker bushing
2	01222212	thread support
3	80210103	thread course cover
4	80210104	thread hook
5	80210105	thread break test column
6	80210106	PCB bracket
7	80210181	thread course
8	80210307	long support
9	80210510	upper thread course set
10	80211110	positioning plate
11	80211180	tension set
11.1	80211101	tension bolt
11.2	80211102	take-up spring
11.3	80211103	insulation washer
11.4	80211104	felt washer
11.5	80211105	rubber thread course
11.6	80211106	tension spring
11.7	80211107	tension washer
11.8	80211108	anti-loosing washer
11.9	80211121	tension regulator
11.10	80211122	tension bushing
12	80211281	mode switch
12.1	80211212	thread-clip gasket

No	Part Number	Description
12.2	80211213	iron ring
12.3	80211214	inner spring
12.4	80211215	spring
12.5	80211216	tension screw
12.6	80211217	mode switch
12.7	80211218	thread tension hoop
12.8	80211219	mode button
13	80211371	thread break test column set
13.1	80211301	thread course wheel
13.2	80211302	thread course wheel
13.3	80211303	bottom test wheel
13.4	80211309	thread passing axle
14	80230770	PCB plate
15	80230771	PCB plate
16	80700203	M3x20 screw
17	80742304	M3x4 screw
18	80742308	M3x8 screw
19	80744406	M4x6 screw
20	80746306	M3x6 screw
21	80746406	M4x6 screw
22	80813410	M4x10 screw
23	80900321	M3 nut
24	80410521	M5 nut







## Electrical Part

No	Part Number	Description
1	02720131	bracketC
2	02720132	bracketB
3	02720135	bracketA
4	80050204	nameplate
5		motor box
6		drive box
7		operation panel
8	80813516	M5x16 screw
9	80813616	M6x16 screw
10	80813620	M6x20 screw
11	80813630	M6x30 screw
12	80813812	M8x12 screw
13	80900501	M5 plain washer
14	80900518	M5 spring washer
15	80900601	M6 plain washer
16	80900618	M6 spring washer
17	80900801	M8 plain washer
18	80900818	M8 spring washer

No	Part Number	Description