



SWD Series

PARTS BOOK

Version:20170725

THINK BEYOND



INDEX

01. Rotary hook base

1

02. Arm

3

03. Needle bar driving parts

5

04. Hook and jump

7

05. Needle bar case

9

06. Color change system

11

07. X-axis drive system

13

08. Y-axis drive system

15

09. Thread tension base

17

10. Thread stand

19

11. Electrical part

21

12. Cap frame

23

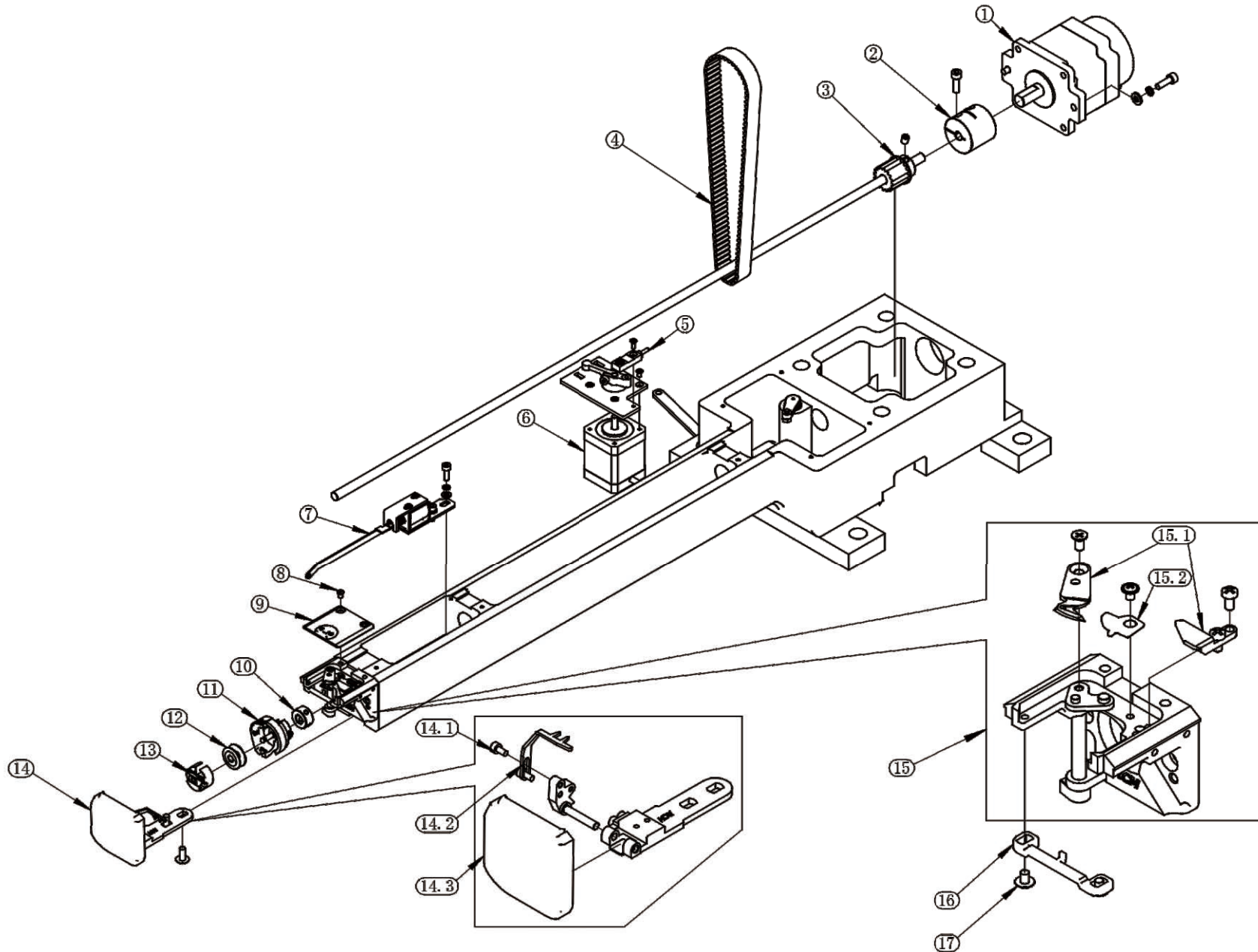
13. Frame

25

14. Table and stand

27

01. Rotary hook base



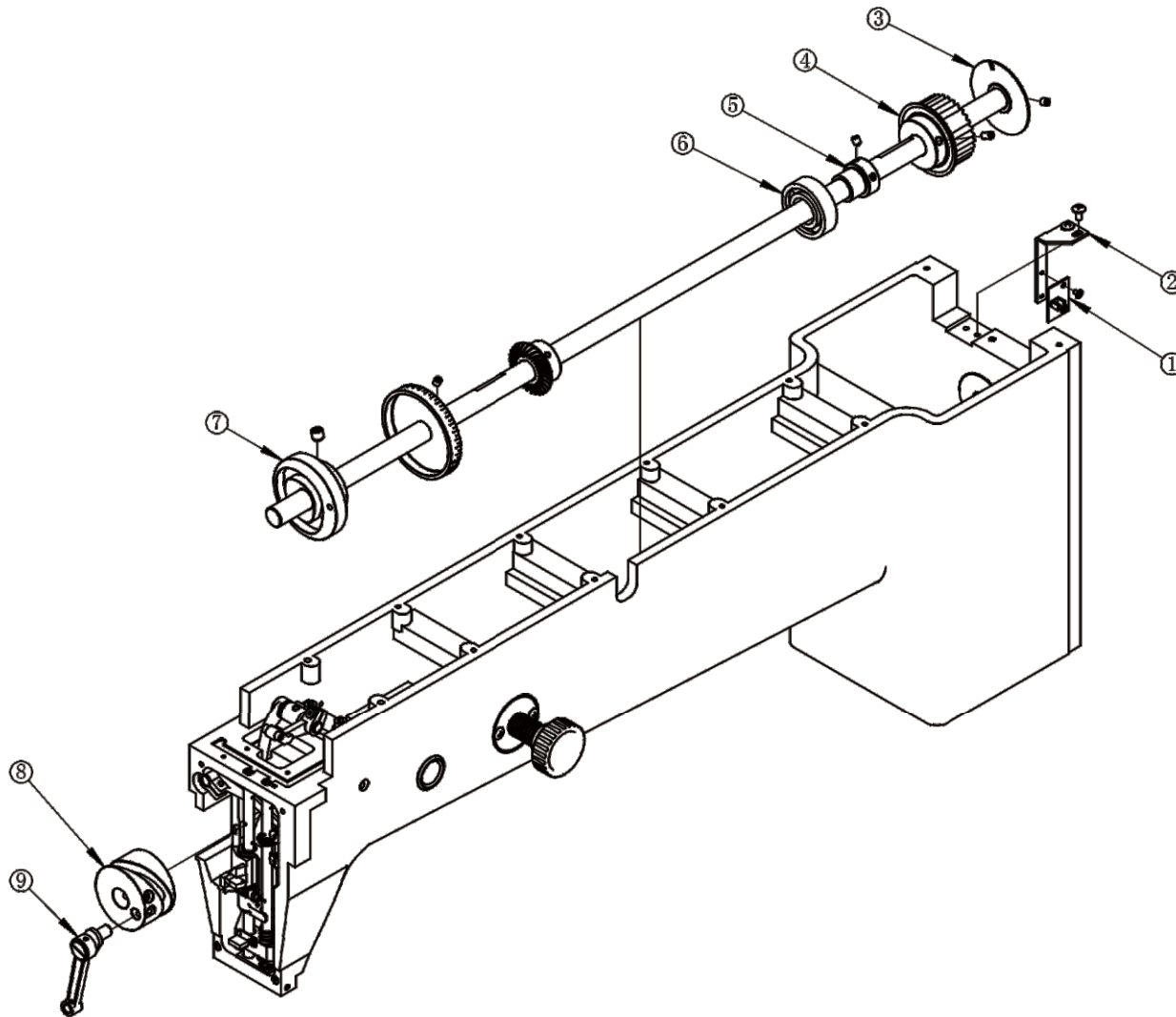


01.Rotary hook base

No.	Serial No.	Part name	Pemark
1	70SF3A60-330-1000Z-02	Main motor	
2	80037912BA	coupler	
3	80025602	timing belt 16-S5M-20-DTB	
4	80025506	525-S5M-16 timing belt	
5	80333601	mico proximity switch	
6	42BYGH5201-01	trimming motor	
7	03021591	picker solenoid set	
8	80924121	9/64x6 screw	
9	03021314	needle plate-RCM	
10	02101121	rotary shaft baffle	
11	80620291	koban rotary hook	

No.	Serial No.	Part name	Pemark
12	80620302	bobbin	
13	80620301	bobbin case	
14	03021592	picker set	
14.1	80810306	M3X6 cylinder head Hexagon - black	
14.2	03021504HC	picker	
14.3	03021316	Front cover-needle plate-RCM	
15	03021391	Needle bar base set	
15.1	02101282	Cap embroidery scissors assembly	
15.2	02101233	fixed knife shrapnel	
16	03021322	locating rotary hook-RCM	
17	80746304	Screw-M3x4	

02.Arm



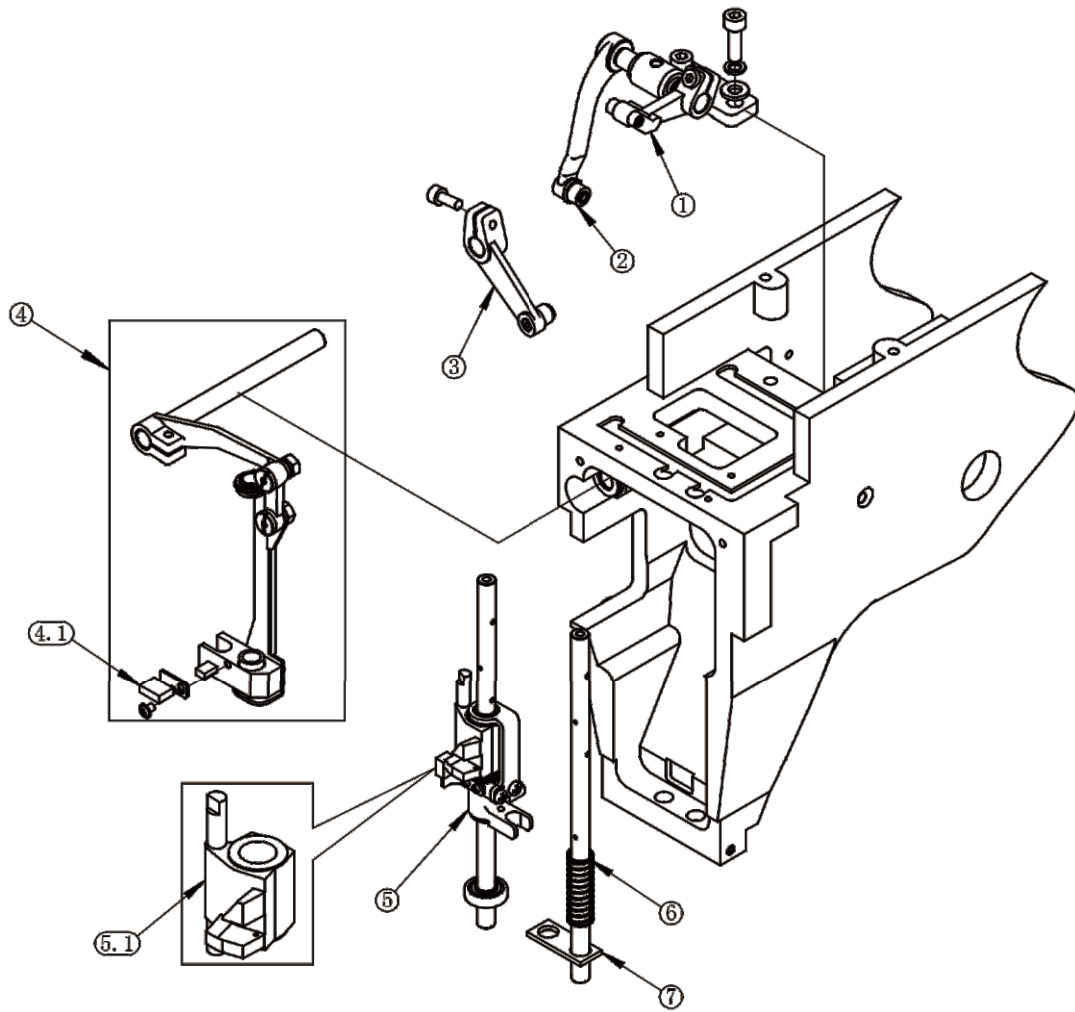


02.Arm

No.	Serial No.	Part name	Pemark
1	RCM-ZPS1V12	sensor board-zero position	
2	03041208	zero postion sensor bracket	
3	03041207	zero point baffle	
4	80025601	32-S5M-20-15 pulley	
5	80031502	bearing collar-φ15-20	
6	80032022	bearing-6004	
7	03040404	presser foot cam	
8	03040203	arm cam set	
9	03040202	needle bar driving connection rod	

No.	Serial No.	Part name	Pemark
-----	------------	-----------	--------

03. Needle bar driving parts



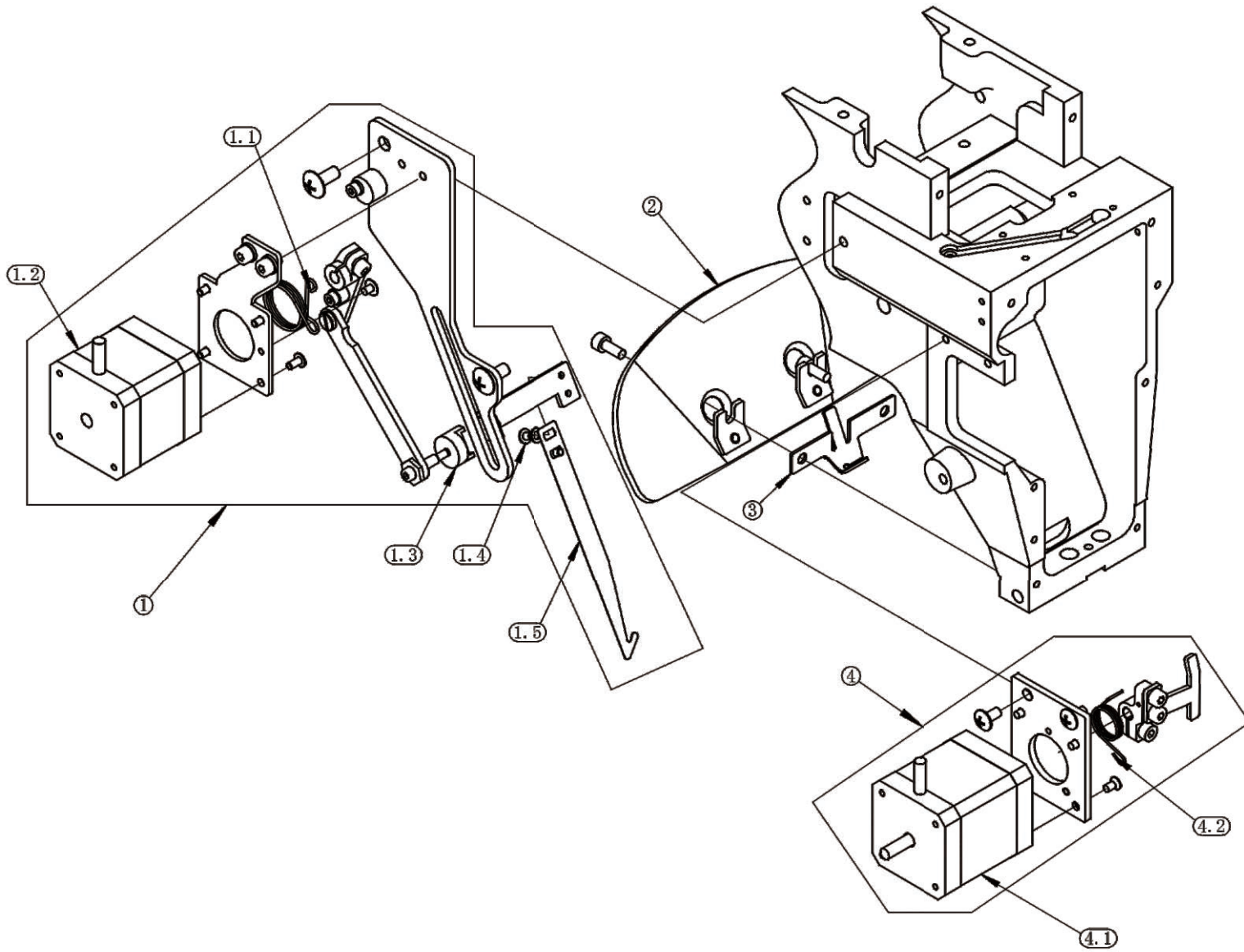


03. Needle bar driving parts

No.	Serial No.	Part name	Pemark
1	03041192	take-up connection rod	
2	03041193	take-up lever connection bar	
3	03040497	presser foot cam guide bar set	
4	03040498	presser foot sliding rod set	
4.1	03040426BA	presser foot buffer cushion	
5	03040391	needle bar driver	
5.1	03040305	reciprocator	
6	03040425	presser foot guide spring	
7	03040111	oil felt	

No.	Serial No.	Part name	Pemark
-----	------------	-----------	--------

04.Hook and jump



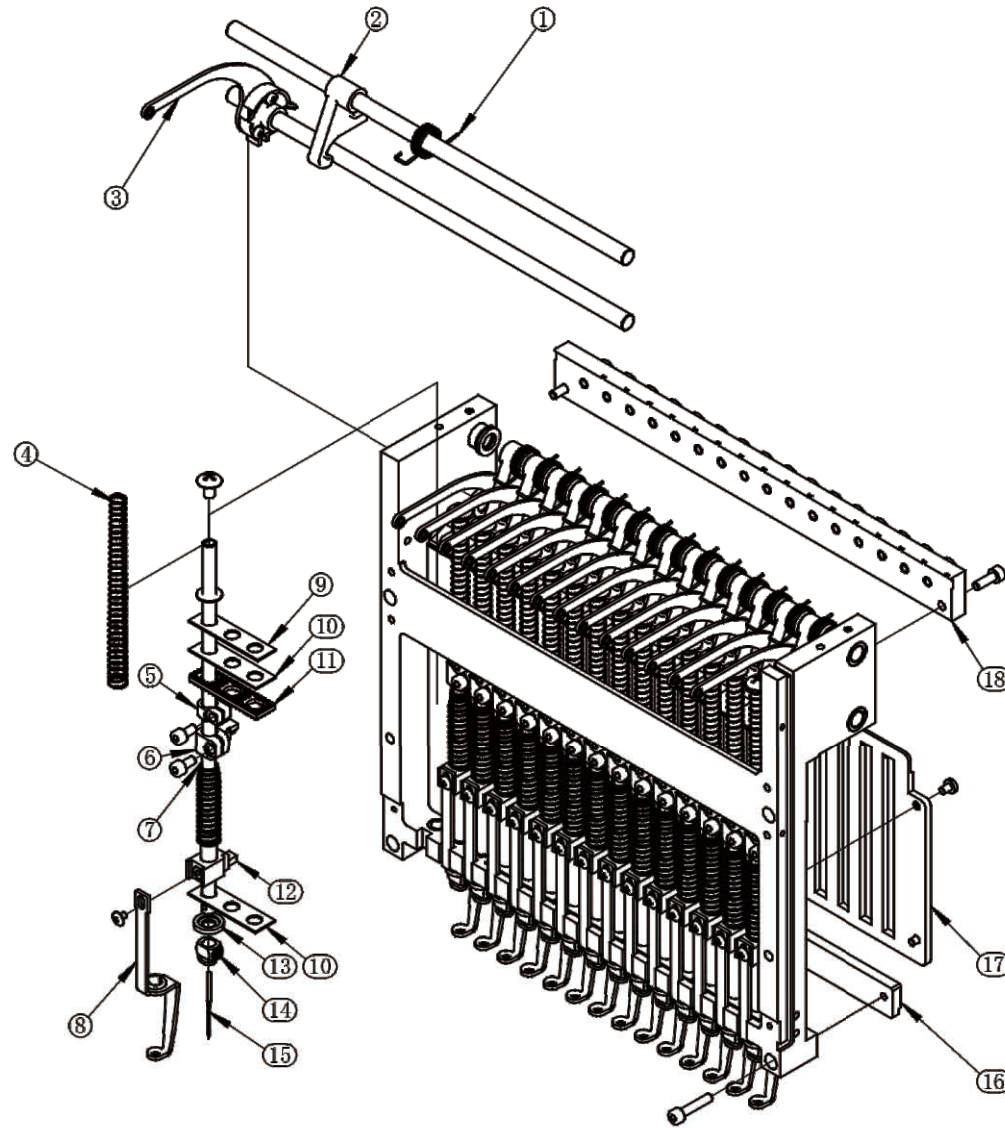


04.Hook and jump

No.	Serial No.	Part name	Pemark
1	03040681	hook motor components-P	
1.1	03040604	driving arm resetting spring	
1.2	42-BYGH4408-12	Thread hooking motor	
1.3	03040607	hook positioning block	
1.4	80742304	M3X4 screw	
1.5	03040611AA	line hook	
2	03040153	arm baffle components	
3	03040631	hook guide plate	
4	03040791	jumping motor set-P	
4.1	42BYGH5201-01	jumping motor	
4.2	03040705	jumping spring	

No.	Serial No.	Part name	Pemark
-----	------------	-----------	--------

05. Needle bar case



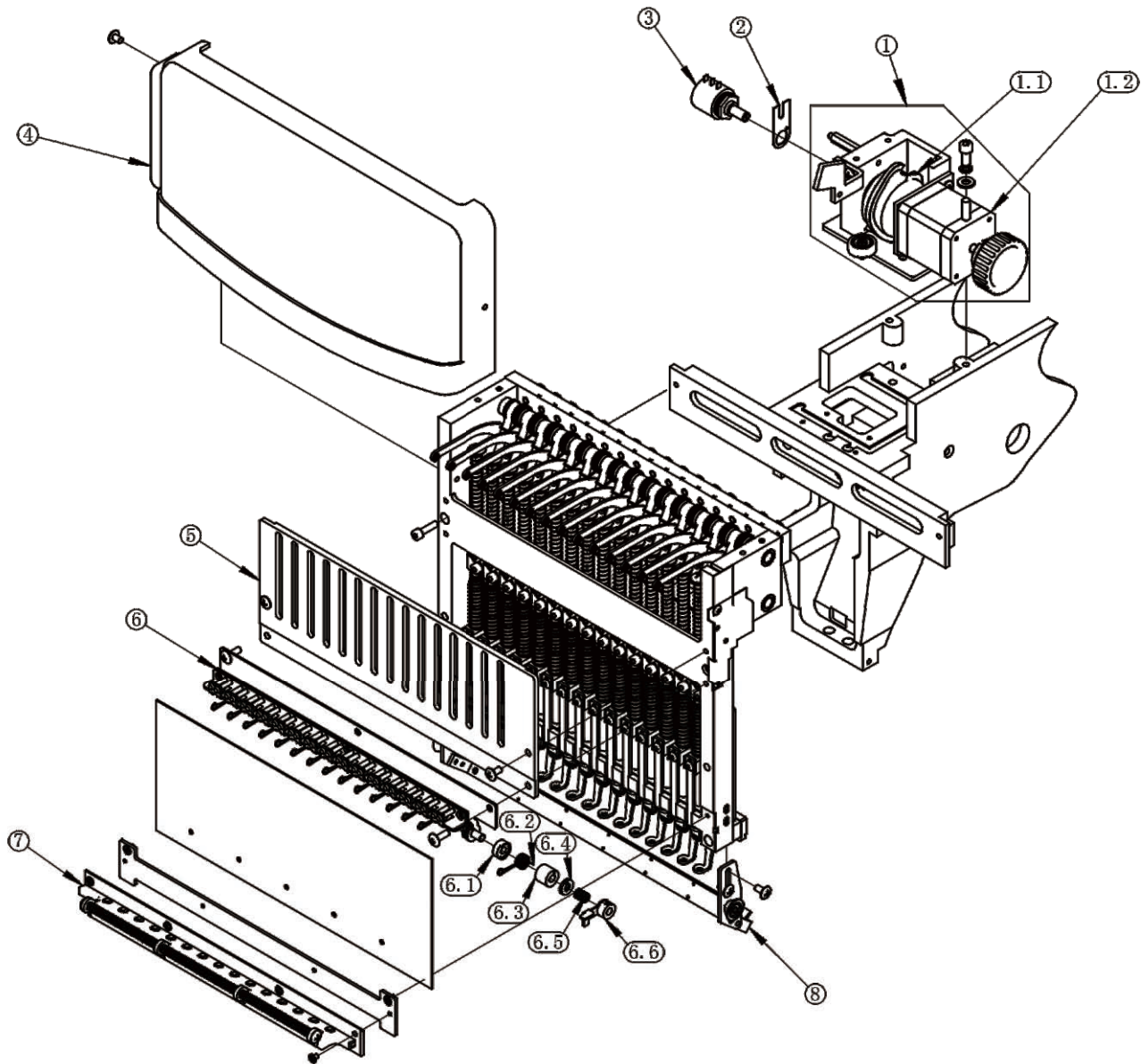


05. Needle bar case

No.	Serial No.	Part name	Pemark
1	03081503	fixed block torsional spring	
2	03081502	take up lever positon block	
3	03081591	take up lever module	
4	03080102	needle bar spring-P	
5	01222105	upper end stopper clamp	
6	01222106	needle bar connecting pin	
7	03080108	presser foot spring-P	
8	03080181	adjustment presser foot bushing	
9	01221602	3 pore cusion-1	

No.	Serial No.	Part name	Pemark
10	01221606	feltless pad-1	
11	01221605	3 pore cusion	
12	03080104AA	needle bar presser foot bushing	
13	01222110	Cushion blocking	
14	01222194	normal clamp with screw	
15	80621111	needle-DBXK5-11	
16	03081122	below guide rail-15-DT	
17	03081311	Needle bar guide plate-15	
18	03081215	color change plate assembly-15-bearing	

06. Color change system



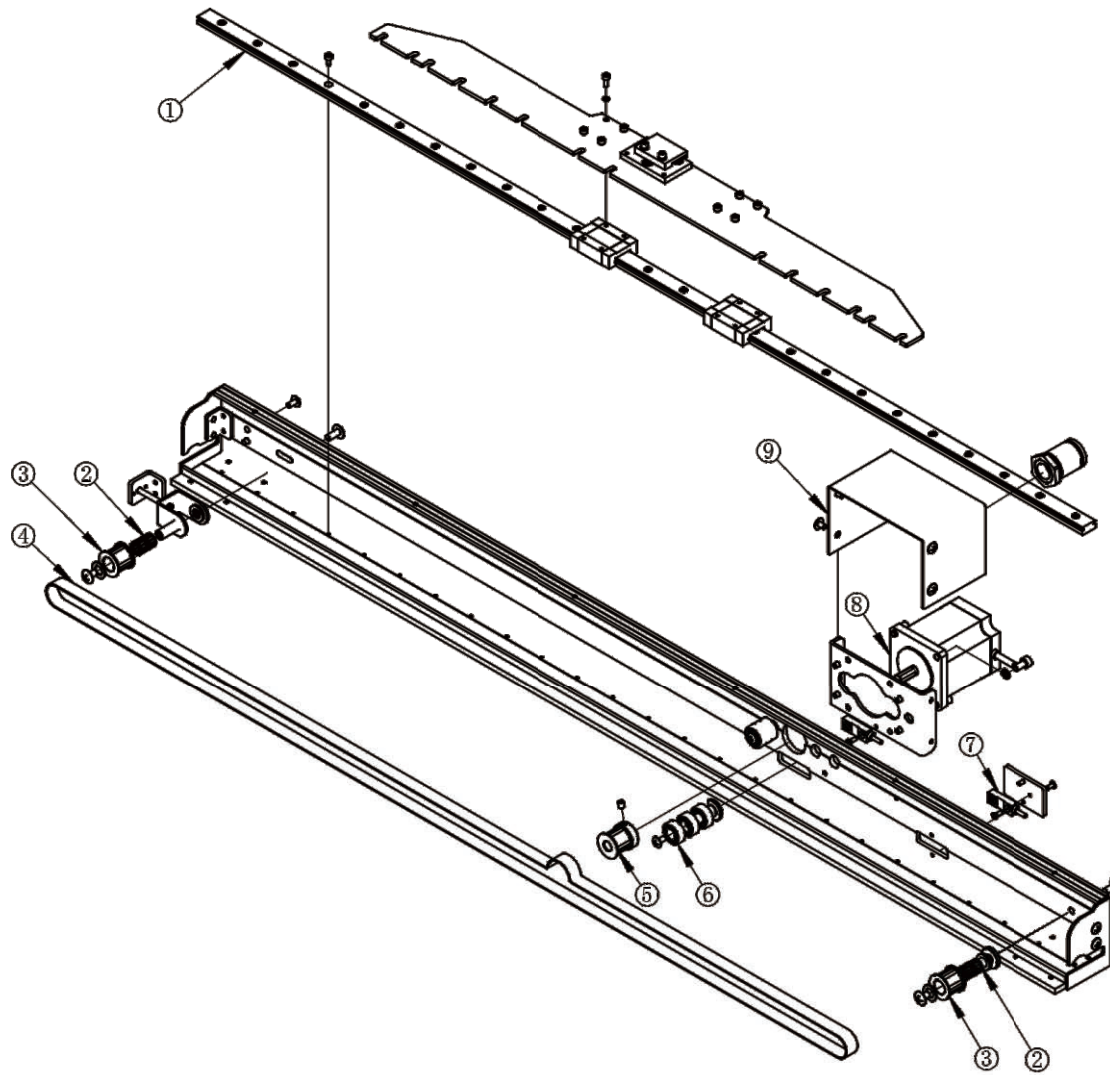


06.Color change system

No.	Serial No.	Part name	Pemark
1	03040590	changing color motor unit	
1.1	01293813	changing color cam-double rail-steel	
1.2	4H53-1206B-MTJ-01	Color changing motor	
2	03040510	potentiometer support plate	
3	03150833	Multi-turn potentiometer-DT	
4	03082352	15 needles cover module	
5	03081312	Front upper faceplate – 15	
6	03082512	Middle Thread-course rack	

No.	Serial No.	Part name	Pemark
6.1	03082528	take-up spring baffle	
6.2	03082530	Middle thread-course take-up spring	
6.3	03082527	take-up spring collar	
6.4	03082525	bevel cushion	
6.5	03082524	wrench spring	
6.6	03082523	wrench	
7	03096005	Below thread-course module-P-15-LED	
8	03086193	front thread clamp module-15	

07.X-axis drive system



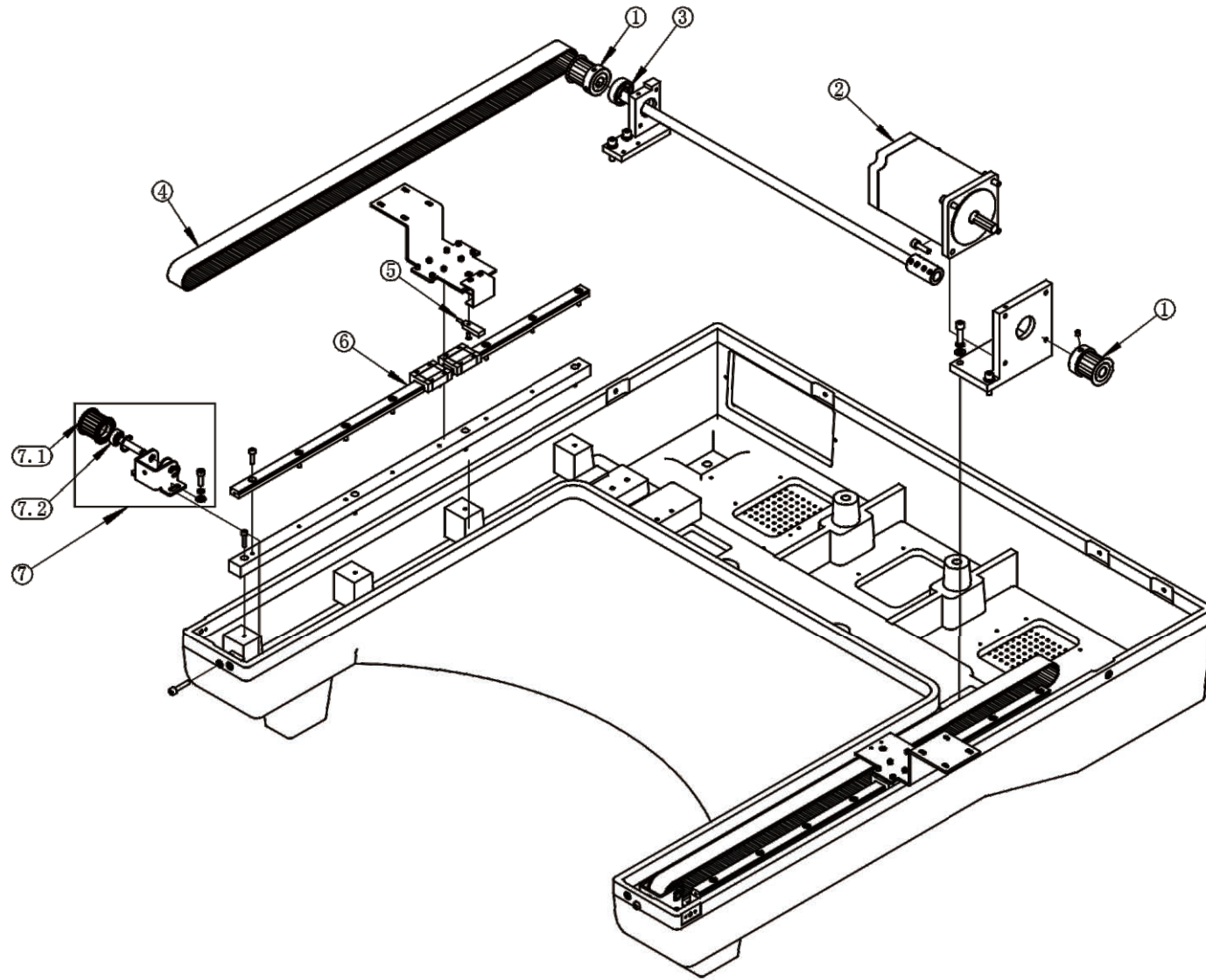


07.X-axis drive system

No.	Serial No.	Part name	Pemark
1	3003100160	Linear guide rail FN-BRH15-2-995	
2	80030831	Needle Roller Bearing 8-12-8	
3	80023602	20-3M-16-12 pulley	
4	3003100190	Timing belt-X-1890	
5	80023601	20-3M-16-8 pulley	
6	80030822	ball bearing 19-8-6	
7	80333611	Micro proximity switch-PNP	
8	60BYG350	Motor-X axis	
9	3011211105	X motor cover-MT1	

No.	Serial No.	Part name	Pemark
-----	------------	-----------	--------

08.Y-axis drive system



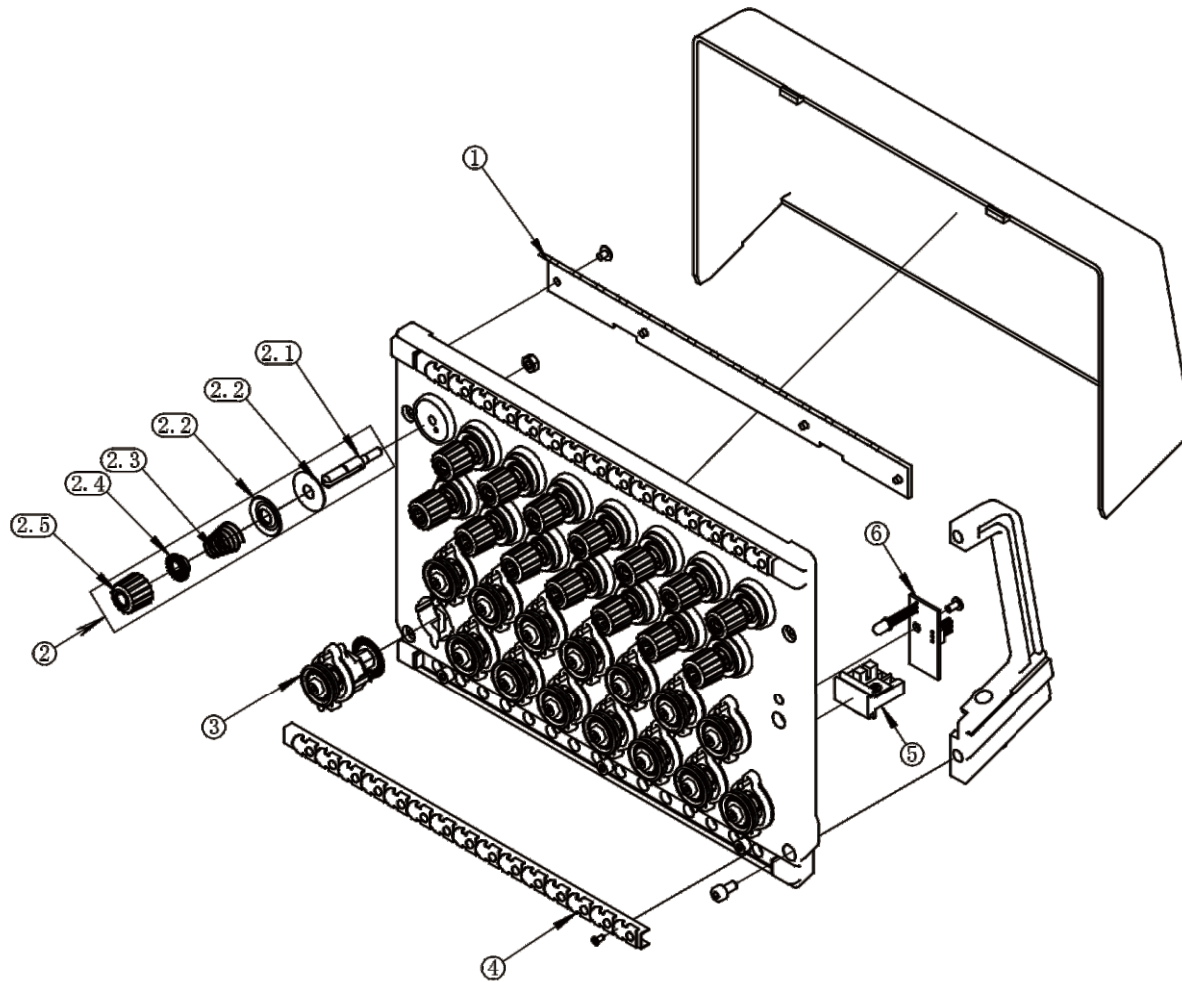


08.Y-axis drive system

No.	Serial No.	Part name	Pemark
1	3003105126	Belt wheel-5M-20-26-hole 12	
2	86HS3B135-506	Motor-Y axis	
3	80031222	bearing 32-12-10	
4	3003105151	Timing belt-5m-25	
5	80333611	Micro proximity switch-PNP	
6	3003105160	Linear guide rail FN-BRH15-2-600	
7	3003105133	Tension base-Y-SWD	
7.1	3003105127	Belt wheel-5M-20-26-hole 19	
7.2	80030822	ball bearing 19-8-6	

No.	Serial No.	Part name	Pemark
-----	------------	-----------	--------

09.Thread tension base



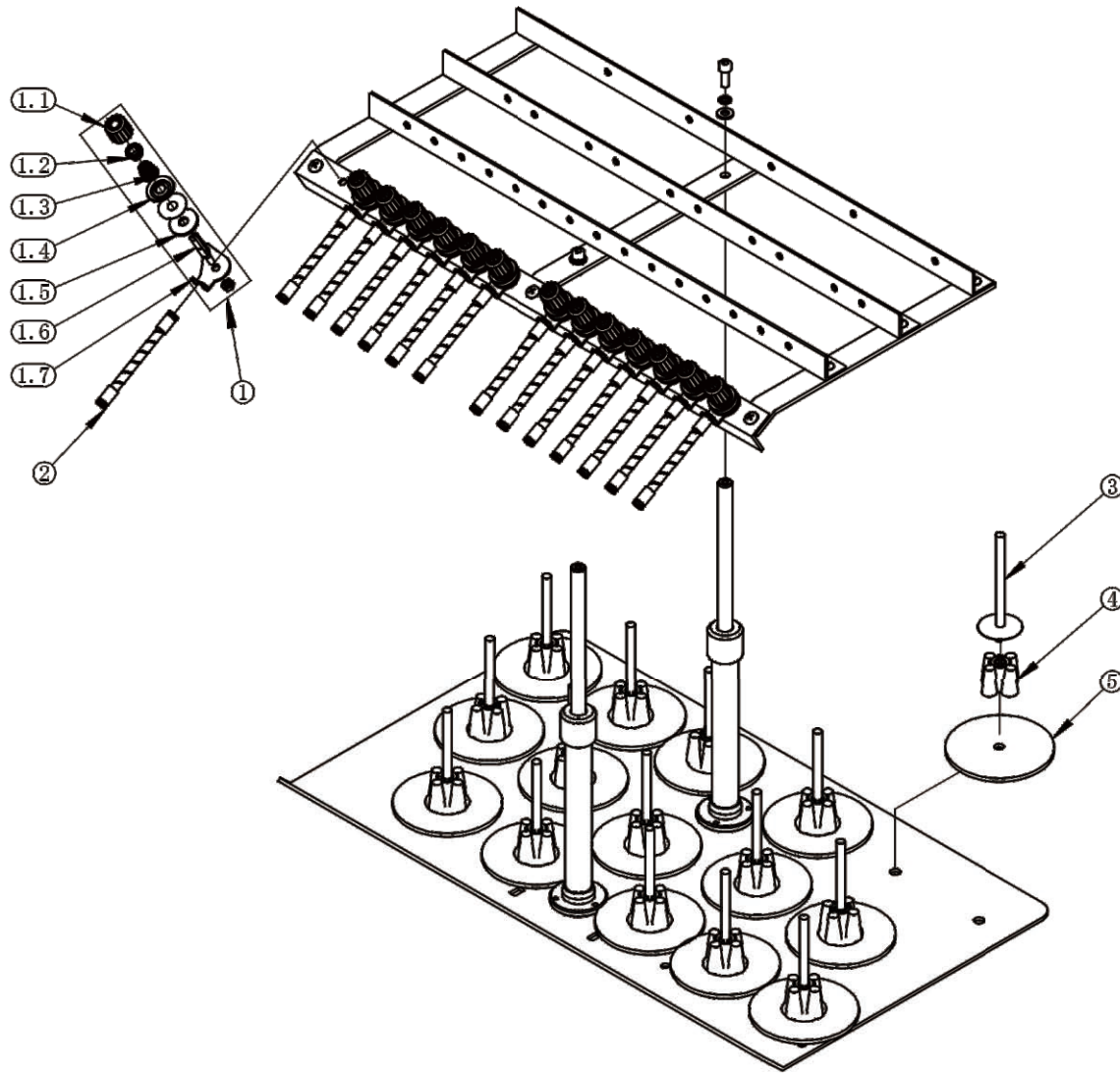


09.Thread tension base

No.	Serial No.	Part name	Pemark
1	03144310	Thread guide support plate – 15 needles	
2	03144254	Adjusting knob – yarn trapper	
2.1	03144208	Wiring nail - wheel	
2.2	03144202	press plate - wheel	
2.3	03144224	spring	
2.4	03144226	Lock washer - wheel	
2.5	03144207	Wire clamping knob - wheel	
3	03144252	thread course wheel module-bearing	
4	03144353	Thread course board-15	
5	RCM-DJ1V12A	sensor board-detecting thread break	
6	03150802	alarm sensor board	

No.	Serial No.	Part name	Pemark
-----	------------	-----------	--------

10.Thread stand



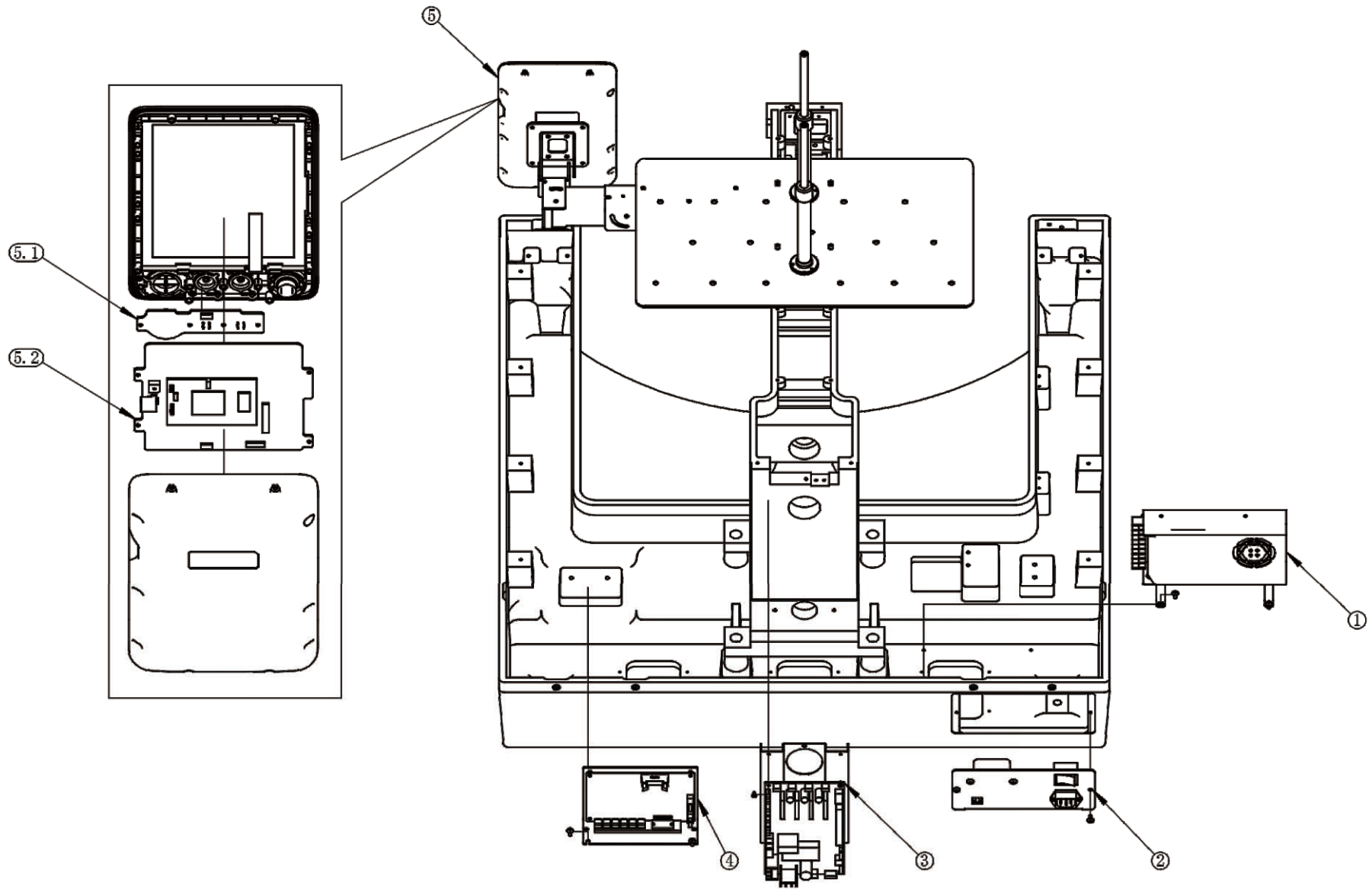


10.Thread stand

No.	Serial No.	Part name	Pemark
1	80900428	M4 nut-stainless steel	
1.1	03144207	Wire clamping knob - wheel	
1.2	03044155	Locking washer	
1.3	03144209	spring-wheel	
1.4	03144202	press plate-wheel	
1.5	80211104	Felt gasket	
1.6	03144208	Wiring nail - wheel	
1.7	03141001	Threading base-wheel	
2	03044360	Threading pipe-spiral	
3	80211007	Thread polar	
4	80211008	cushion	
5	80211009	foam cushion	

No.	Serial No.	Part name	Pemark
-----	------------	-----------	--------

11. Electrical part



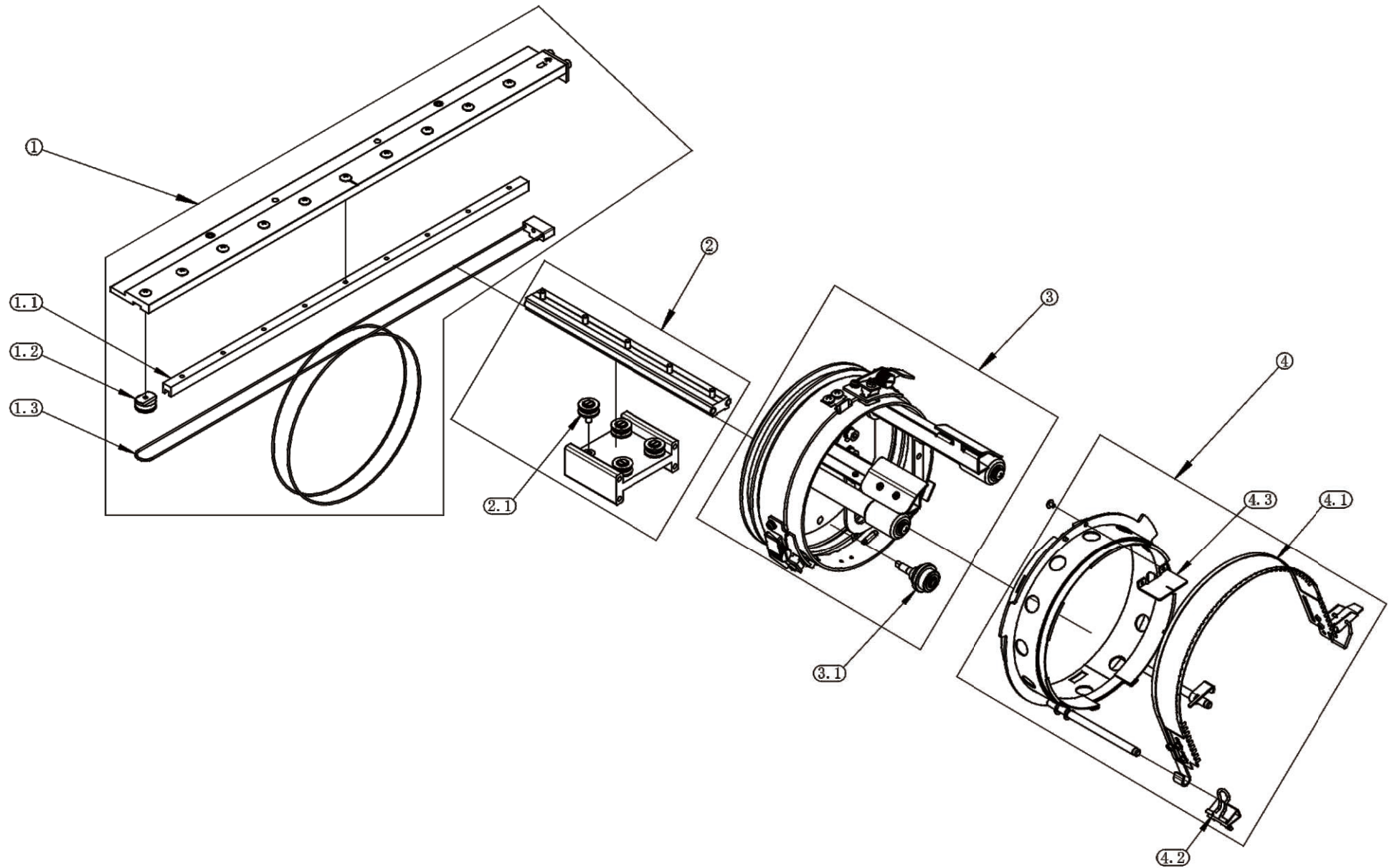


11. Electrical part

No.	Serial No.	Part name	Pemark
1	PDF-350-36	Switching power supply	
2	03150505	network interface board+support	
3	507/8multi	multi-function board	
4	80.RCM3IN10301	3 in 1 driver	
5	03151568	Control panel-P8-RCM-blue	
5.1	RCM-key8v21	Keyboard	
5.2	SSMFD8V21	Control panel main board	

No.	Serial No.	Part name	Pemark
-----	------------	-----------	--------

12.Cap frame



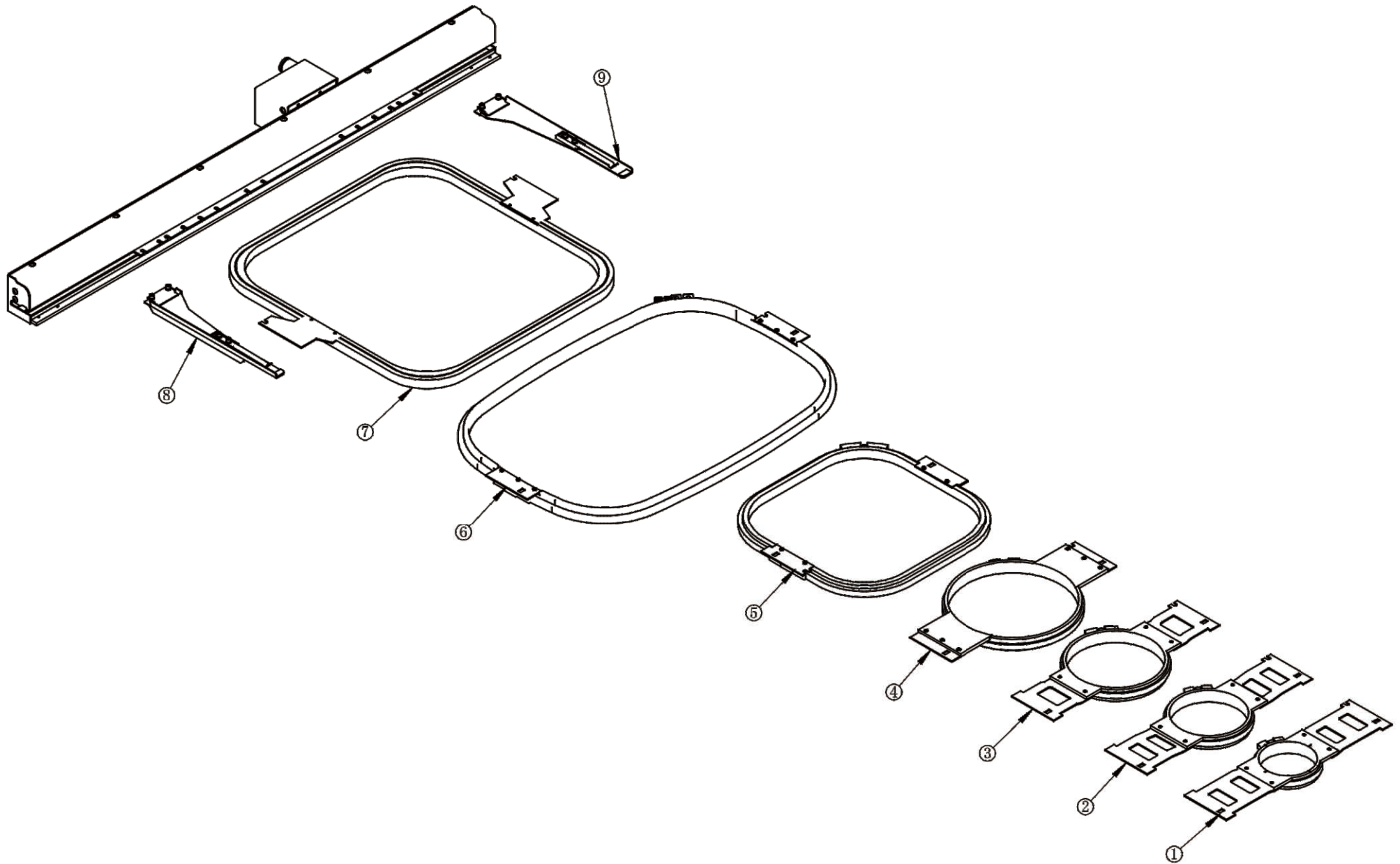


12.Cap frame

No.	Serial No.	Part name	Pemark
1	02815042	Hat rack drive junction plate kit-P-MT	
1.1	02815002	cap drive strip	
1.2	02815008	steel wire wheel	
1.3	02815052	Hat rack steel wire-P-MT	
2	02815039	Linear guide rail module RCM-220	
2.1	02815032	Guide rail wheel-G15	
3	02815082	Hat rack-big shuttle box	
3.1	02810161	eccentric wheel	
4	02811080	clamp ring-360	
4.1	02811082	cap strapping rod	
4.2	02811055	clamp ring	
4.3	02811006	positioning block	

No.	Serial No.	Part name	Pemark
-----	------------	-----------	--------

13.Frame



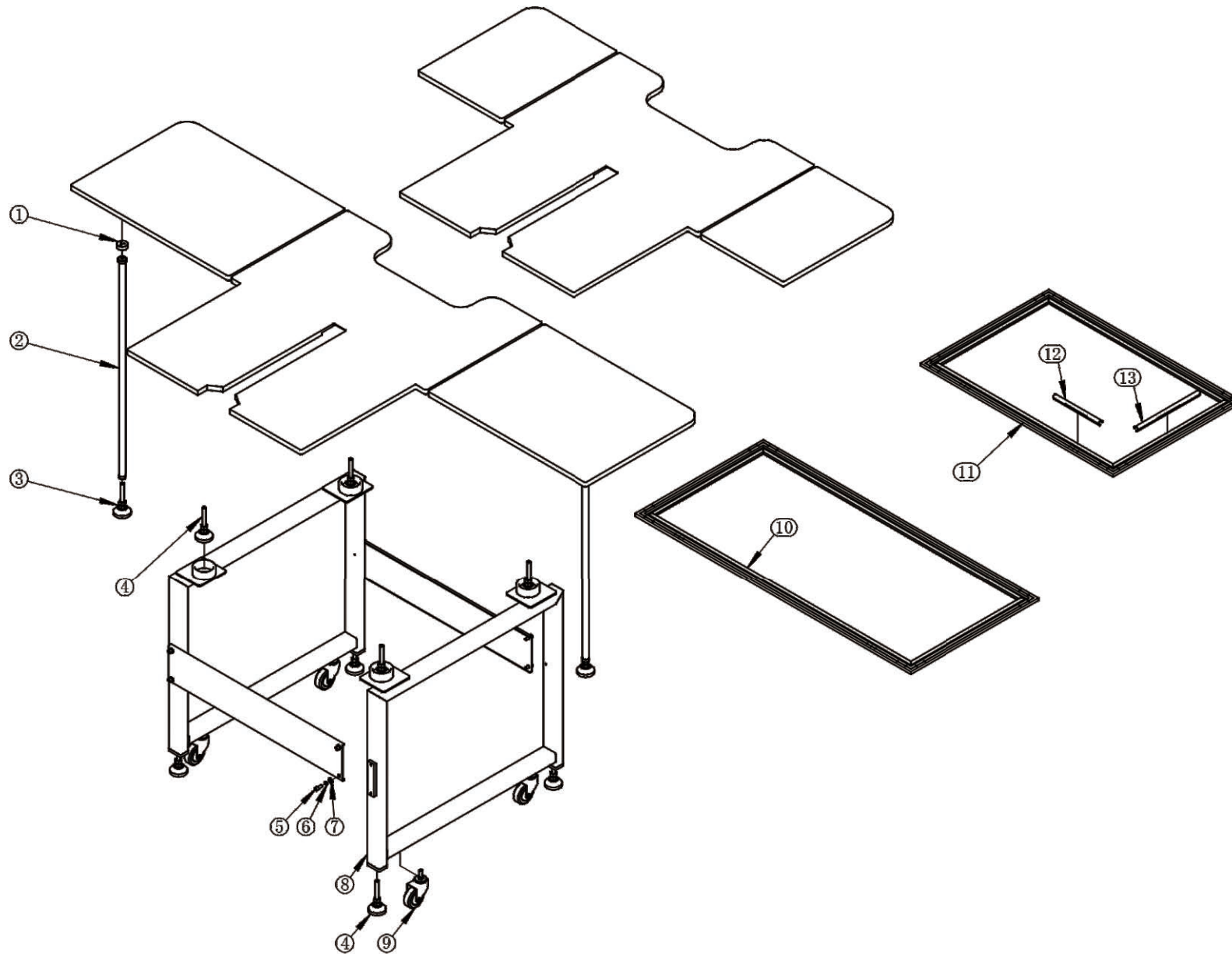


13.Frame

No.	Serial No.	Part name	Pemark
1	03171181	Round frame-90	
2	03171681	Round frame-120	
3	03172181	Round frame-150	
4	03172681	Round frame-200	
5	03173181	Square frame-290x290	
6	03173691	Square frame-540x360	
7	3003174081	Ready-made clothes hoop 400*420mm	
8	03100292	frame support module-L	
9	03100291	frame bracket module-R	

No.	Serial No.	Part name	Pemark
-----	------------	-----------	--------

14. Table and stand





14. Table and stand

No.	Serial No.	Part name	Pemark
1	03010313	table suport megnet base	
2	03010365	table support set-P-MT	
3	80270831	Support Feet-Nylon-Φ50-M12*50	
4	80270912	Support Feet-Rubber-D60-M12*100	
5	80813820	M8x20 hexagon cap	
6	80900813	M8 spring washer	
7	80900801	M8 plain washer	
8	3003012721	Stand-SWD-FG	
9	80270501	Screw lever truckle-65M12	
10	3003178082	Flat embroidery hoop 500*1200mm	
11	3003175081	Flat embroidery hoop 500*800mm	
12	01505102	Feed collet -220	
13	01505101	feed collet-300	

No.	Serial No.	Part name	Pemark
-----	------------	-----------	--------