



TC Series

PARTS

BOOK

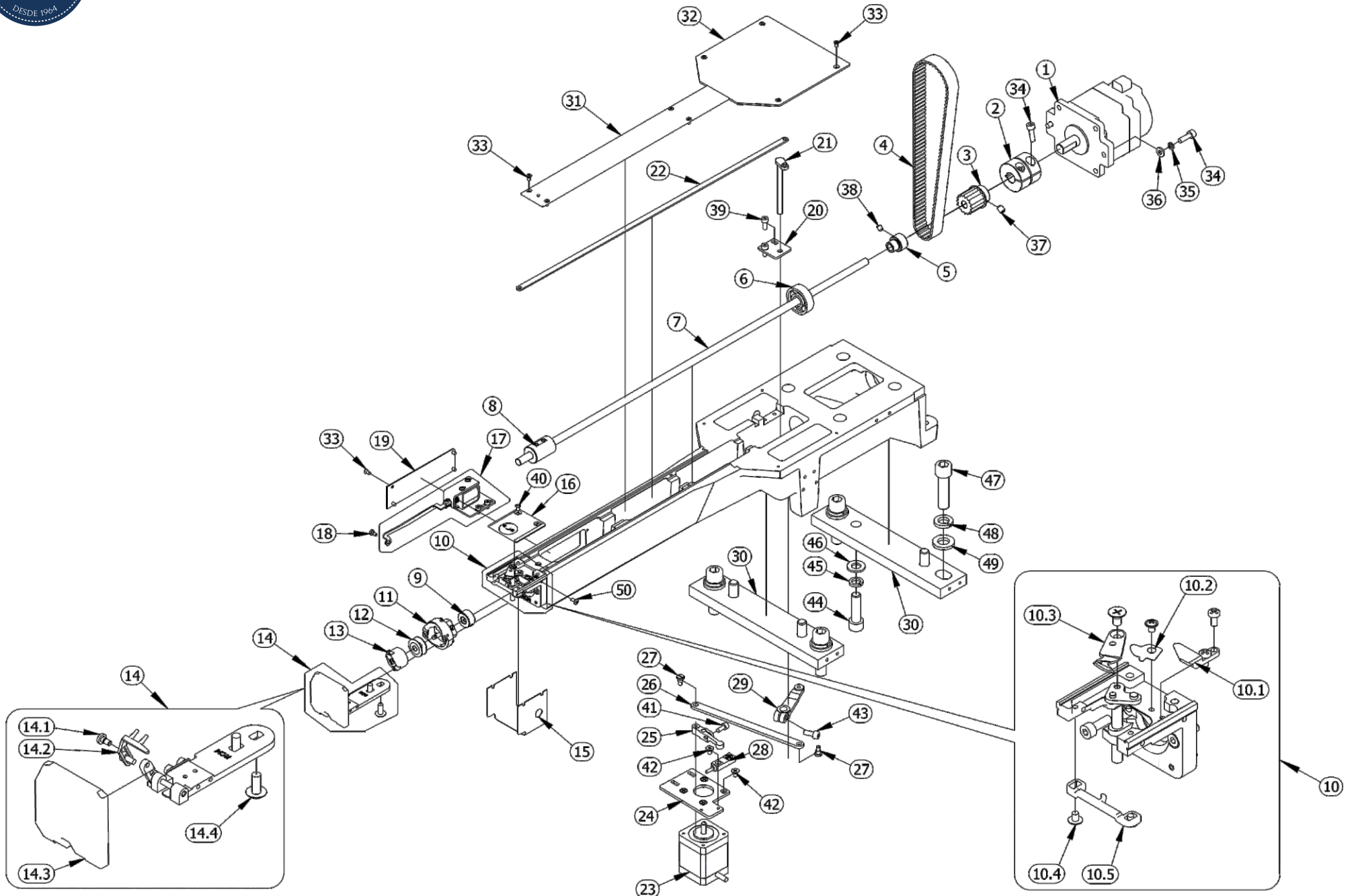
Version:03000V3



contents

01	•	Lower Shaft Arm -----	03
02	•	Arm -----	06
03	•	Needle bar driving parts -----	08
04	•	Hook and jump -----	10
05	•	Needle Bar -----	12
06	•	Color change system -----	14
07	•	X Axis Driving Parts -----	16
08	•	Y-Axis Drive System -----	18
09	•	Thread tension base -----	20
10	•	Thread stand -----	22
11	•	Control panel -7 inch -----	24
11	•	Control panel -8 inch -----	28
12	•	CAP STAND FRAME -----	32
13	•	Frame -----	34
14	•	Stand and table -----	36

01.Lower Shaft Arm





01.Lower Shaft Arm

03010V3

No.	Serial No.	Part name	Remark
1	03021191	70 motor-main axis-L350	
2	80037912BA	coupler	
3	80025602	timing belt 16-S5M-20-DTB	
4	80025506	525-S5M-16 timing belt	
5	80037901	bearing collar-7.94-12	
6	80031222	bearing 32-12-10	
7	03021107BA	rotray hook shaft-DT	
8	02101131	lower shaft bearing collar	
9	02010633	baffle ring of rotating shuttle box - SY	
10	02101660	Needle plate base assembly-SR-C	
10.1	02101232	fixed knife	
10.2	02101233	fixed knife shrapnel	
10.3	02101231	movable knife	
10.4	80740306	M3x6 screw	
10.5	03021322	locating rotary hook-RCM	
11	80620291	koban rotary hook	
12	80620302	bobbin	
13	80620301	bobbin case	
14	02101661	picker set-SR-C	
14.1	02010625	picker rod screw-SY	
14.2	02010624	Picker-SY	
14.3	02101622	Front cover-SR-C	

No.	Serial No.	Part name	Remark
14.4	80746512	M5X12 screw	
15	02101621	Needle plate cover-SR-C	
16	02101611VA	Needle Plate -SR-C-H	
17	03020660	Picker solenoid assembly-SR-P	
18	02010625	picker rod screw-SY	
19	03020621	Cover-picker-SR-P	
20	03020612	Mounting Plate-Trimming Driving Bar-SR-P	
21	3011150140	Trimming rotating rod-shuttle box-MT	
22	03020611	Thread trimming rod-SR-P	
23	03021291	42 motor-trimming-L600	
24	03021206	Mounting plate-trimming motor-P	
25	03021213	trimming motor driving arm-P	
26	03021204	trimming connection rod	
27	80924211	M4x4-5x3.5 screw	
28	80333601	mico proximity switch	
29	01400311	Moving cutter rod chuck	
30	03021103	rotary hook rear bracket	
31	03020614	Upper cover of shuttle box-SR-P	
32	03020613	Rear cover of shuttle box-SR-P	
33	80860326	M3X6 screw	
34	80810516	M5x16 Hexagon socket head-black	
35	80900513	M5 spring cushion-black	

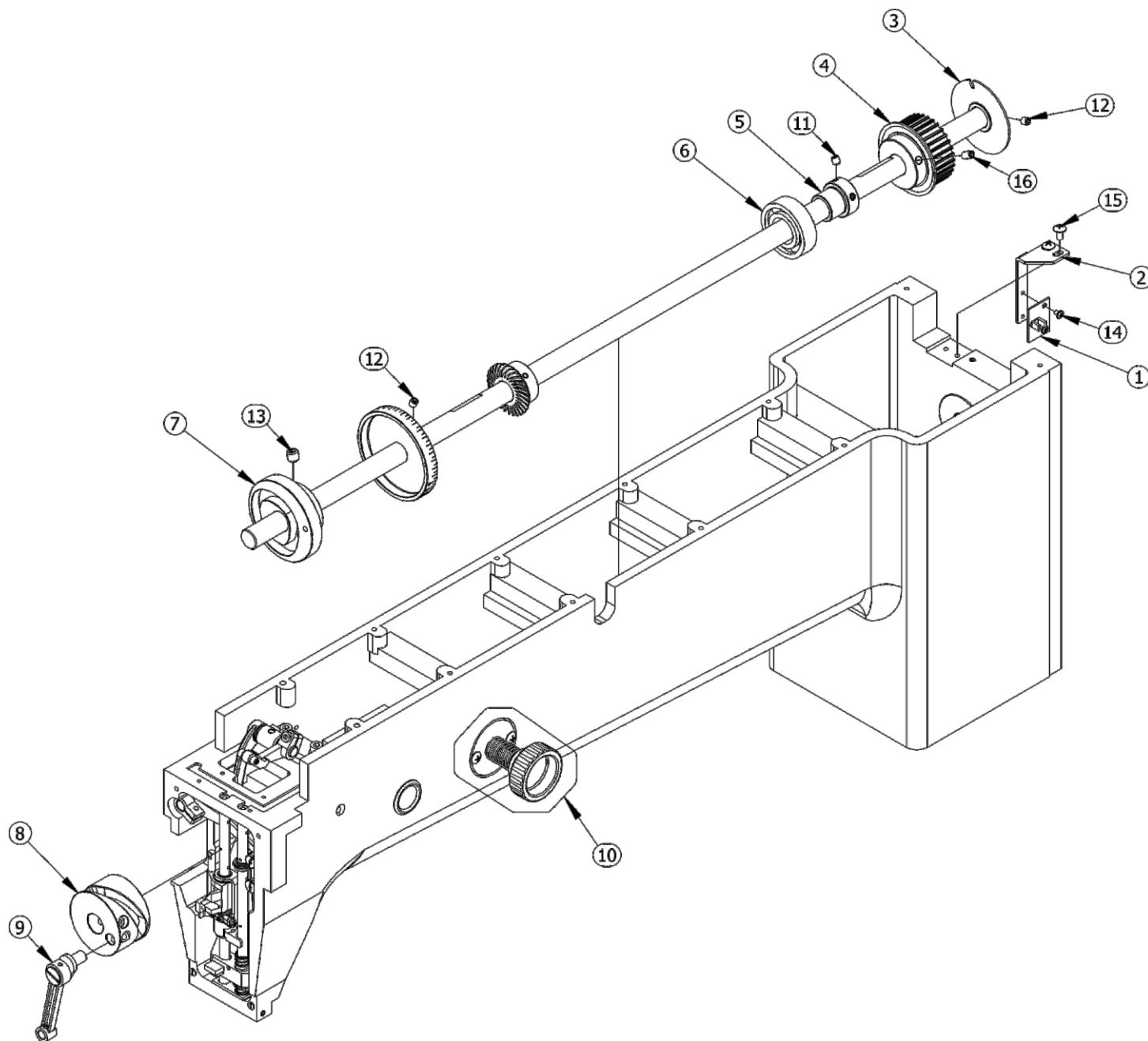


01.Lower Shaft Arm

03010V3

No.	Serial No.	Part name	Remark
36	80900501	M5 copper cushion	
37	80880608	M6x8 Hexagon socket set-black	
38	80880506	M5x6 Hexagon socket set-black	
39	80810410	M4X10 cylinder head Hexagon - black	
40	80924121	9/64x6 screw	
41	80810410	M4X10 cylinder head Hexagon - black	
42	80860326	M3X6 screw	
43	80810512	Hexagon socket head cap screw M5x12- black	

No.	Serial No.	Part name	Remark
44	80811040	M10x40 Hexagon socket head-black	
45	80901013	M10 spring cushion-black	
46	80901002	M10 thick cushion- nickel-plated	
47	80811250	M12x50 Hexagon socket head	
48	80901213	M12 spring cushion-black	
49	80901202	M12 thick flat cushion- nickel-plated	
50	80746306	Screw M3*6	





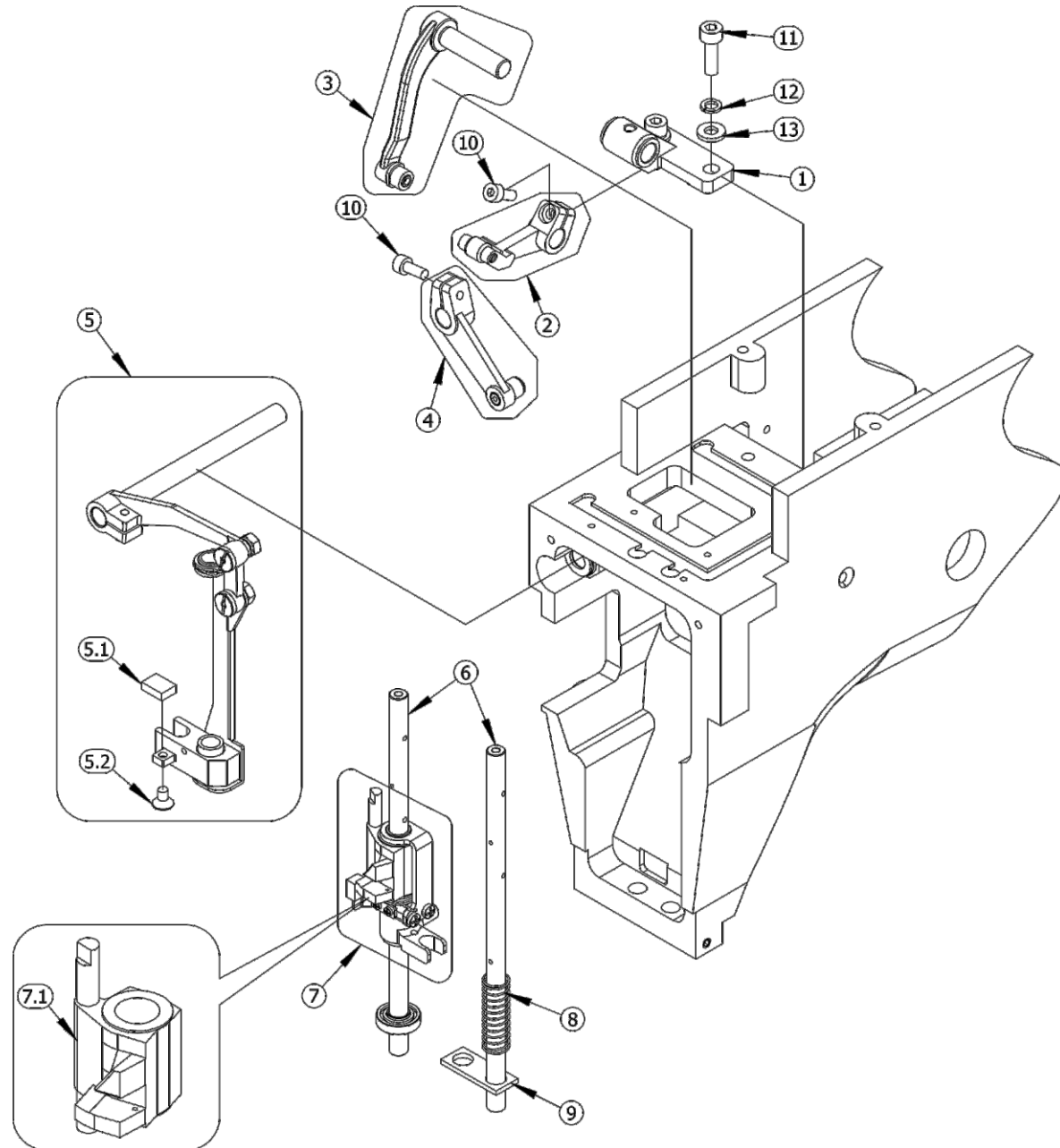
02.Arm

03020V3

No.	Serial No.	Part name	Remark
1	03150810	sensor board-zero position	
2	03041208	zero position sensor bracket	
3	03041207	zero point baffle	
4	80025601	32-S5M-20-DTM pulley	
5	80031502	bearing collar-15-20	
6	80032022	bearing-6004	
7	03040404	presser foot cam	
8	03040203	arm cam set	

No.	Serial No.	Part name	Remark
9	03040292	needle bar driving set	
10	03041391	needle bar driving set	
11	80880505	Hexagon socket set screw M5×5-black	
12	80880506	M5x6 Hexagon socket set-black	
13	80880808	Hexagon socket set screw M8x8	
14	80742304	M3X4 screw	
15	80746408	M4x8 round head Phillips -nickel-plated	
16	80880510	M5x10 Hexagon socket set-black	

03. Needle bar driving parts



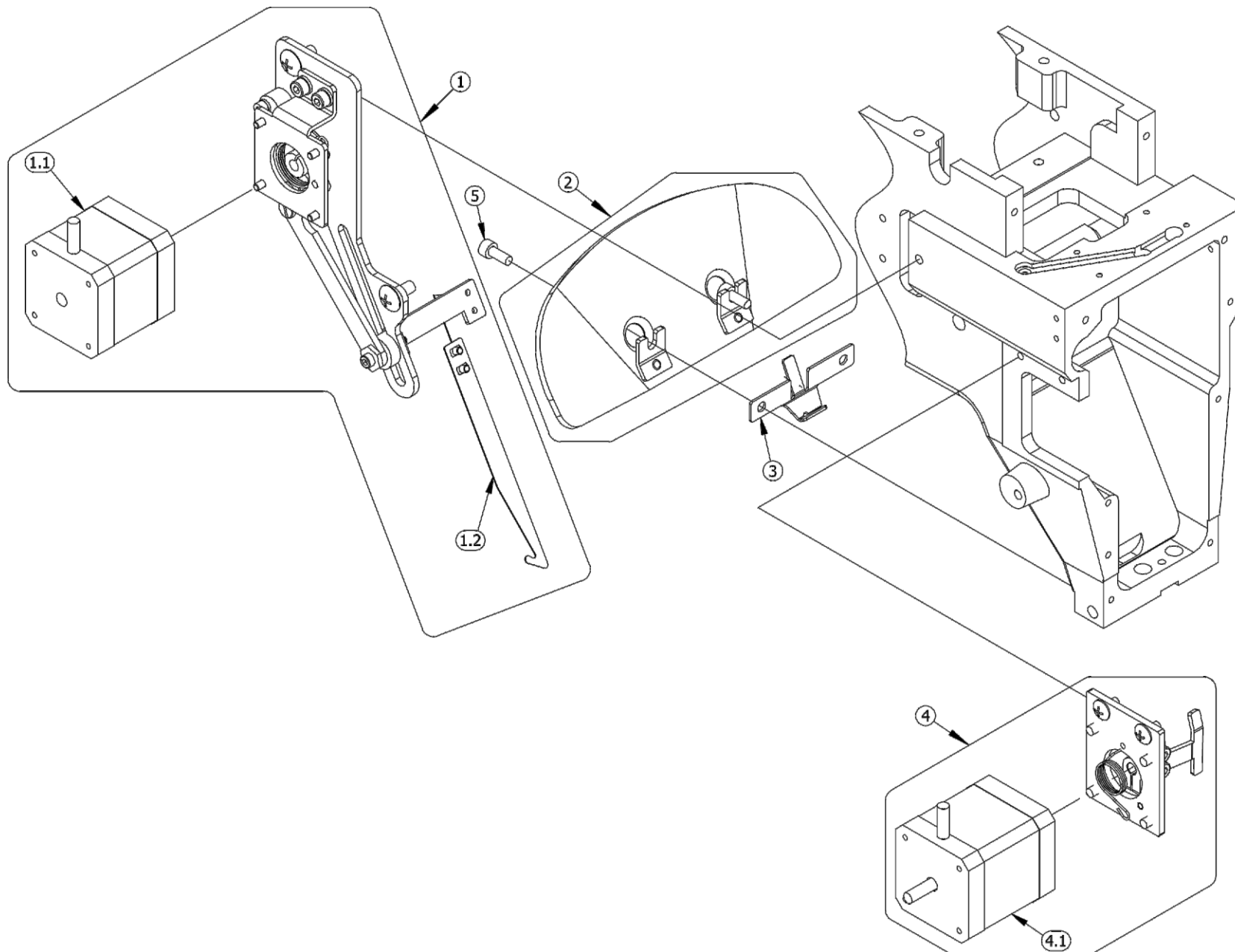


03.Needle bar driving parts

03030V3

No.	Serial No.	Part name	Remark
1	03041101	take-up lever base	
2	03041192	take-up connection rod	
3	03041193	take-up lever connection bar	
4	03040497	presser foot cam guide bar set	
5	03040498	presser foot sliding rod set	
5.1	01212201	presser foot buffer cushion	
5.2	80860326	M3X6 screw	
6	03040351	arm drive shaft	

No.	Serial No.	Part name	Remark
7	03040391	needle bar driver	
7.1	03040305	reciprocator	
8	03040425	presser foot guide spring	
9	03040111	oil felt	
10	80810410	M4X10 cylinder head Hexagon - black	
11	80810516	M5x16 Hexagon socket head-black	
12	80900513	M5 spring cushion-black	
13	80900501	M5 copper cushion	





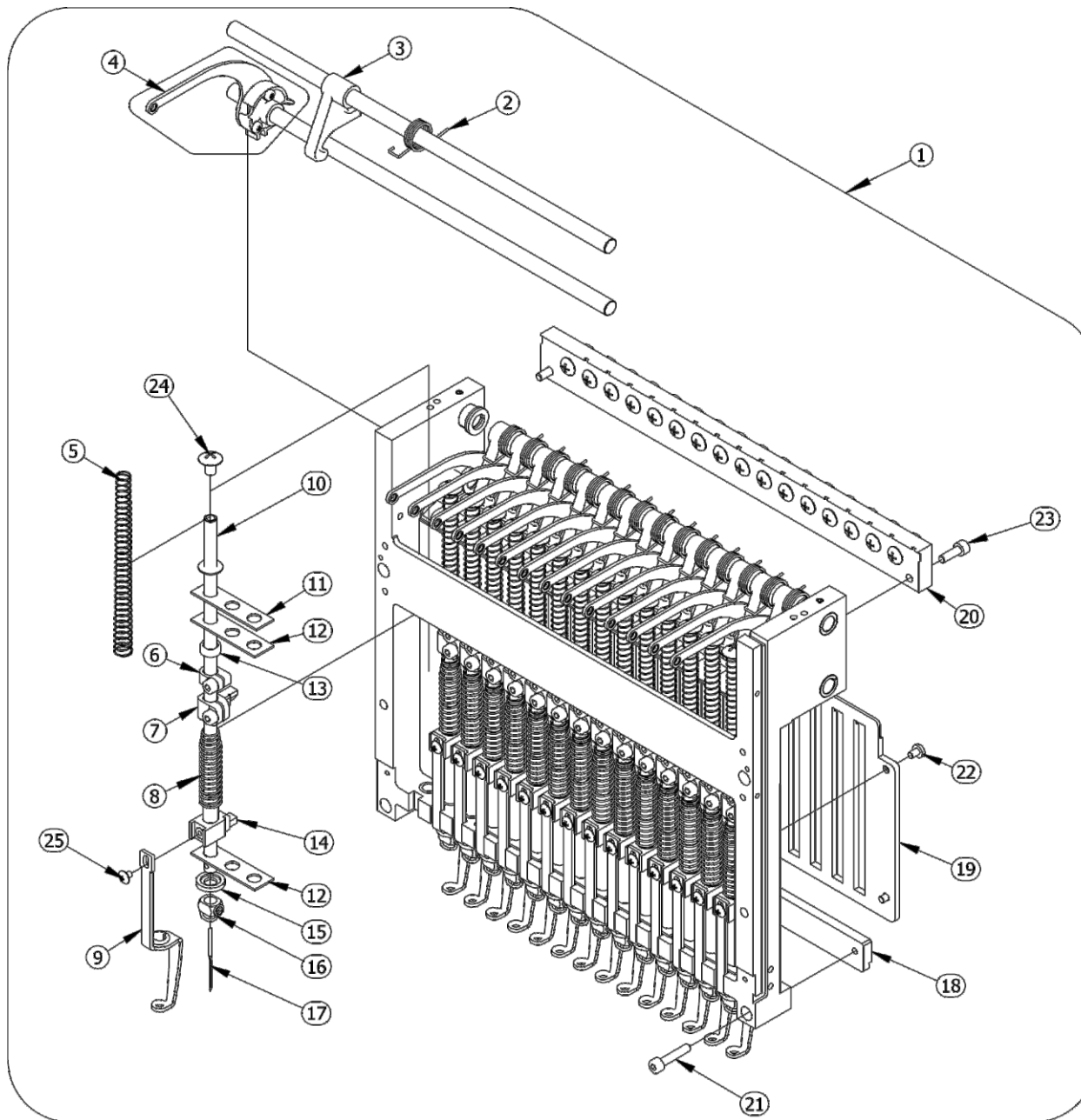
04.Hook and jump

03040V3

No.	Serial No.	Part name	Remark
1	03040681	hook motor components-P	
1.1	03040693	42 motor-hooking-L1200	
1.2	03040611AA	line hook	
2	03040153	arm baffle components	

No.	Serial No.	Part name	Remark
3	03040631	hook guide plate	
4	03040791	jumping motor set-P	
4.1	03040692	42 motor-jumping-L1200	
5	80810410	M4X10 cylinder head Hexagon - black	

05. Needle Bar





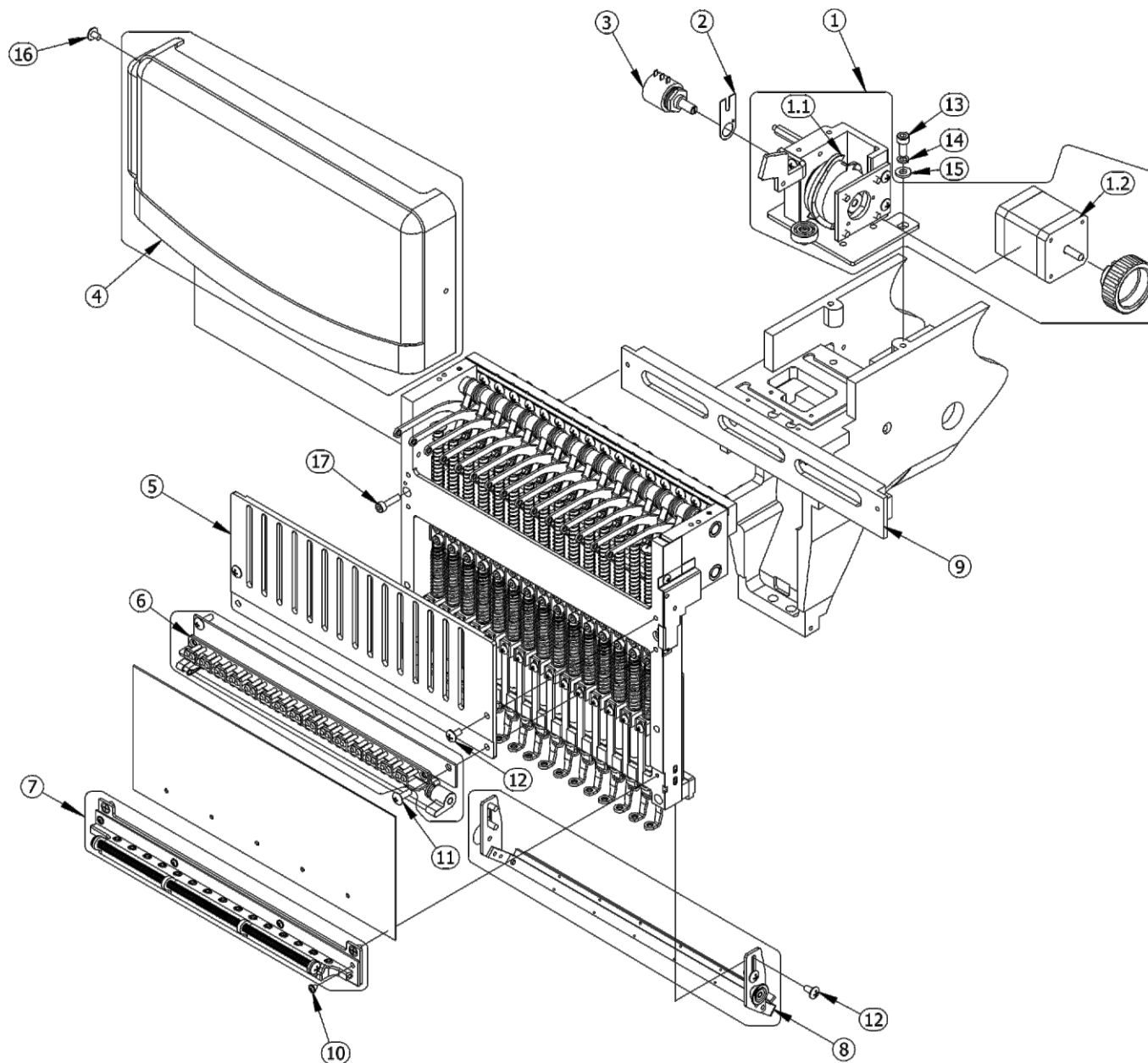
05.Needle Bar

03050V3

No.	Serial No.	Part name	Remark
1	03089181	Needle Bar Case-15N-P	
2	03081503	fixed block torsional spring	
3	03081502	take up lever positon block	
4	03081591	take up lever module	
5	03080102	needle bar spring-P	
6	01222105	upper end stopper clamp	
7	01222106	needle bar connecting pin	
8	03080108	presser foot spring-P	
9	03080181	adjustment presser foot bushing	
10	03080160	needle bar-217	
11	01221602	3 pore cusion-1	
12	01221606	feltless pad	
13	4006200000	O-type ring	

No.	Serial No.	Part name	Remark
14	03080104AA	needle bar presser foot bushing	
15	01222110	Cushion blocking	
16	01222194	normal clamp with screw	
17	80621111	needle-DBXK5-11	
18	03081122	DT-below guide rail-15	
19	03081311	Needle bar guide plate-15	
20	03081215VA	Color change plate-shaft style-15	
21	80810425	cylinder head Hexagon - black M4x25	
22	80924150	9/64x5 screw	
23	80810412	M4X12 cylinder head Hexagon - black	
24	80746508	M5X8 screw	
25	80746304	Screw-M3x4	

06.Color change system



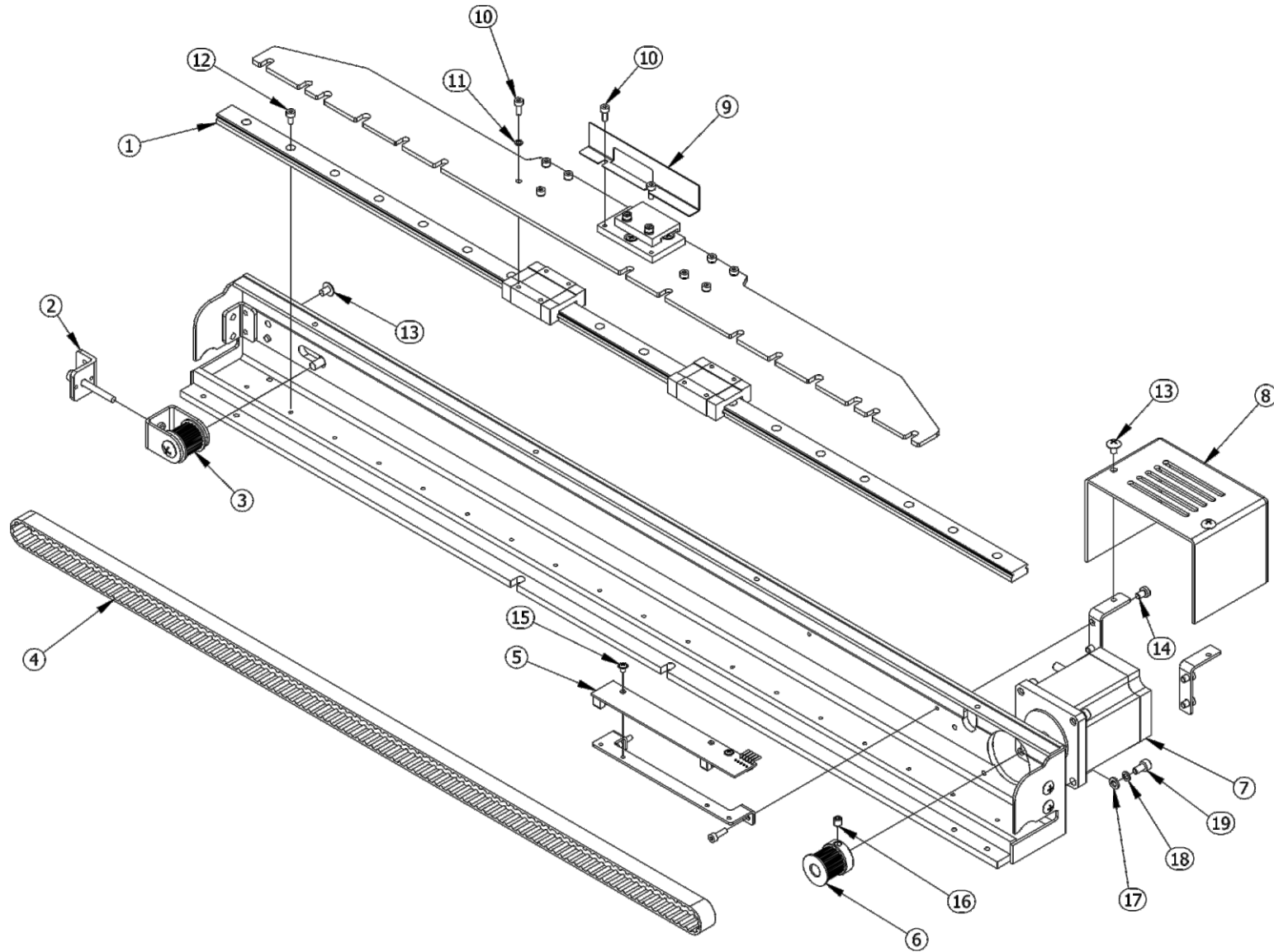


06.Color change system

03060V3

No.	Serial No.	Part name	Remark
1	03040590	changing color motor unit	
1.1	01293812	Color changing cam - double track – card type	
1.2	03040593	42 motor-color change-L1200	
2	03040510	potentiometer support plate	
3	03150833	Multi-turn potentiometer	
4	03082352	15 needles cover module	
4	03082310	12 needles cover module	
5	03081312	Front upper faceplate – 15	
5	03081302	Front upper faceplate - 12	
6	03082592	middle threading module-15	
6	03082591	middle threading module-12	
7	03096005	Lower thread course assembly-P-15-LED	

No.	Serial No.	Part name	Remark
7	03096002	Lower thread course assembly-P-12-LED	
8	03086193	front thread clamp module-15	
8	03086192	front thread clamp module-12	
9	03040196CA	needle case guide rail -15	
10	80742304	M3X4 screw	
11	80746412	Screw M4x12	
12	80746408	M4x8 round head Phillips -nickel-plated	
13	80810512	Hexagon socket head cap screw M5x12- black	
14	80900513	M5 spring cushion-black	
15	80900501	M5 copper cushion	
16	80746406	M4X6 screw	
17	80810416	M4X16 cylinder head Hexagon - black	





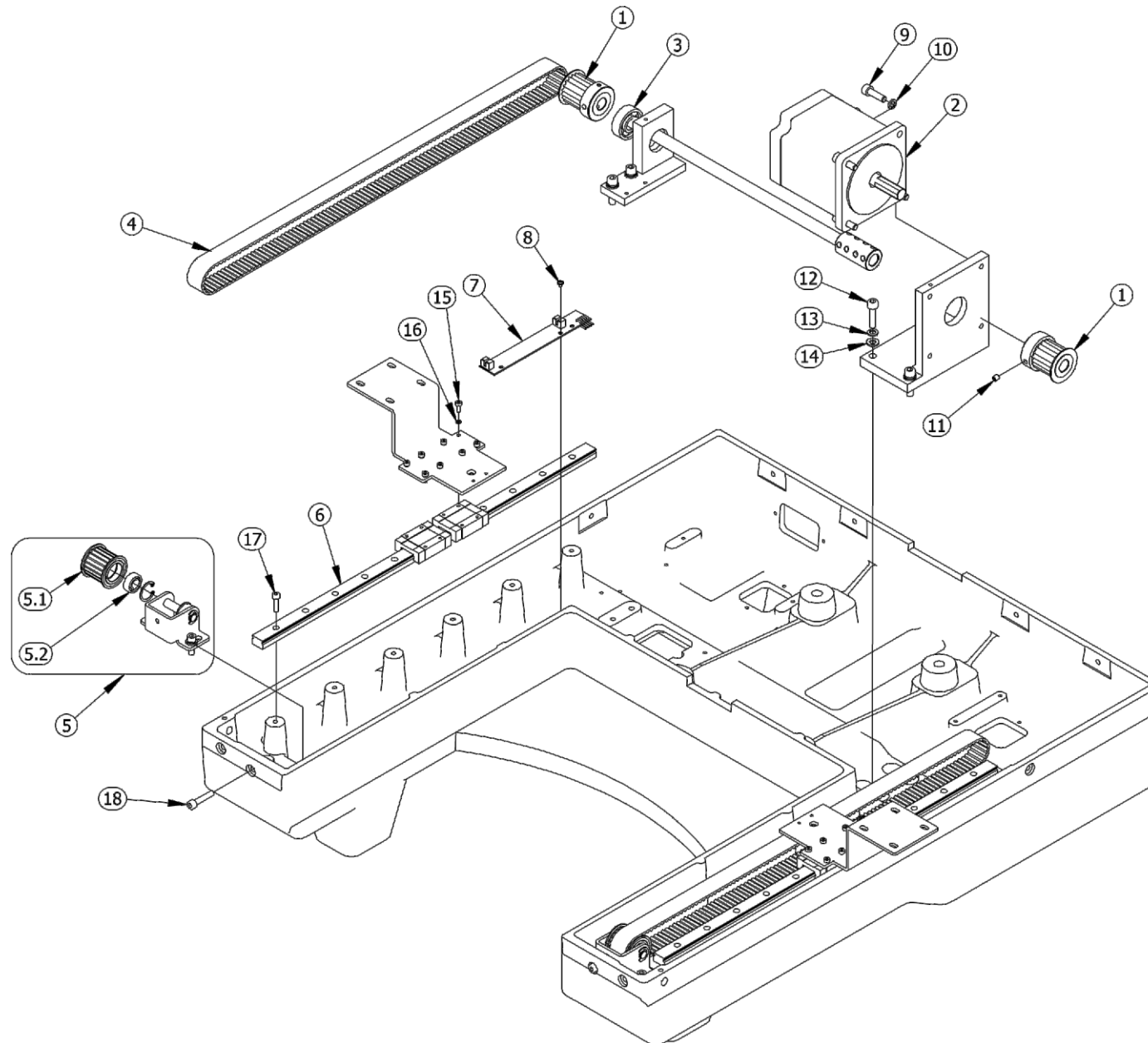
07.X Axis Driving Parts

03070V3

No.	Serial No.	Part name	Remark
1	80015112	Linear guideway FN-BRH15-2-720	
2	03100107BA	belt tension bracket-X	
3	80023602	20-3M-15-12 pulley	
4	03100190	timing belt-X-740	
5	03150820	sensor board-limit position	
6	80023601VA	Pulley-3M-20-17-H8	
7	03100193	60 motor-X axis-L110	
8	03100121AB	X direction motor cover	
9	03100112V1	Light Baffle-Limit-X	
10	80810308	M3X 8 cylinder head Hexagon - black	

No.	Serial No.	Part name	Remark
11	80900313	M3 spring washer- black	
12	80810306	M3X6 cylinder head Hexagon - black	
13	80746406	M4X6 screw	
14	80740401	Screw M4*6	
15	80742305	Flanged semi-circular cross-M3x5	
16	80880506	M5x6 Hexagon socket set-black	
17	80900403	M4 washer	
18	80900413	M4 spring washer - black	
19	80810408	M4x8 screw	

08.Y-Axis Drive System



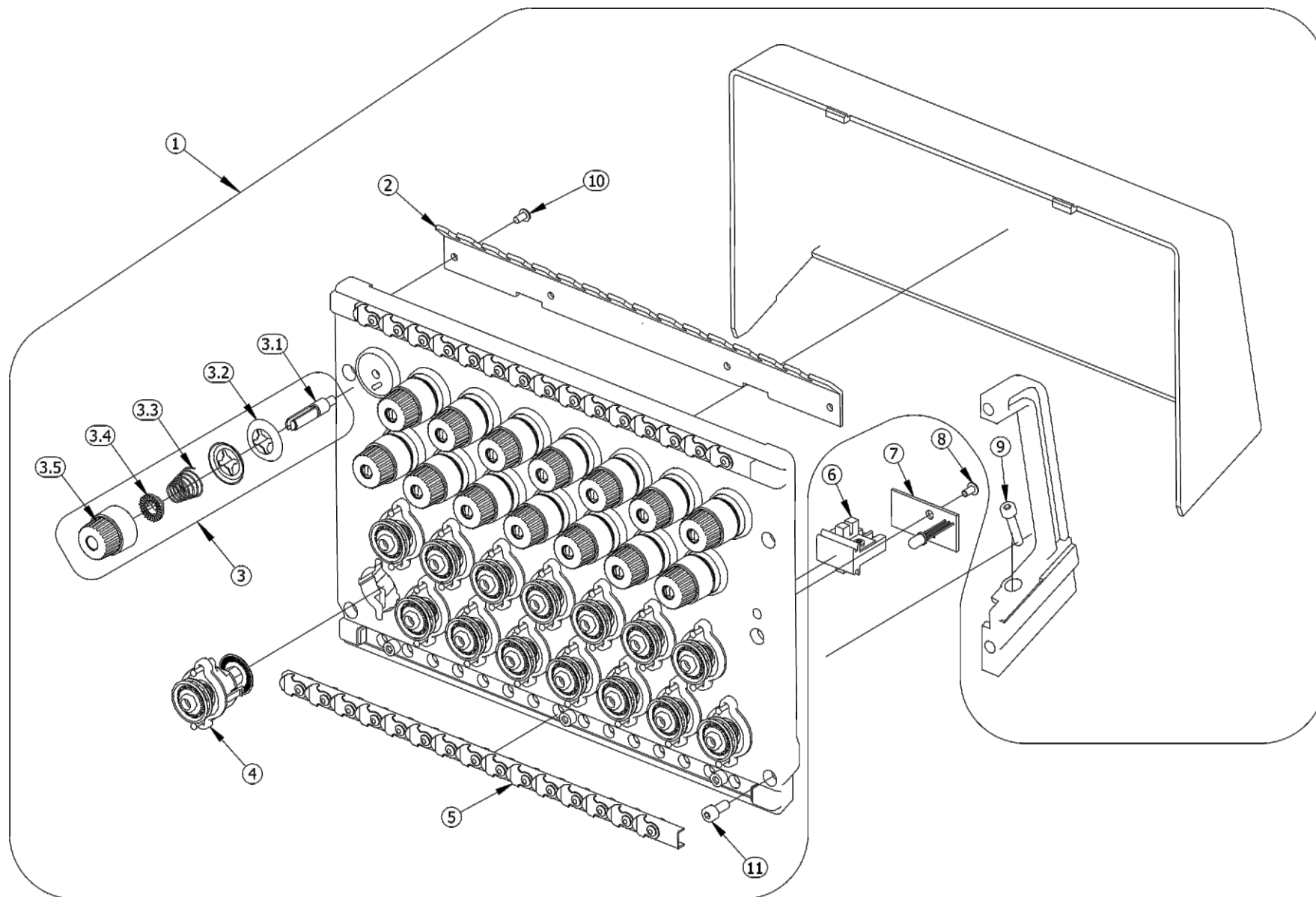


08.Y-Axis Drive System

03080V3

No.	Serial No.	Part name	Remark
1	80025266	pulley-50M-20-22	
2	03105192	86 motor-Y axis-L1150	
3	80031223	Deep Hook Ball Bearing-28-12-8	
4	03105151	timing belt-Y-5M-20-1030	
5	03105134	tensioner pully set	
5.1	80025267	pulley-5M20	
5.2	80030822	ball bearing 19-8-6	
6	80015116BA	liear guide rail-450	
7	03150820	XY sensor board-limit position	
8	80742304	M3X4 screw	

No.	Serial No.	Part name	Remark
9	80810620	M6X20 cylinder head Hexagon - black	
10	80900613	M6 spring washer - black	
11	80880506	M5x6 Hexagon socket set-black	
12	80810625	M6X25 cylinder head Hexagon - black	
13	80900613	M6 spring washer - black	
14	80900601	Flat washer - M6- chrome plating	
15	80810308	M3X 8 cylinder head Hexagon - black	
16	80900313	M3 spring washer- black	
17	80810416	M4X16 cylinder head Hexagon - black	
18	80813525	Hexagon socket head cap screw M5x25– stainless steel	





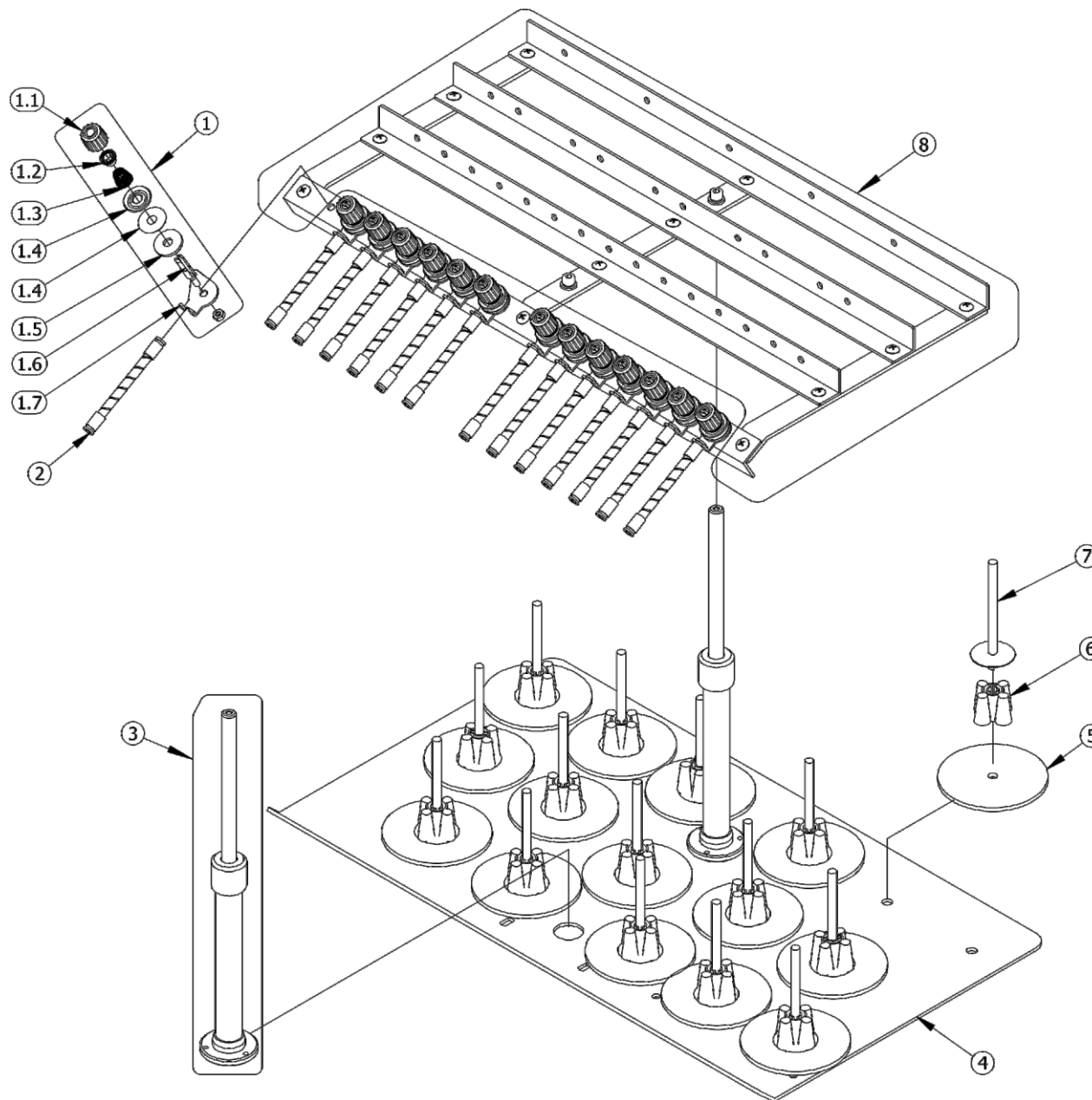
09.Thread tension base

03090V3

No.	Serial No.	Part name	Remark
1	03144391VA	Thread clamp base-15-RCM	
2	03144310	Thread guide support plate – 15 needles	
3	03144254	Adjusting knob – yarn trapper	
3.1	03144208	Wiring nail - wheel	
3.2	03144203	Clamp plate	
3.3	03144224	Tension Spring	
3.4	03144226	Lock washer - wheel	
3.5	03144207	Wire clamping knob - wheel	

No.	Serial No.	Part name	Remark
4	03144252	thread course wheel module-bearing	
5	03144353	Thread course board-15	
6	03150801MT	sensor board-detecting thread break-MT	
7	03150802	alarm sensor board	
8	80742306	M3X6 screw	
9	80810420	M4X20 cylinder head Hexagon - black	
10	80740306	M3x6 screw	
11	80813410	M4x10 screw	

10.Thread stand





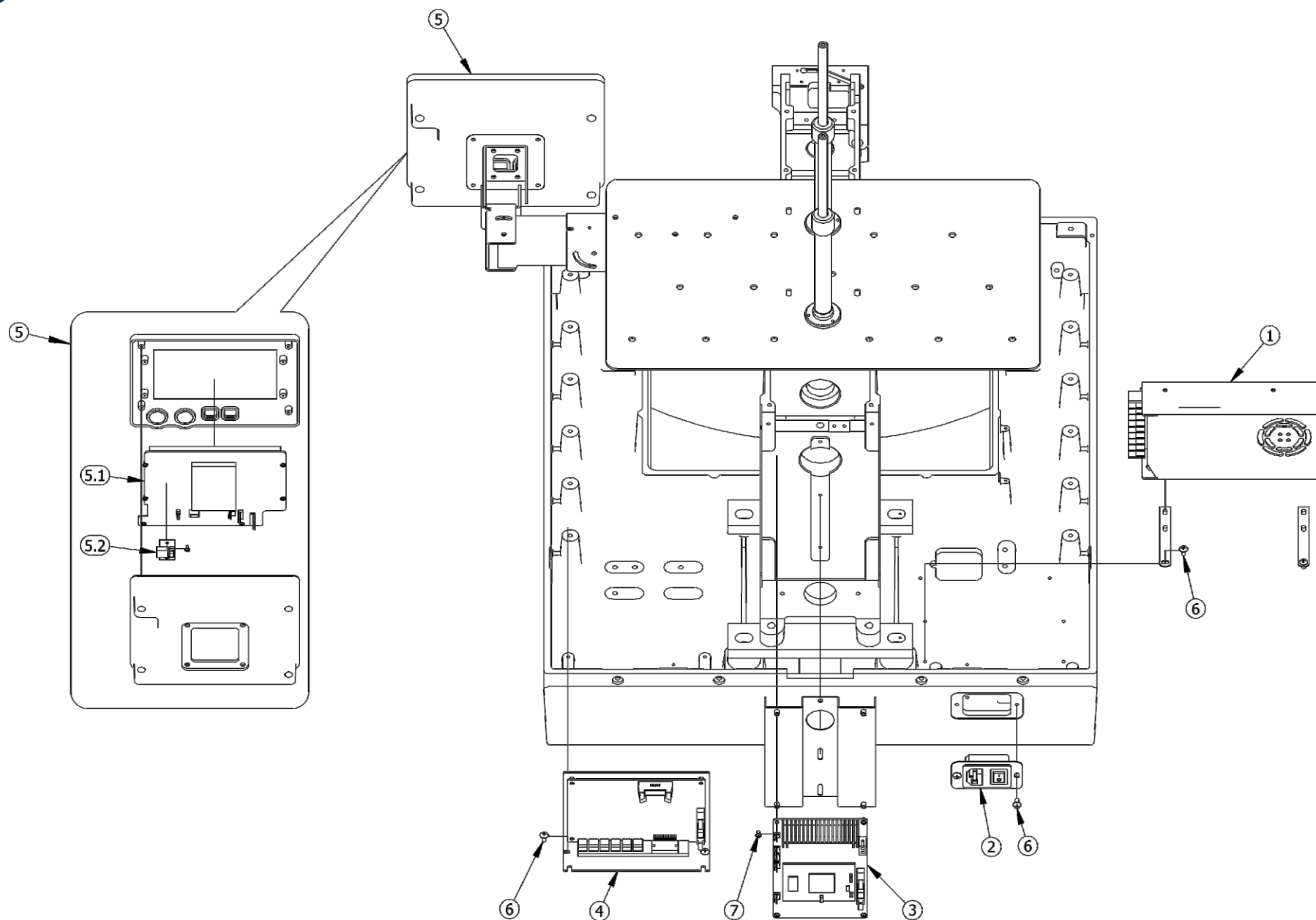
10.Thread stand

03100V3

No.	Serial No.	Part name	Remark
1	03144260	Adjusting knob assembly-gray	
1.1	03144207	Wire clamping knob - wheel	
1.2	03144226	Lock washer - wheel	
1.3	03144209	Tension Spring-Wheel	
1.4	03144202	press plate	
1.5	03141002	Felt-Thread Stand	
1.6	03144208	Wiring nail - wheel	
1.7	03141001	Threading base	

No.	Serial No.	Part name	Remark
2	03044360	Threading pip	
3	03044152VA	Lifting stand - Aluminum alloy	
4	03044114	thread plate 12/15	
5	80211007	stand B25	
6	80211008	cushion B5	
7	80211009	foam rubber cushion	
8	03044191	thread stand module -15	

11. Control panel -7 inch





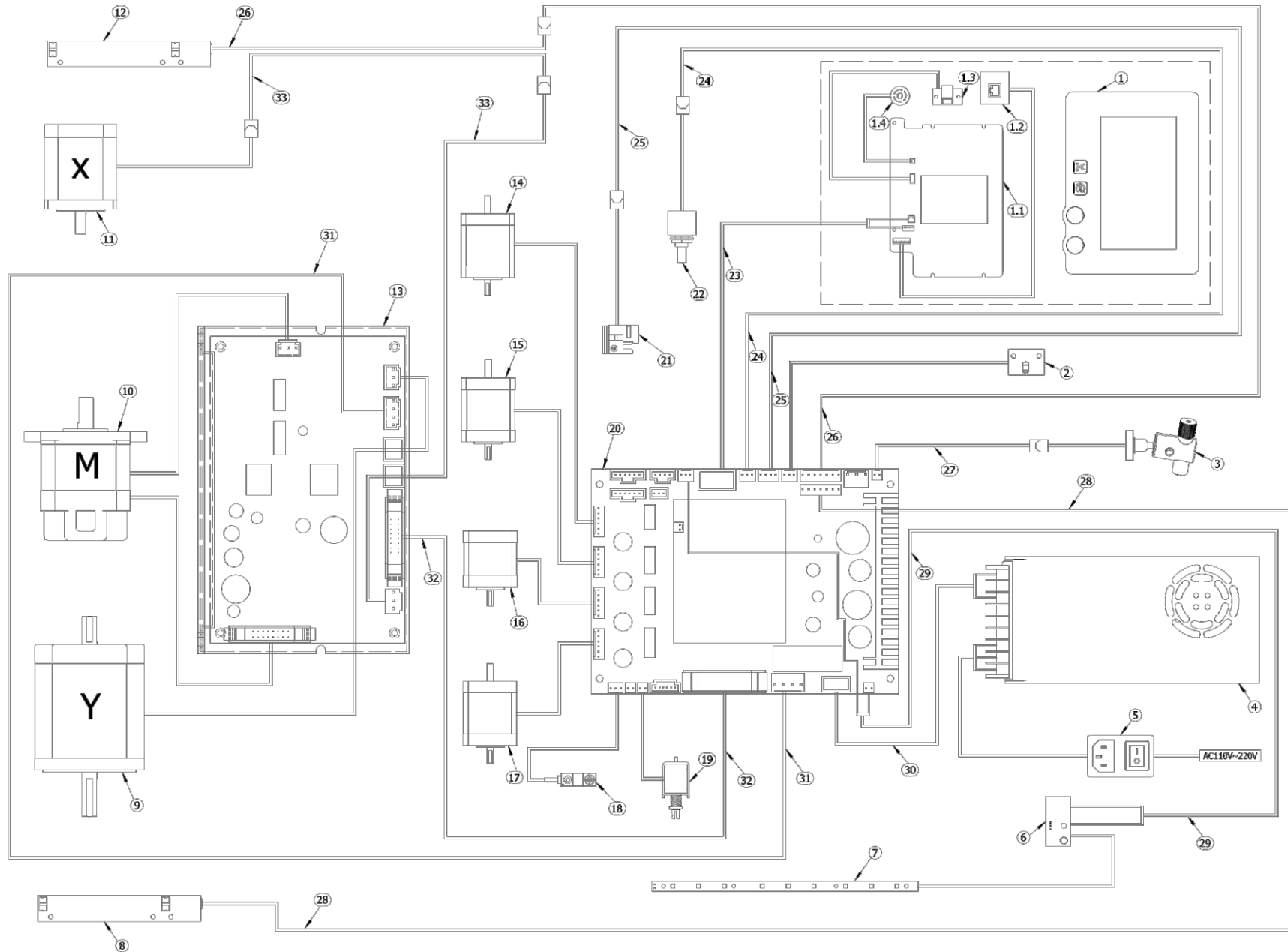
11. Control panel -7 inch

03110V3

No.	Serial No.	Part name	Remark
1	80380641	Switching power supply-HF350W-DC-24	
2	3006153101	Power Switch	
3	03150760RT	multi-function board-RT7P	
4	03150360RT	3 in 1 driver	
5	03151561RT	control panel module-RT7P	

No.	Serial No.	Part name	Remark
5.1	03150204RT	Main board-RT7P	
5.2	03150206BA	USB interface board-OEM	
6	80746408	M4x8 round head Phillips -nickel-plated	
7	80742306	M3X6 screw	

11. Control panel -7 inch (2)





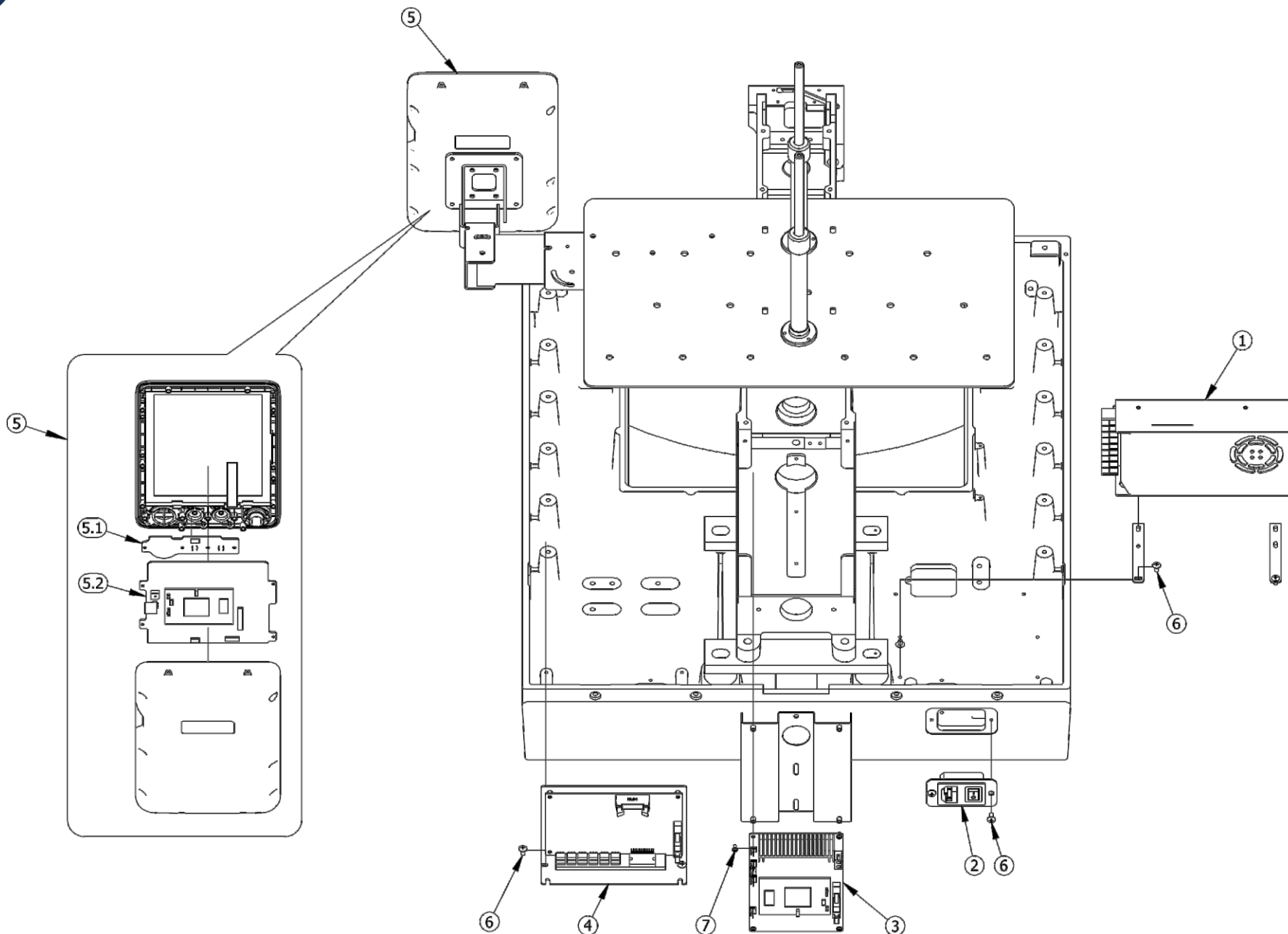
11. Control panel -7 inch (2)

03110V3

No.	Serial No.	Part name	Remark
1	03151561RT	control panel module-RT7P	
1.1	03150204RT	Main board-RT7P	
1.2	03150601RT	network interface board-RT7P	
1.3	03150206BA	USB interface board-OEM	
1.4	03150231	emergency button	
2	03150810	sensor board-zero position	
3	05313121	Laser head	
4	80380641	Switching power supply-HF350W-DC-24	
5	3006153101	Power Switch	
6	03150802	alarm sensor board	
7	03090512	Alarm sensor board-LED-12-P	
7	03090515	Alarm sensor board-LED-15-P	
8	03150820	sensor board-limit position	
9	03105192	86 motor-Y axis-L1150	
10	03021191	70 motor-main axis-L350	
11	03100193	60 motor-X axis-L110	
12	03150820	sensor board-limit position	
13	03150360RT	3 in 1 driver	
14	03040593	42 motor-color change-L1200	

No.	Serial No.	Part name	Remark
15	03021291	42 motor-trimming-L600	
16	03040693	42 motor-hooking-L1200	
17	03040692	42 motor-jumping-L1200	
18	80333601	mico approximity switch	
19	03020660	Picker solenoid assembly-SR-P	
20	03150760RT	multi-function board-RT7P	
21	03150801MT	sensor board-detecting thread break-MT	
22	03150833	Multi-turn potentiometer	
23	03154336PT	Power cable + signal cable-7 inch control panel to multi-function board	
24	03154338PT	Signal cable-potentiometer to multi-function board	
25	03154339PT	Signal cable-thread break detection sensor to multi-function board	
26	03154340PT	Signal cable-X axis limit sensor to multi-function board	
27	03154341PT	Power cable-laser device to multi-function board	
28	03154342PT	Signal cable-Y axis limit sensor to multi-function board	
29	03154343PT	Power cable-Head light board to multi-function board	
30	03154344PT	Power cable-switch power to multi-function board	
31	03154345PT	Power cable-multi-function board to 3-in-1 driver	
32	03154346PT	Signal cable-multi-function board to 3-in-1 driver	
33	03154347PT	Power cable-X axis motor to multi-function board	

11. Control panel -8 inch





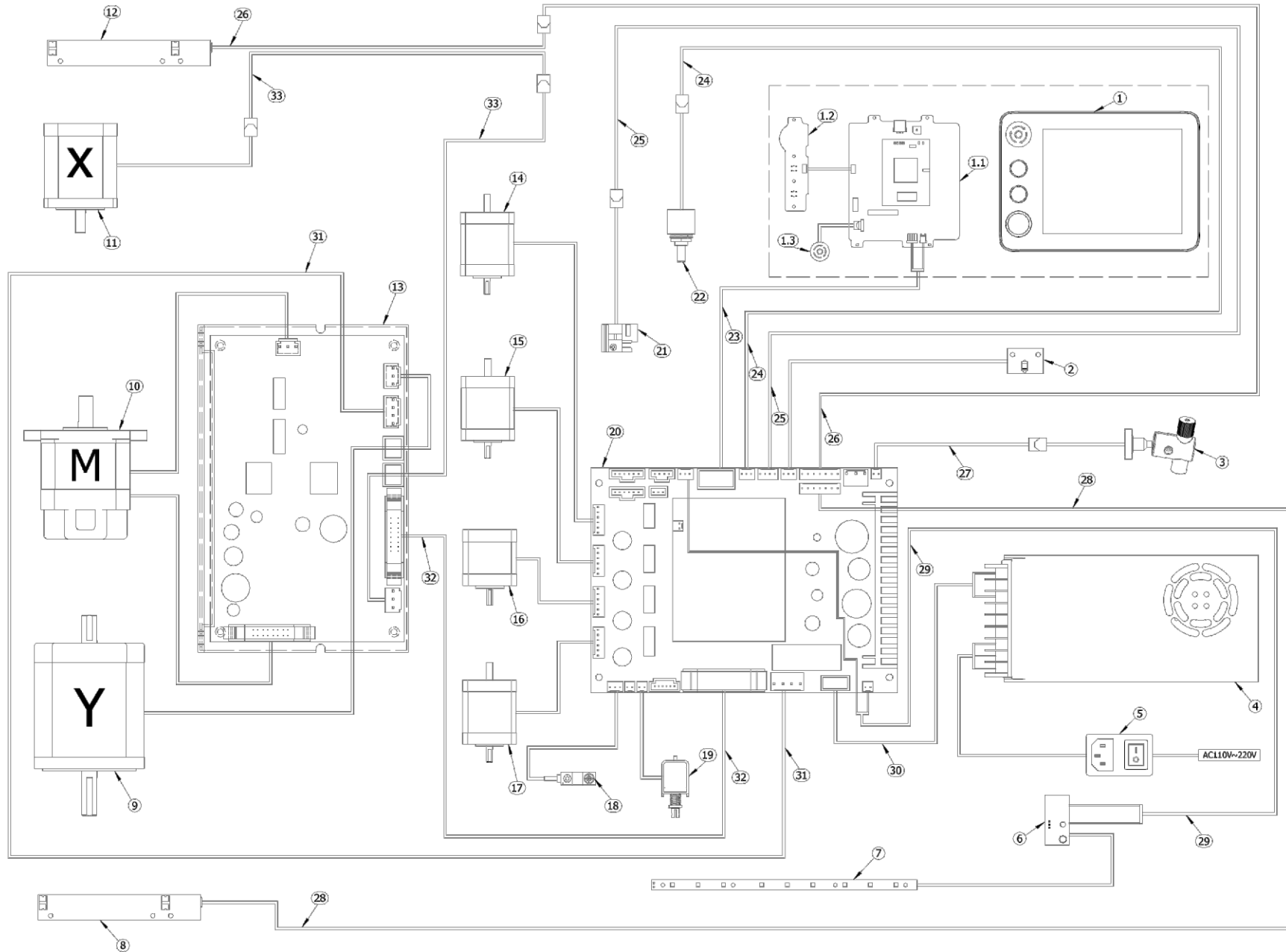
11. Control panel -8 inch

03110V3

No.	Serial No.	Part name	Remark
1	80380641	Switching power supply-HF350W-DC-24	
2	3006153101	Power Switch	
3	03150760RT	multi-function board-RT7P	
4	03150360RT	3 in 1 driver	
5	03151568	control panel module- P8-RCM- blue	

No.	Serial No.	Part name	Remark
5.1	03151516	Button plate-8 inch	
5.2	03150203RT	Main board-508	
6	80746408	M4x8 round head Phillips -nickel-plated	
7	80742306	M3X6 screw	

11. Control panel - 8 inch (2)





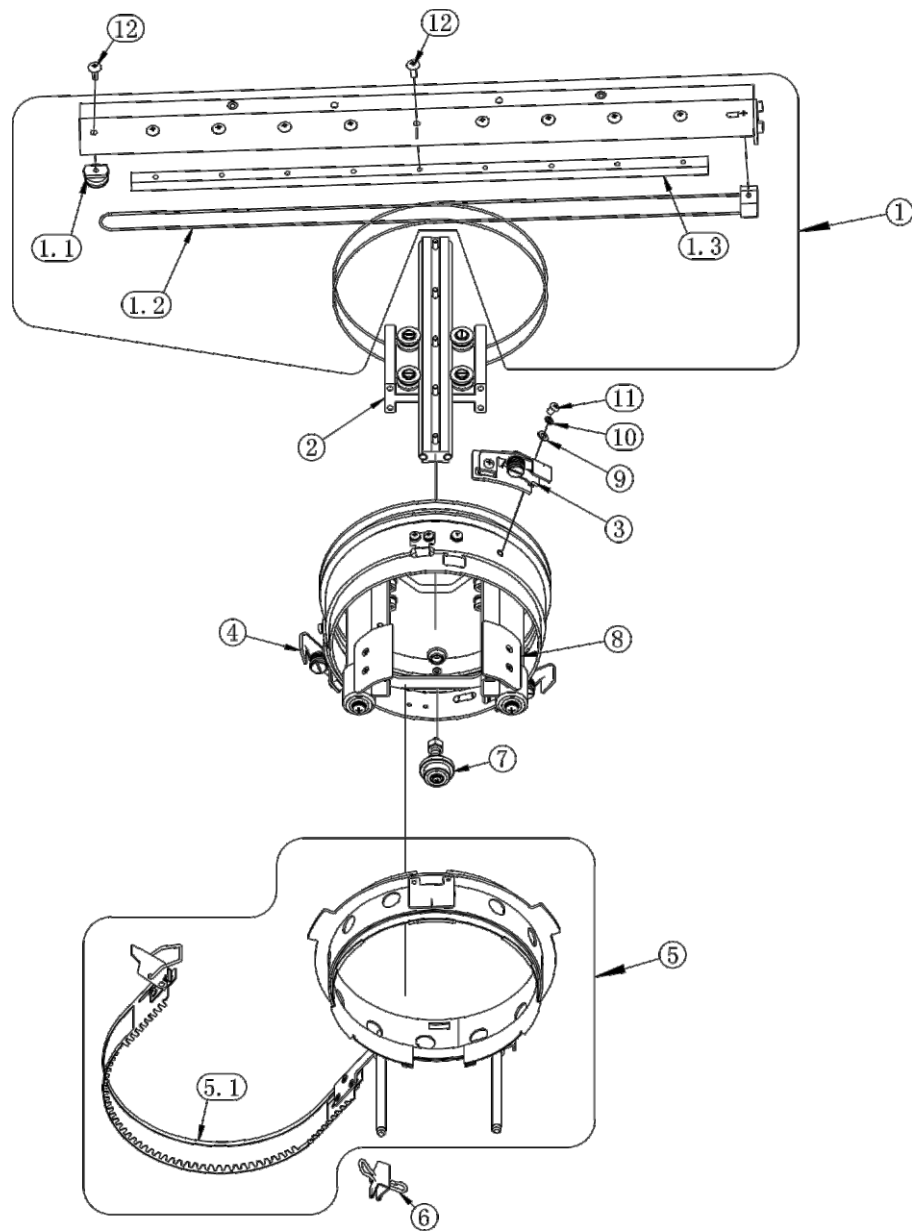
11.Control panel -8 inch (2)

03110V3

No.	Serial No.	Part name	Remark
1	03151568	control panel module- P8-RCM- blue	
1.1	03150203RT	Main board-508	
1.2	03151516	Button plate-8 inch	
1.3	03151515	Emergency switch-8 inch	
2	03150810	sensor board-zero position	
3	05313121	Laser head	
4	80380641	Switching power supply-HF350W-DC-24	
5	3006153101	Power Switch	
6	03150802	alarm sensor board	
7	03090512	Alarm sensor board-LED-12-P	
7	03090515	Alarm sensor board-LED-15-P	
8	03150820	sensor board-limit position	
9	03105192	86 motor-Y axis-L1150	
10	03021191	70 motor-main axis-L350	
11	03100193	60 motor-X axis-L110	
12	03150820	sensor board-limit position	
13	03150360RT	3 in 1 driver	
14	03040593	42 motor-color change-L1200	
15	03021291	42 motor-trimming-L600	

No.	Serial No.	Part name	Remark
16	03040693	42 motor-hooking-L1200	
17	03040692	42 motor-jumping-L1200	
18	80333601	mico proximity switch	
19	03020660	Picker solenoid assembly-SR-P	
20	03150760RT	multi-function board-RT7P	
21	03150801MT	sensor board-detecting thread break-MT	
22	03150833	Multi-turn potentiometer	
23	03154337PT	Power cable + signal cable-8 inch control panel to multi-function board	
24	03154338PT	Signal cable-potentiometer to multi-function board	
25	03154339PT	Signal cable-thread break detection sensor to multi-function board	
26	03154340PT	Signal cable-X axis limit sensor to multi-function board	
27	03154341PT	Power cable-laser device to multi-function board	
28	03154342PT	Signal cable-Y axis limit sensor to multi-function board	
29	03154343PT	Power cable-Head light board to multi-function board	
30	03154344PT	Power cable-switch power to multi-function board	
31	03154345PT	Power cable-multi-function board to 3-in-1 driver	
32	03154346PT	Signal cable-multi-function board to 3-in-1 driver	
33	03154347PT	Power cable-X axis motor to multi-function board	

12.CAP STAND FRAME



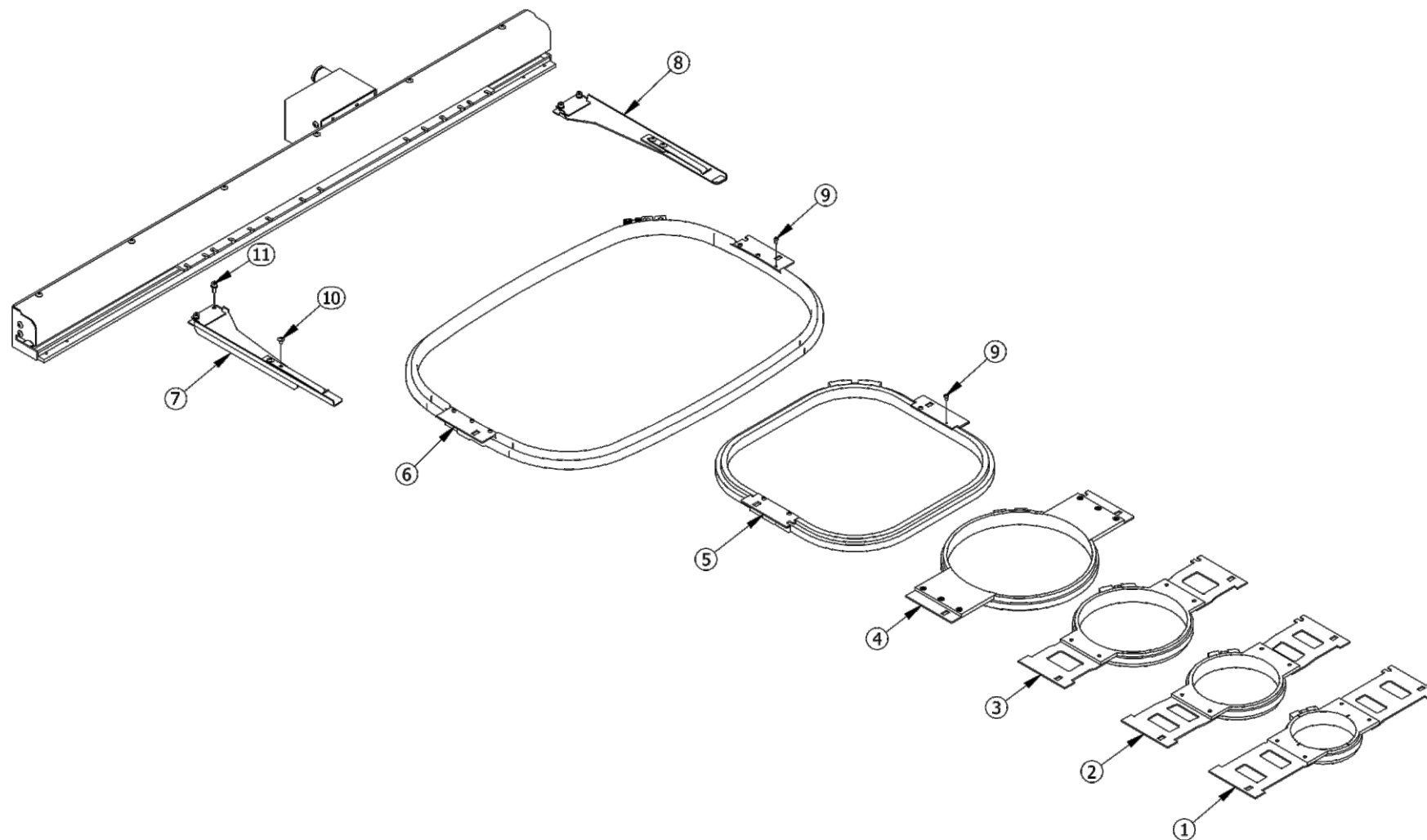


12.CAP STAND FRAME

03120V3

No.	Serial No.	Part name	Remark
1	02815042	Hat rack drive junction plate kit-P-MT	
1.1	02815008	steel wire wheel	
1.2	02815052	Hat rack steel wire-P-MT	
1.3	02815002	cap drive strip	
2	02815039	rail module	
3	02810270	clamp A	
4	02810271	clamp B	
5	02811080	clamp ring	

No.	Serial No.	Part name	Remark
5.1	02811082	cap strapping rod	
6	02811055	clamp ring	
7	02810161	eccentric wheel	
8	02811233	big support plate	
9	80900401	M4 washer	
10	80900418	M4 spring washer	
11	80740401	Screw M4*6	
12	80746412	Screw M4x12	





13.Frame

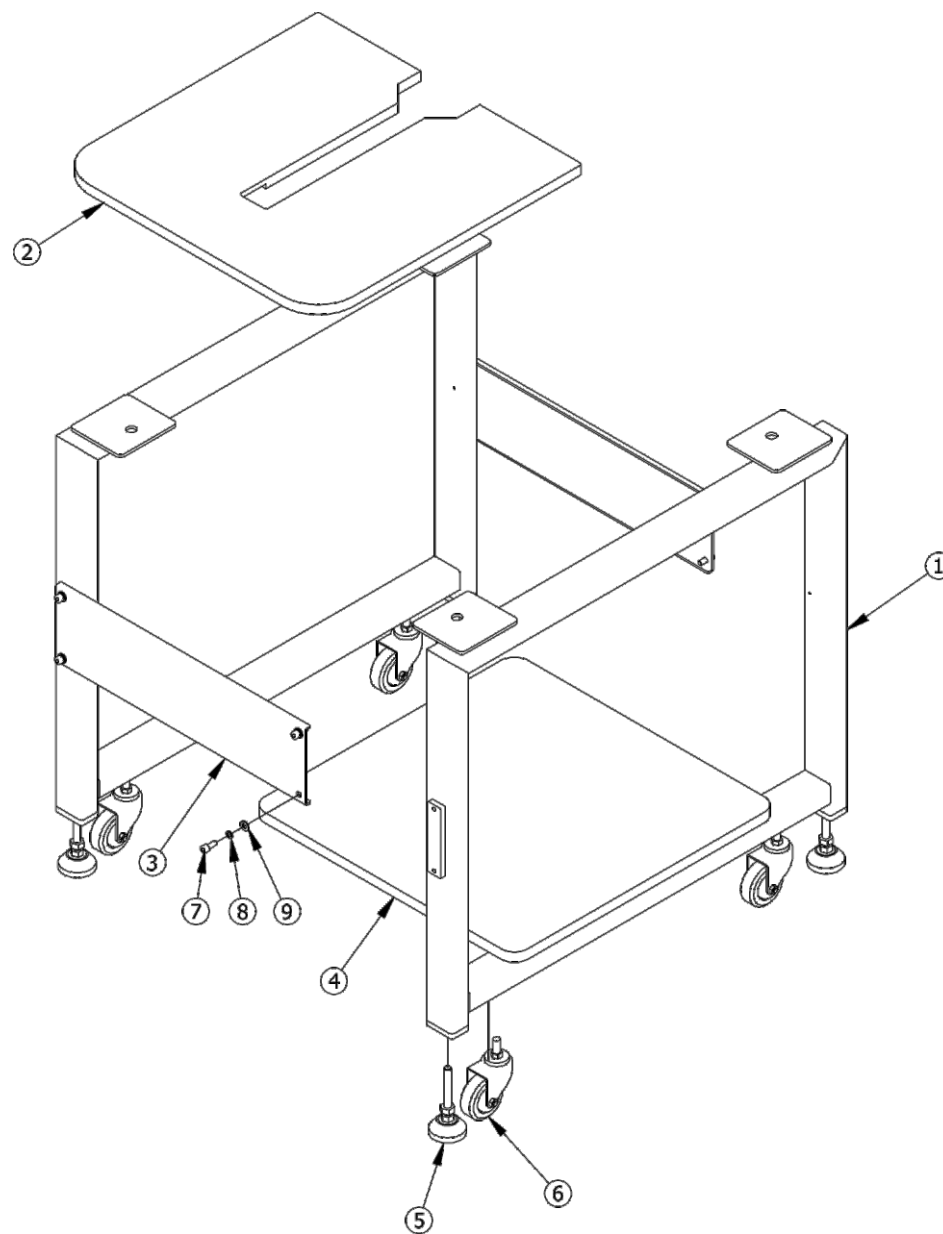
03130V3

No.	Serial No.	Part name	Remark
1	03171181	Round frame-90	
2	03171681	Round frame-120	
3	03172181	Round frame-150	
4	03172681	Round frame-200	
5	03173181	Square frame-290x290	
6	03173691	Square frame-540x360	

No.	Serial No.	Part name	Remark
7	03100292	frame support module-L	
8	03100291	frame bracket module-R	
9	80740306	Screw M3*6-Small Head Philips	
10	80746406	Screw M4*6	
11	80813581	M5*14 Hexagon Socket Caphead Screw	

14. Stand and table

03140V3





14. Stand and table

03140V3

No.	Serial No.	Part name	Remark
1	03012721	Stand -PT-FG	
2	03010301VA	Table-DT-small shuttle box	
3	03012711	Connect plate	
4	03012725	table	
5	80270822	Support Feet-Nylon-50-M12*80	

No.	Serial No.	Part name	Remark
6	80270501	Screw lever truckle-65M12	
7	80813820	M8x20 hexagon cap	
8	80900818	M8 spring shim-stainless steel	
9	80900801	M8 plain washer	

