



Home Embroidery Machine

# PARTS REFERENCE LIST

---

**MODEL: PR1000e**

**CONFIDENTIAL**

©2011 Brother Industries, Ltd.  
All rights reserved.

Published: Jul.,2011  
Revised: Apr.,2016

# MODEL LIST

Model	Countries (Added Date)
PR1000e	USA, CAN, DEU&FRA&ITA&CHE&EEU&NEU, UK, ESP, RUS (Jul / 2011)
PR1000e	ARG, CHL&PER, PRY, BRA, MEX, TWN, AUS&NZL (Jul / 2011)
PR1000e	IND, VNM&IDN&PHL&MYS&SGP&THA&TUR&UAE (Sep / 2011)
PR1000e	CHN (Feb / 2012)
PR1000e	VNM&IDN&PHL&MYS&SGP&THA&TUR&UAE (Jul / 2012)
PR1000e	TWN (Mar / 2014)
PR1000e	KOR (May / 2015)



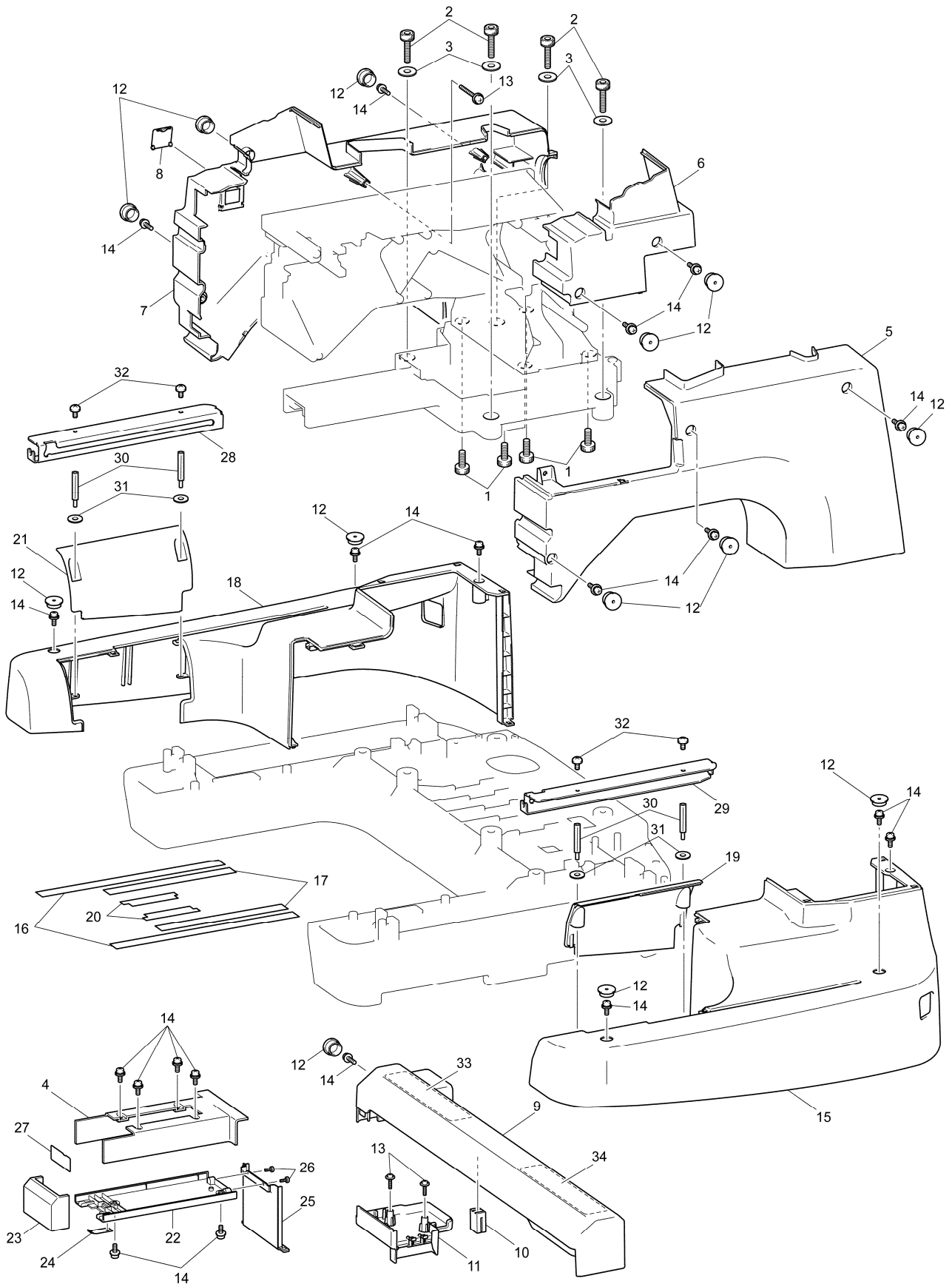
## CONTENTS

(1) MAIN FRAME / COVER .....	2
(2) UPPER SHAFT MECHANISM.....	4
(3) NEEDLE BAR MECHANISM.....	6
(4) NEEDLE CHANGER UNIT .....	10
(5) NEEDLE THREADING MECHANISM .....	12
(6) ELECTRIC PARTS .....	14
(7) MAIN MOTOR UNIT .....	18
(8) XYCARRIAGE MECHANISM .....	20
(9) LOWER SHAFT MECHANISM.....	26
(10) THREAD CUTTING MECHANISM .....	28
(11) WIPER MECHANISM .....	30
(12) UPPER THREADING MECHANISM .....	32
(13) ACCESSORY PARTS .....	38
(14) PACKAGE / USER MANUAL.....	40
(15) SPARE PARTS / ADJUSTING PARTS.....	42

**Note on parts:**

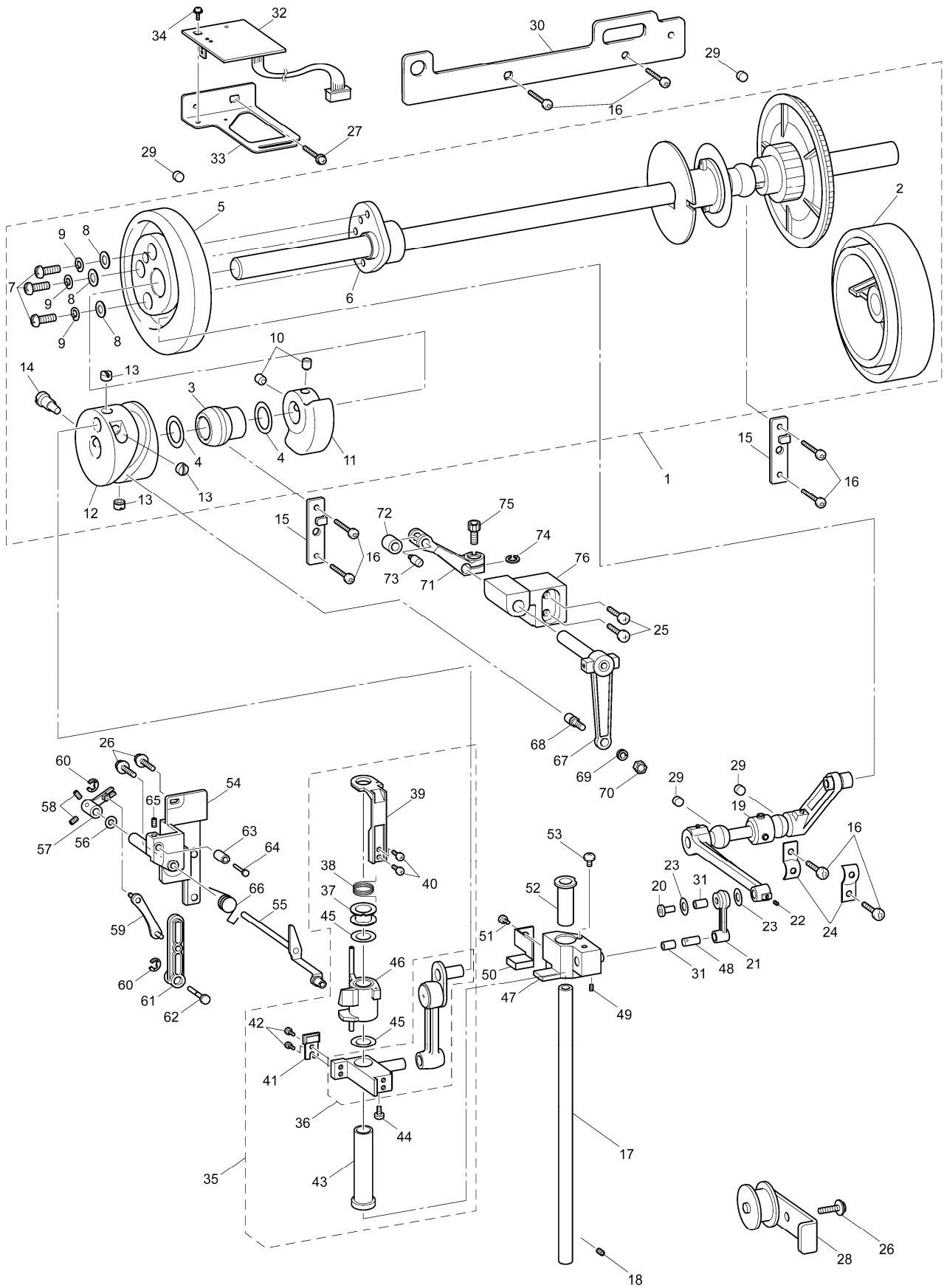
We keep performance parts for this sewing machine for at least 8 years after this model is discontinued. Performance parts are the necessary parts to maintain the function of the sewing machine.

# (1) MAIN FRAME / COVER





## (2) UPPER SHAFT MECHANISM

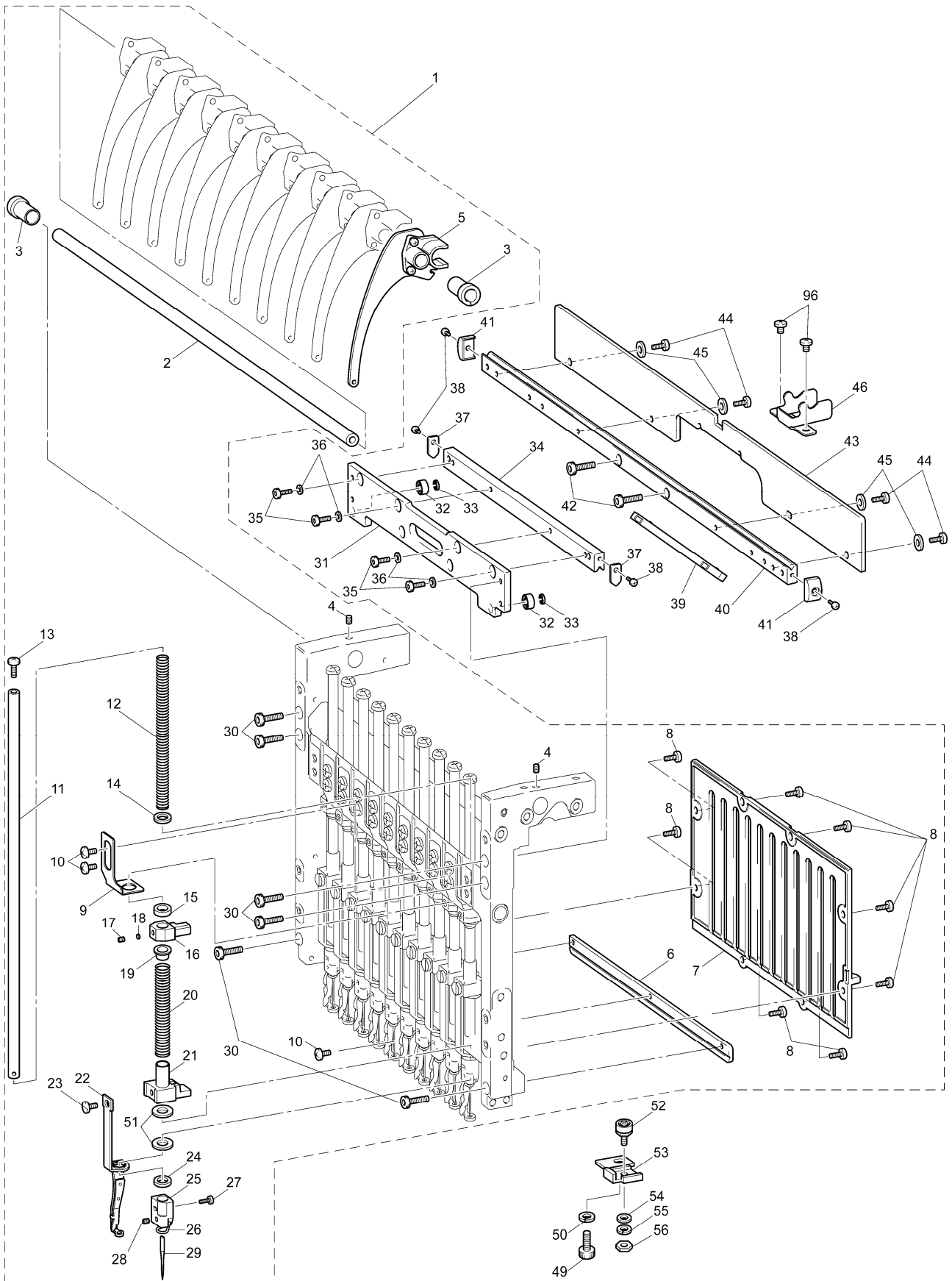


## (2) UPPER SHAFT MECHANISM

No.	CODE	NAME	R/H	REMARKS	No.	CODE	NAME	R/H	REMARKS
1	XE3702302	UPPER SHAFT SUPPLY ASSY		1000052915	45	131976050	WASHER, THRUST		
2	XC5597152	PULLEY			46	XE7550001	JUMP BRACKET		
3	XC5603051	UPPER SHAFT METAL			47	XC5635151	P-FOOT VERTICAL BASE		
4	X55548050	WASHER, TRUST			48	XC5636151	P-FOOT VERTICAL PIN		
5	XC5605251	PRESSER FOOT CAM		1000052915	49	014400432	SET SCREW, SOCKET (CP) M4X4		
6	XC5606051	PRESSER FOOT CAM COLLAR			50	XC5638251	PRESSER FOOT CUSHION BASE	H	1000048831
7	062401213	SCREW PAN M4X12			51	060300516	SCREW, BIND M3X5		
8	025040133	WASHER, PLAIN S 4			52	XC5637051	P-FOOT VERTICAL BUSH		
9	028040343	WASHER SPRING 3-4			53	008260304	SCREW, TRUSS M2.6X3		
10	014500632	SET SCREW SOCKET (CP) M5X6			54	XC5648051	J BASE ASSY		
11	XC5607051	BALANCER			55	XC5651051	J DRIVING LEVER ASSY		
12	XC5609051	THREAD TAKE-UP CAM			56	X53027050	WASHER		
13	XE1211001	SET SCREW (CP) SM6.35			57	XC5656051	J DIFFERENTIAL LEVER		
14	XC5610051	SCREW			58	014300432	SET SCREW, SOCKET (CP) M3X4		
15	XC6362051	METAL PRESSER			59	XC5657051	J LINK ASSY		
16	X57908052	TAPTITE, BIND S M4X10			60	048040343	RETAINING RING, E4		1000038911
17	XC5623051	BASE NEEDLE BAR			61	XC5661051	J SLIDE LEVER		
18	014500632	SET SCREW, SOCKET (CP) M5X6			62	XC5662051	J SLIDE LEVER SHAFT		
19	XC5624351	DRIVING SHAFT ASSY, P-FOOT			63	XC5663051	J CUSHION		
20	XC5632251	P-FOOT LEVER SHAFT			64	XC5664051	J CUSHION PIN		
21	XC5633251	CONNECTING ROD, P-FOOT			65	012300432	SET SCREW, SOCKET (FT) M3X4		
22	014400432	SET SCREW, SOCKET (CP) M4X4			66	XC5665051	J LEVER SPRING		
23	X50546050	WASHER, THRUST			67	XC5639051	DRIVING LEVER ASSY, T/TAKE-UP		
24	132421051	BUSHING PRESSER			68	XC5627051	ROLLER SHAFT ASSY		
25	060501216	SCREW, BIND M5X12			69	028050246	WASHER, SPRING 2-5		
26	0A5401006	SCREW, PAN (S/P WASHER) M4X10		1000028394	70	021500103	NUT, 1 M5		
27	138172051	SCREW, PAN (S/P WASHER) M4X10			71	XC5645051	DIFFERENTIAL LEVER, T/TAKE-UP		
28	XC6784151	TENSION PULLEY ASSY		1000051227	72	107550002	ROLLER		
29	XC3183051	FELT			73	S32575001	THREAD TAKE-UP ROLLER PIN		
30	XE7848101	LED LEAD WIRE HOLDER		1000053980	74	148782001	SPACER		
31	XZ0207051	LINK FELT, 3.3M			75	018501232	BOLT, SOCKET M5X12		
32	XC6136051	ASSY: MAIN SHAFT SENSOR			76	XC5646051	BEARING, T/TAKE-UP		
33	XC5666051	SENSOR HOLDER							
34	XC7564051	SCREW, PAN (S/P WASHER) M3X6							
35	XZ0319151	JUMP BRACKET ASSY							
36	XC7135051	CRANK ROD SET	H						
37	XC5616051	J SPRING COLLAR							
38	XC5617051	J SPRING							
39	XC5614051	J BRACKET							
40	062300416	SCREW, PAN M3X4							
41	XC5622051	J CUSHION BASE							
42	062260316	SCREW, PAN M2.6X3							
43	XC5621051	J VERTICAL BUSH							
44	008260304	SCREW, TRUSS M2.6X3							



### (3) NEEDLE BAR MECHANISM





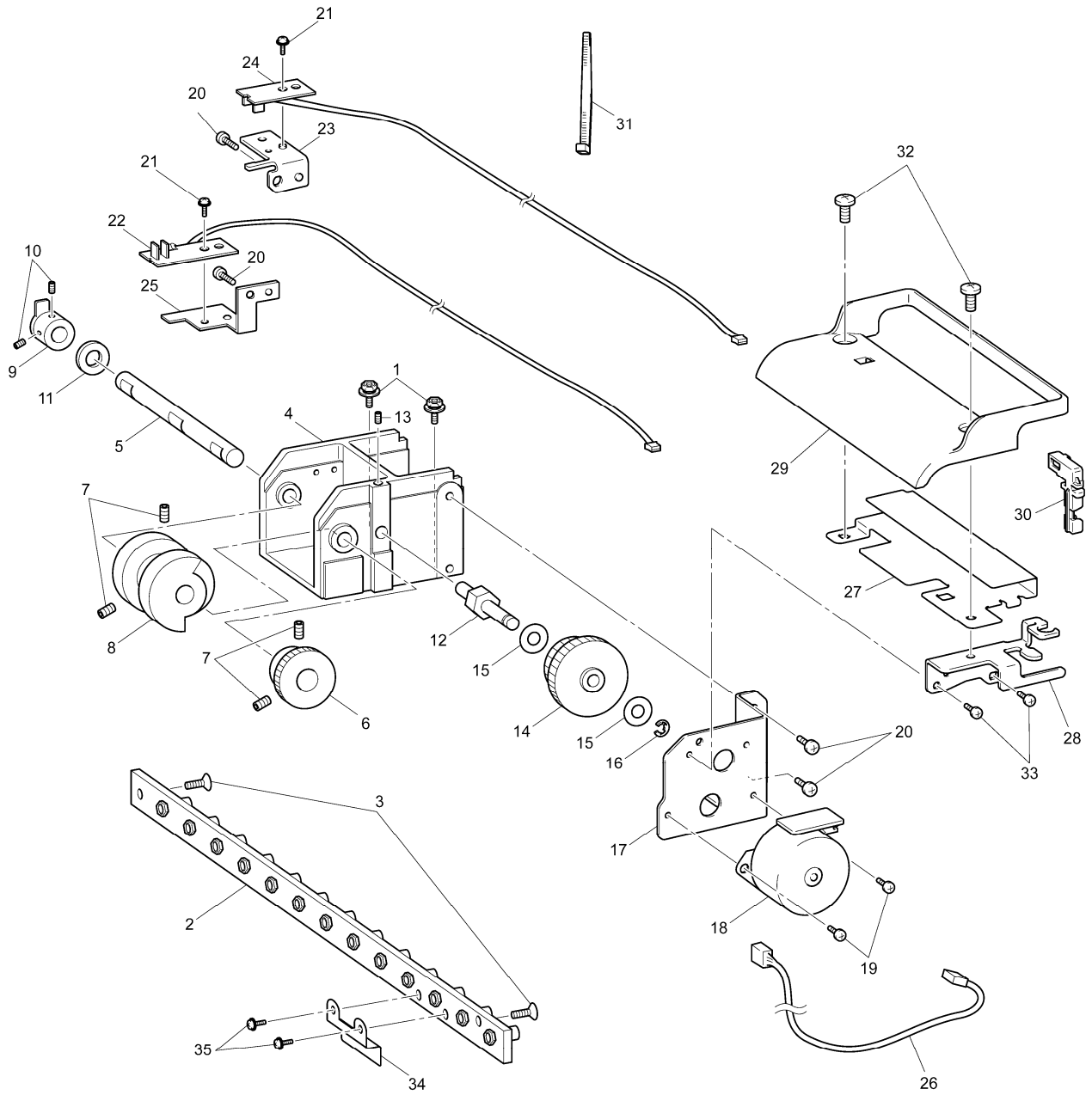
### (3) NEEDLE BAR MECHANISM

No.	CODE	NAME	R/H	REMARKS	No.	CODE	NAME	R/H	REMARKS
1	XE8861101	NEEDLE BAR UNIT 10 ASSY			45	025040236	WASHER, PLAIN M 4		
2	XE7851001	THREAD TAKE-UP SHAFT			46	XE7861001	THREAD LEVER GUIDE PLATE		
3	XC5672051	THREAD TAKE-UP BUSH			47	XE7862001	THREAD LEVER COVER HOLDER		
4	012400432	SET SCREW, SOCKET (FT) M4X4			48	0A4300806	SCREW PAN (S/P WASHER) M3X8		1000042411
5	XC5673051	THREAD TAKE-UP LEVER ASSY			49	018501632	BOLT SOCKET M5X16		
6	XE7852101	CASE GUIDE, D			50	028050246	WASHER SPRING 2-5		
7	XE7853001	GUIDE RAIL, NEEDLE BAR			51	XC7249052	NEEDLE BAR FELT S	H	
8	060400816	SCREW BIND M4X8			52	XC7472051	CASE POSITIONING SHAFT ASSY		
9	XC5678151	TOP DEAD CENTER PLATE			53	XC5702151	CASE POSITIONING PLATE		
10	060400616	SCREW, BIND M4X6			54	025040236	WASHER PLAIN M 4		
11	XC5679051	NEEDLE BAR			55	028040246	WASHER SPRING 2-4		
12	XC5680051	SPRING, NEEDLE BAR			56	021400206	NUT 2 M4		
13	062500816	SCREW, PAN M5X8							
14	118735002	WASHER							
15	S36153100	RUBBER, CUSHION	H						
16	XE1172001	NEEDLE BAR CLAMP							
17	014680432	SET SCREW, SOCKET SM4.37-40X4							
18	100507050	WASHER							
19	XC5682051	PRESSER FOOT SPRING COLLAR							
20	XC5683051	PRESSER FOOT SPRING							
21	XC5684051	PRESSER FOOT CLAMP							
22	XC5685151	PRESSER FOOT ASSY							
23	XC5688051	SCREW, P/F		1000034182					
24	XC5689051	PRESSER FOOT CUSHION	H						
25	XC5690051	THREAD GUIDE, NEEDLE BAR							
26	XC7020051	THREAD GUIDE							
27	XC7021052	SCREW SM 2.38							
28	016300436	SET SCREW, SOCKET (CN) M3X4							
29	XC5691011	NEEDLE HAX130 EBBR							
30	018401632	BOLT, SOCKET M4X16							
31	XE7855001	CASE BRACKET ASSY							
32	070694809	BALL BEARING RADIAL 694ZZ							
33	048030343	RETAINING RING, E3		1000038911					
34	XE7857001	CASE GUIDE, US							
35	018400832	BOLT, SOCKET M4X8							
36	XC7406051	WASHER							
37	XC5697051	SLIDE ROLLER STOPPER							
38	062300416	SCREW, PAN M3X4							
39	XE7858001	SLIDE ROLLER							
40	XE7859001	CASE GUIDE, UL							
41	XC5700051	CASE GUIDE COVER, UL							
42	018401232	BOLT, SOCKET M4X12							
43	XE7860001	THREAD TAKE-UP GUIDE							
44	062400816	SCREW, PAN M4X8							

### (3) NEEDLE BAR MECHANISM

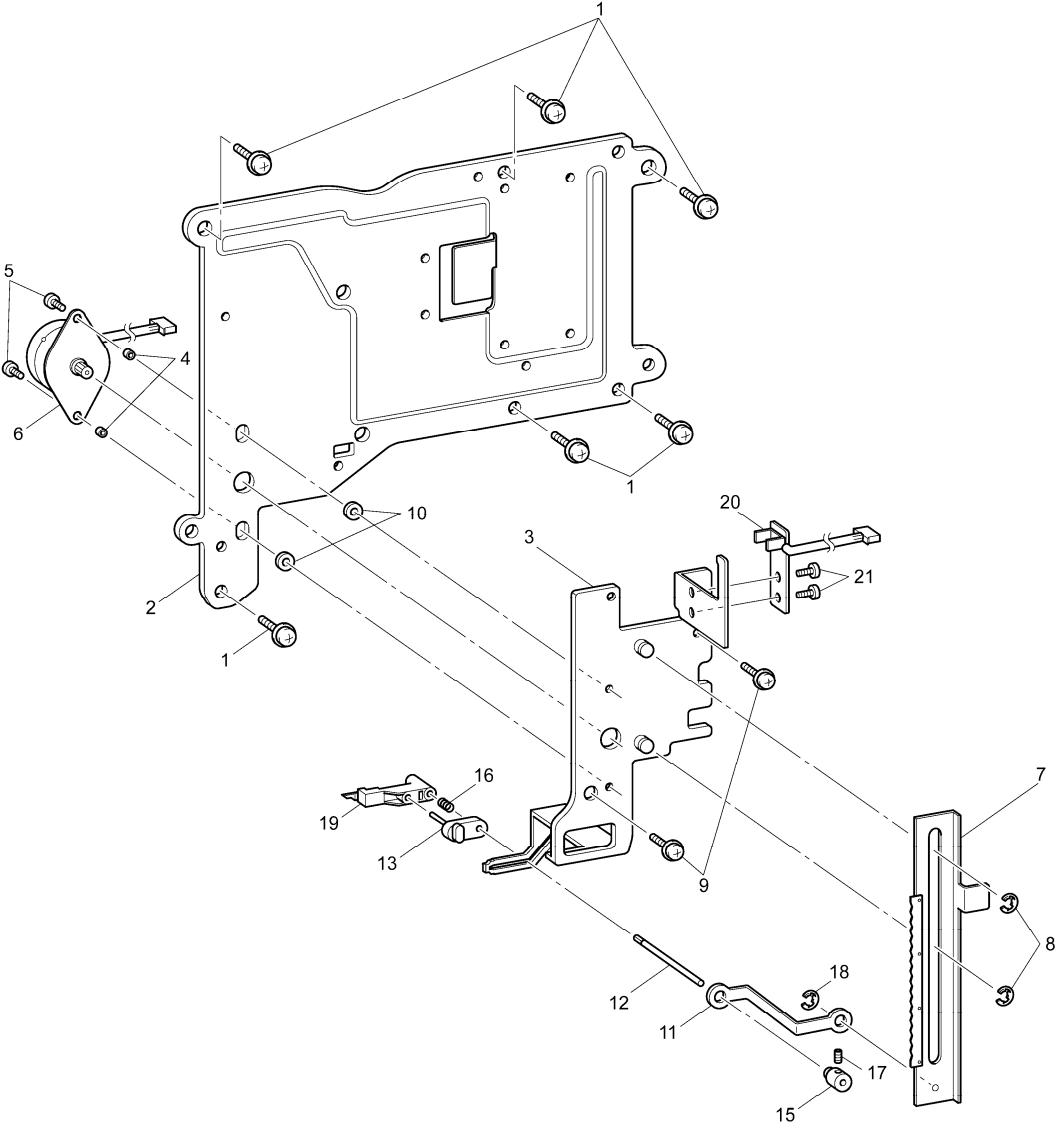
No.	CODE	NAME	R/H	REMARKS
57	X59915021	SPRING WASHER		
58	048030343	RETAINING RING E3		1000038911
59	<del>XE7863101</del>	CMR HOLDER LR		<del>1000053653</del>
60	XE7849001	CMR HOLDER BF ASSY		
61	XE4060101	CMR COVER		
62	XE4062001	CMR COVER CAP		
63	XE5161001	CAMERA MODULE SUPPLY ASSY		
64	XE7935001	CAMERA RELAY PCB ASSY:CAMERA		
65	XE7939001	LEAD WIRE ASSY:CAMERA RELAY		
66	XE7865001	N.BAR CASE CABLE HOLDER L		
67	XE7866001	N.BAR CASE CABLE HOLDER T		
68	XE7905001	CMR RELAY PCB INSULATING SHEET		
69	XE7899001	NEEDLE BAR CAP		
70	060400816	SCREW BIND M4X8		
71	XE8231001	THREAD HOLDER BASE ASSY		
72	060300416	SCREW BIND M3X4		
73	XE8079001	NEEDLE THREAD PRESSER PLATE		
74	XC5962051	SPRING		
75	048015343	RETAINING RING E1.5		1000038911
76	XE8081001	LED HOLDER		
77	XE8082001	LED COVER		
78	<del>XG5488001</del>	<del>LED1 PCB SUPPLY ASSY</del>		<del>1000053499</del>
79	<del>XE7964004</del>	<del>LED INSULATING SHEET PR1000</del>		<del>DEL</del>
80	XE6263002	LED UPPER COVER		
81	XE8083001	LED COVER CAMERA		
82	<del>XG5489001</del>	<del>LED2 PCB SUPPLY ASSY</del>		<del>1000053499</del>
83	<del>XE6208004</del>	<del>LED INSULATING SHEET</del>		<del>DEL</del>
84	XE7952001	LEAD WIRE ASSY:LED1 PR1000		
85	XE7953001	LEAD WIRE ASSY:LED2 PR1000		
86	XE8085001	CUTTER COVER		
87	X80321001	NT LOWER THREAD CUTTER		
88	0A5300606	SCREW PAN (S/P WASHER) M3X6		
89	060300416	SCREW BIND M3X4		
90	060300616	SCREW BIND M3X6		
91	X59629051	TAPTITE BIND B M3X10		
92	XC6055051	SCREW, BIND M3X3		
93	060400616	SCREW BIND M4X6		
94	0A4401006	SCREW PAN (S/P WASHER) M4X10		
95	XE7911001	BOLT SOCKET(S/P WASHER)M3X6		
96	060400516	SCREW BIND M4X5		

# (4) NEEDLE CHANGER UNIT





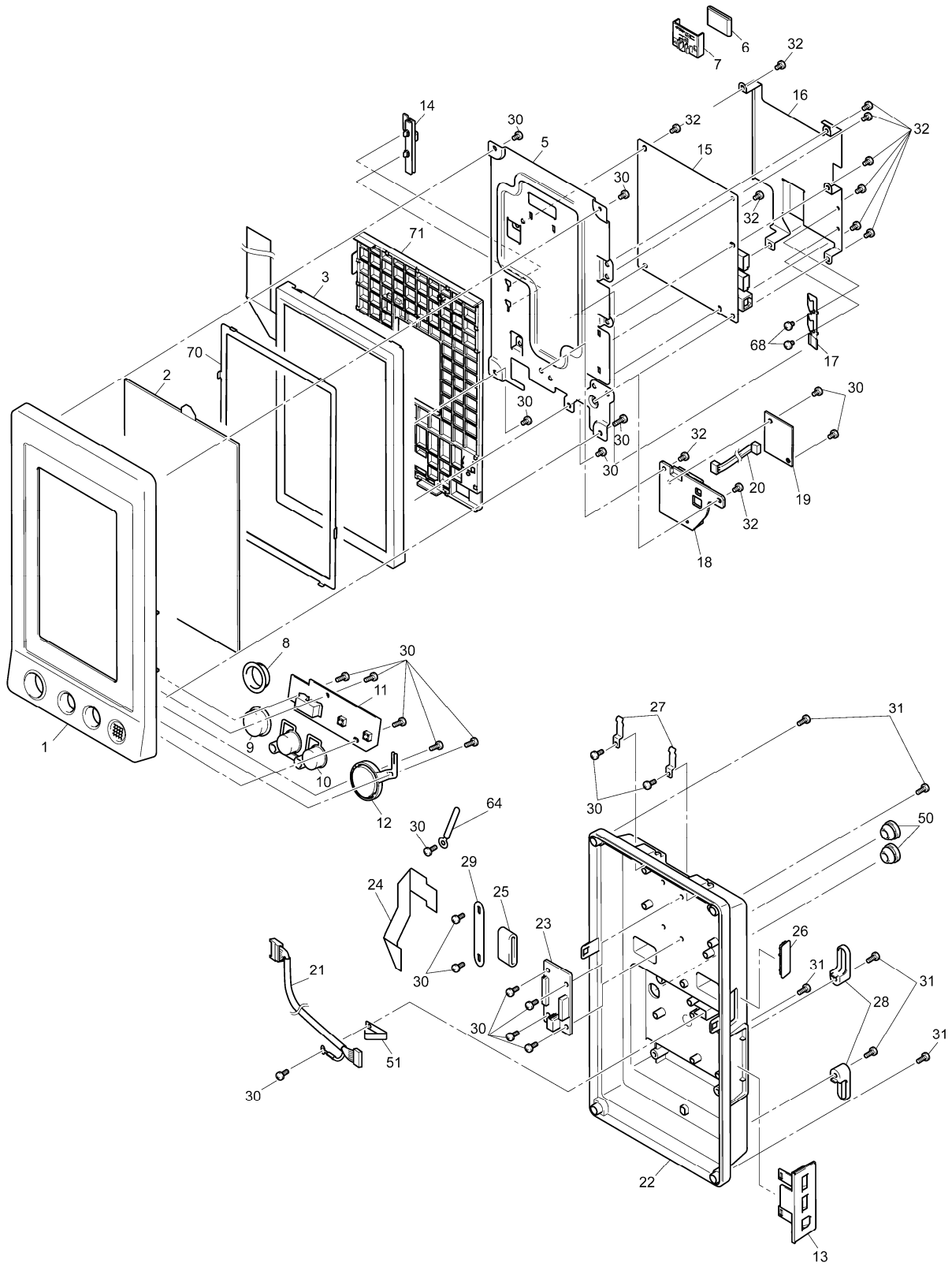
# (5) NEEDLE THREADING MECHANISM



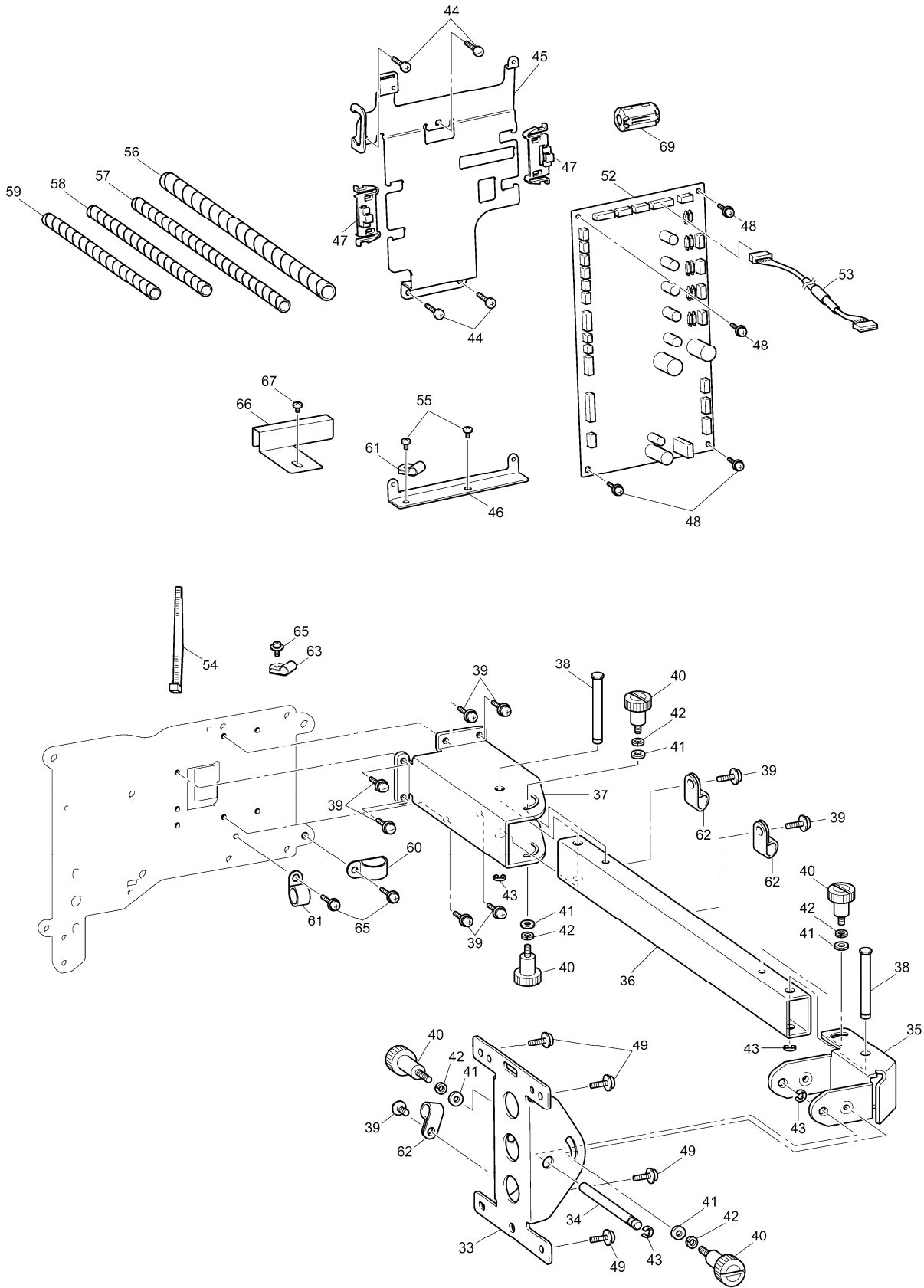




## (6) ELECTRIC PARTS



# (6) ELECTRIC PARTS



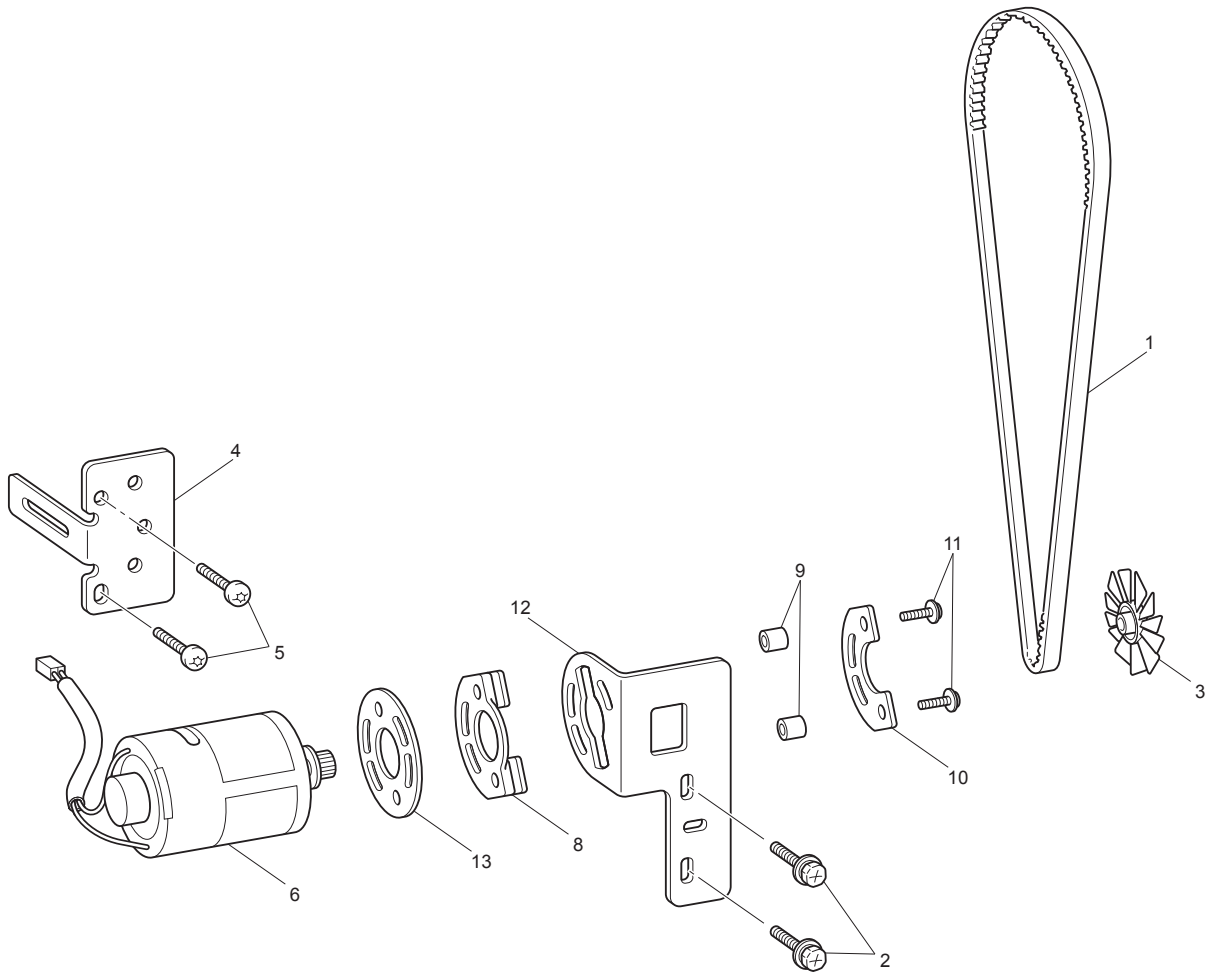
## (6) ELECTRIC PARTS

No.	CODE	NAME	R/H	REMARKS	No.	CODE	NAME	R/H	REMARKS
1	XE6355002	PANEL FRONT COVER BADGE ASSY	R		43	048060343	RETAINING RING, E6		1000038911
2	XE6294001	TOUCH PANEL: TP-3686S3F0	R		44	X57908052	TAPTITE, BIND S M4X10		
3	XF0077101	LCD SUPPLY ASSY	R	1000027395	45	<b>XE8102101</b>	BOARD HOLDER U		<b>1000053651</b>
4	<b>XF0344004</b>	<b>FLEXIBLE FLAT CABLE:SML2CD-50</b>		1000027395	46	XE8103001	BOARD HOLDER D		
5	XE6228101	PCB BASE PLATE			47	XE8104001	PCB SUPPORTER		
6	XE9920001	FERRITE CORE:FSRC310200RN000T			48	XC7564051	SCREW, PAN (S/P WASHER) M3X6		
7	XE9963001	FERRITE HOLDER WIDE			49	087411416	TAPTITE, CUP B M4X14		
8	XE6230001	SS BUTTON GUIDE			50	XC7233051	CORD BUSHING 5P-4		
9	XE6232101	SS BUTTON			51	XE6247001	GROUND SPRING		
10	XE6234002	OPERATION BUTTON			52	XE8783201	MAIN PCB SUPPLY ASSY	R/H	
11	XE6149001	SS PCB ASSY			53	XE7938001	LEAD WIRE ASSY:HEAD PR1000		
12	XE6236001	SPEAKER SET			54	X53169050	BAND		
13	XE6238002	USB COVER			55	060400816	SCREW BIND M4X8		
14	XE6240001	BOARD SUPPORTER			56	XC5069051	SPIRAL TUBE A		
15	XF2893001	PANEL PCB SUPPLY ASSY CHN (CHN)	R/H	1000029335	57	XC5073051	SPIRAL TUBE B		
	XF4215001	PANEL PCB SUPPLY ASSY THAI (THA)	R/H	1000031118	58	XC5078051	SPIRAL TUBE C		
	XF0078001	PANEL PCB SUPPLY ASSY (OTHER)	R/H		59	XC6407051	SPIRAL TUBE D		
16	XE6241001	PANEL PCB CASE			60	XZ0201051	CORD CLAMP: WL-5/8		
17	XE5267001	GROUND PLATE USB			61	XC5243051	CORD CLAMP: NK-5N		
18	XE9964001	PCB HOLDER ASV RELAY			62	XA8837052	CORD CLAMP		
19	XE9813001	BACK LIGHT DRIVE PCB ASSY			63	S10243000	CORD HOLDER, NK-3N		
20	XE9919001	LEAD WIRE ASSY:X2 PR-E LED BL			64	137947001	CLIP		
21	XE9910001	LEAD WIRE ASSY:PANEL-MAIN			65	0A5401006	SCREW, PAN (S/P WASHER) M4X10		1000028394
22	XE8243101	PANEL REAR COVER	R		66	XC5157051	PROTECT SHEET		
23	XE7936001	CAMERA RELAY PCB ASSY:PANEL	R		67	060400516	SCREW, BIND M4X5		
24	XE8184001	FLEXIBLE FLAT CABLE:SML2CD-32			68	060300416	SCREW BIND M3X4		
25	XE5740001	FERRITE ASSY			69	XE8700001	FERRITE CORE:LF0930		
26	XE6244002	CARD COVER			70	XE9966101	ELECTRIC STATIC PREVENTER		1000027461
27	XE6246002	PEN HOLDER			71	XE9967001	LCD SPACER		
28	XD0761052	USB CORD HOLDER							
29	XE8383001	FERRAIT PRESSER							
30	136681051	TAPTITE, BIND B M3X8							
31	X59629051	TAPTITE, BIND B M3X10							
32	060300516	SCREW BIND M3X5							
33	XE6259001	PANEL HOLDER							
34	XC5747051	OPERATION PANEL HOLDER SHAFT							
35	XD0664051	OPERATION PANEL LEVER A							
36	XE8101001	OPERATION PANEL LEVER B							
37	<b>XD0666251</b>	OPERATION PANEL LEVER C		<b>1000053495</b>					
38	XC5751051	OPERATION PANEL LEVER SHAFT							
39	0A5400806	SCREW, PAN (S/P WASHER) M4X8							
40	XC5553051	THUMB BOLT M4 L							
41	026040236	WASHER, PLAIN M 4							
42	028040246	WASHER, SPRING 2-4							

## **(6) ELECTRIC PARTS**

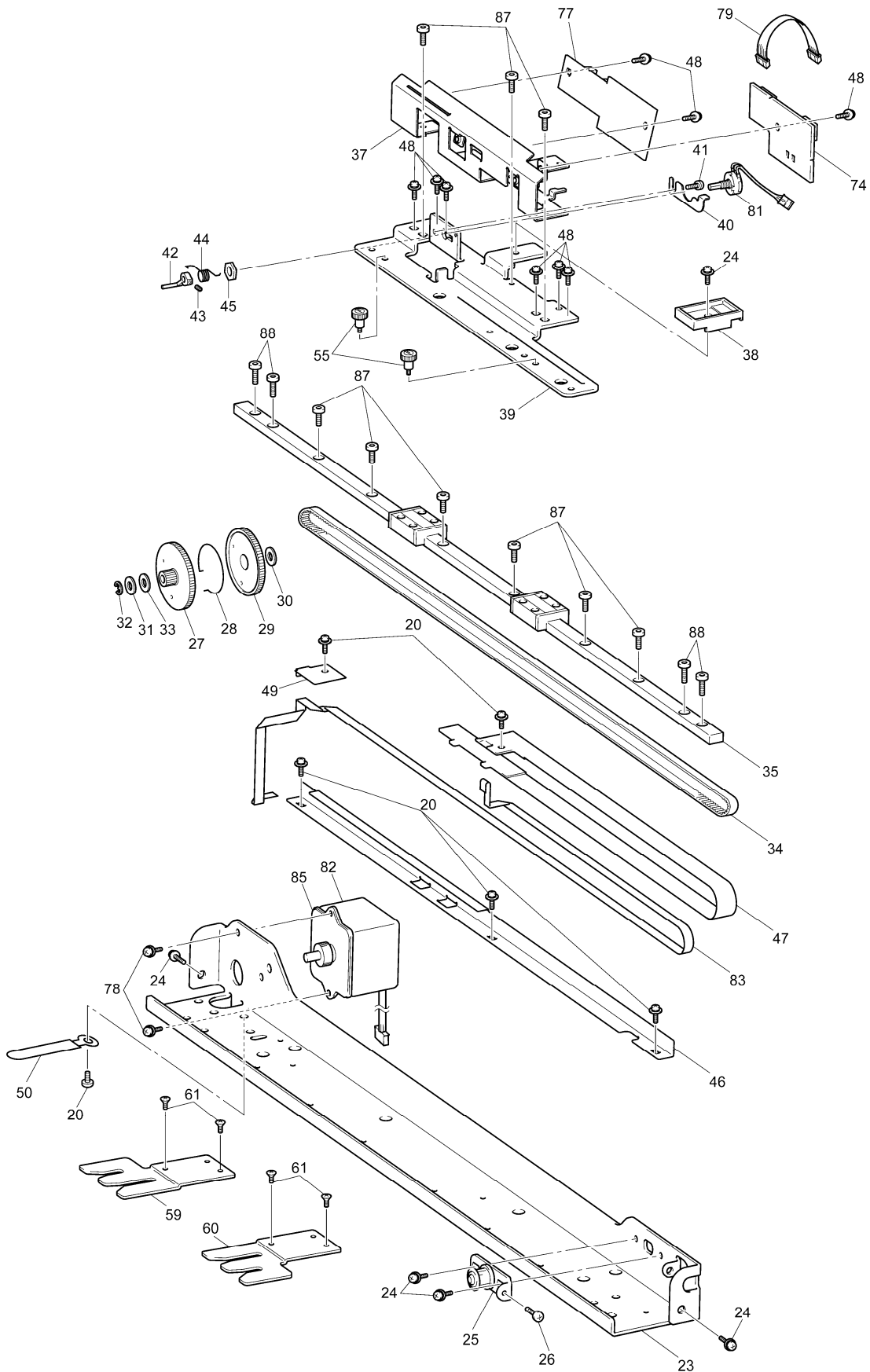
**Blank page**

## (7) MAIN MOTOR UNIT

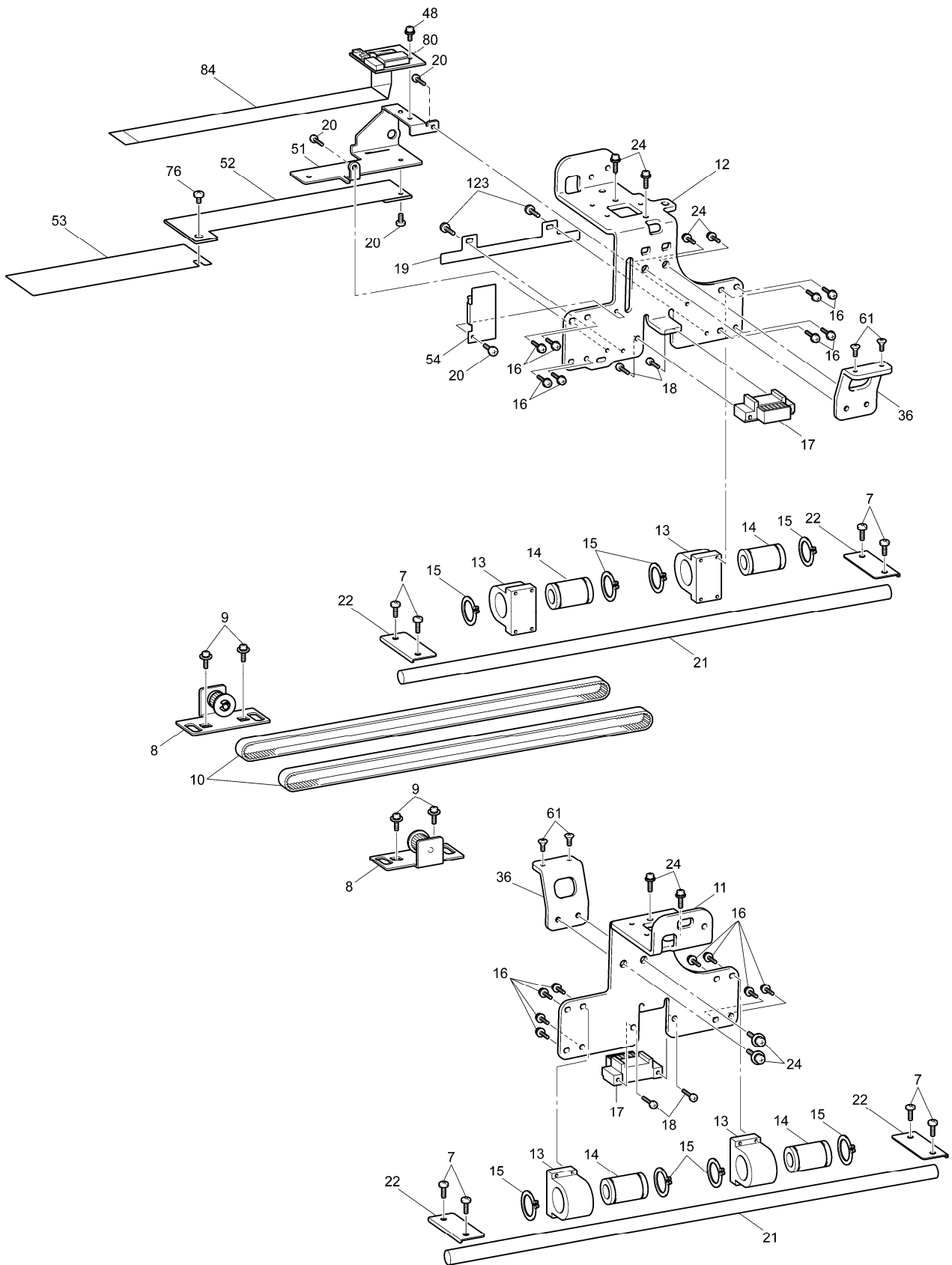




## (8) XYCARRIAGE MECHANISM

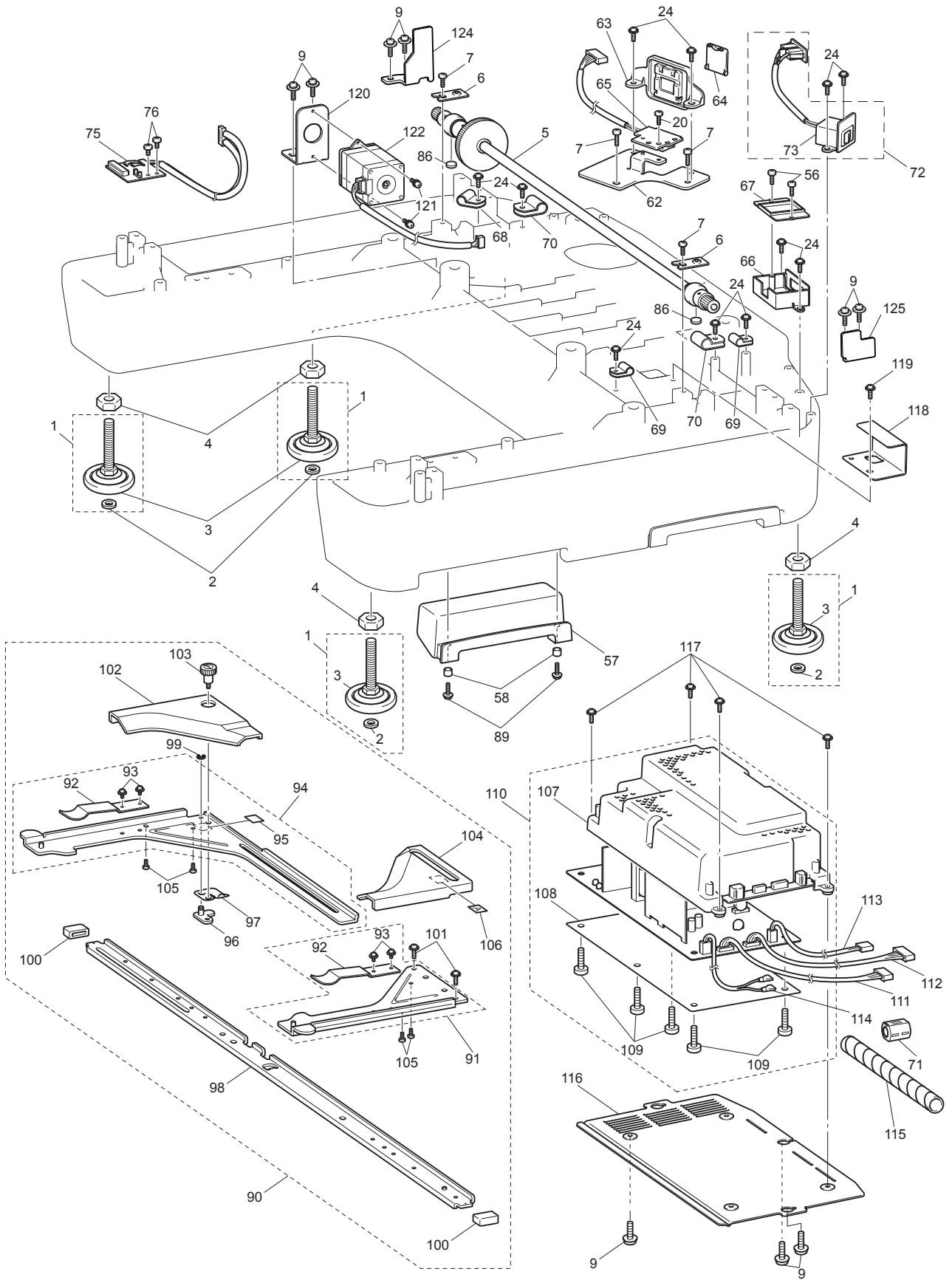


## (8) XYCARRIAGE MECHANISM





# (8) XYCARRIAGE MECHANISM



## (8) XYCARRIAGE MECHANISM

No.	CODE	NAME	R/H	REMARKS	No.	CODE	NAME	R/H	REMARKS
1	XD0747051	ADJUST BOLT M8			45	X52569001	NUT		
2	XD0751051	WASHER			46	XE7134001	X SENSOR DOG		
3	XD0752051	RUBBER CUSHION	H		47	XE7354001	X CABLE FIXING SHEET L		
4	021080206	NUT, 2 M8			48	XC7564051	SCREW, PAN (S/P WASHER) M3X6		
5	XC5767151	Y DRIVING SHAFT ASSY			49	XE7355001	X CABLE FIXING SHEET D		
6	X52478051	BUSHING PRESSER			50	XG0870001	COATING CLIP		1000046119
7	X57908052	TAPTITE, BIND S M4X10			51	XC5807051	PCB SET PLATE		
8	XC5771051	Y TENSION PLATE SET			52	XC5808051	Y CABLE PROTECTION SHEET A		
9	0A5401006	SCREW, PAN (S/P WASHER) M4X10			53	XC6121051	Y CABLE PROTECTION SHEET B		
10	XC5775051	T BELT B60S3M579			54	XC5809151	CODE GRIP		
11	XE7124001	Y CARRIAGE R			55	XC5817051	SCREW, KNOB M4S		
12	XE7125001	Y CARRIAGE L			56	X59629051	TAPTITE, BIND B M3X10		
13	XC5779051	BEARING CASE Y			57	XC5834052	HANDLE		
14	XC5780001	BEARING 10, LINER		1000052910	58	XC5835051	BUSH 4X4		
15	048190142	RETAINING RING, EXTERNAL C19			59	XE2319001	CYLINDER CONNECTION L		
16	0A4301006	SCREW, PAN (S/P WASHER) M3X10			60	XE2320001	CYLINDER CONNECTION R		
17	XC5781251	Y BELT PRESSER		1000043047	61	061300616	SCREW, FLAT M3X6		
18	085311416	TAPTITE, BIND P M3X14			62	XE8122001	EX CONNECTOR HOLDER		
19	XC5782051	Y SENSOR DOG			63	XE8123001	EX CONNECTOR HOLDER COVER		
20	060300416	SCREW, BIND M3X4			64	XE8124001	EX CONNECTOR HOLDER COVER LID		
21	XC5783051	Y GUIDE SHAFT			65	XE8088001	EXTENSION IF PCB ASSY:PR L		
22	XC5784151	FIXED Y SHAFT PLATE			66	XC5839152	INLET COVER		
23	XE7127001	FEED FRAME 360 ASSY			67	XC6072051	INLET COVER LID		
24	0A5400806	SCREW, PAN (S/P WASHER) M4X8			68	XA8837051	CORD CLAMP		
25	XE7129001	TENSION PULLEY ASSY			69	XA7678051	CORD CRAMP		
26	052301606	SCREW, PAN (S/P WASHER) M3X16			70	XE8308001	CORD CLAMP:WL-1/2		
27	XC3227001	Y DRIVING GEAR PULLEY A			71	XE7045001	FERRITE CORE: LF0930A		
28	XC3194051	SPRING FOR GEAR			72	XE8187001	POWER SWITCH ASSY 120 (USA, CAN, MEX)		
29	XC3192001	Y DRIVING GEAR PULLEY B				XE8188001	POWER SWITCH ASSY 200 (OTHER)		
30	X50546050	WASHER, THRUST			73	XC5840053	SWITCH HOLDER		
31	XE0863051	WASHER, M6			74	XE7946001	X AREA PCB ASSY		
32	048040343	RETAINING RING, E4		1000038911	75	XE7947001	Y AREA PCB ASSY		
33	X53838051	WASHER			76	060400616	SCREW BIND M4X6		
34	XE7154001	T BELT B60S910			77	XE7945001	HOOP PCB ASSY		
35	XE7153001	LM GUIDE SRS9M			78	XA8390051	SCREW		
36	XE7126001	Y CARRIAGE SUB PLATE			79	XE7942001	LEAD WIRE ASSY:X-HOOP		
37	XE7357001	X PCB PLATE			80	XE7948001	CONNECT PCB ASSY		
38	XC5798051	X BELT PRESSER			81	XC6177051	ASSY: HOOP SENSOR		
39	XE7132001	X CARRIAGE A SUB ASSY			82	XE8189001	X MOTOR ASSY	H	
40	XE7362001	PT METER PLATE B			83	XE7941001	FLEXIBLE FLAT CABLE:SML2CD-CX		
41	060301216	SCREW BIND M3X12			84	XE7940001	FLEXIBLE FLAT CABLE:SML2CD-YC		
42	XC5801051	HOOP LEVER			85	XE7360001	MOTOR SPACER		
43	012300632	SET SCREW, SOCKET (FT) M3X6			86	XC3183051	FELT		
44	XC5802051	SPRING			87	018300632	BOLT SOCKET M3X6		

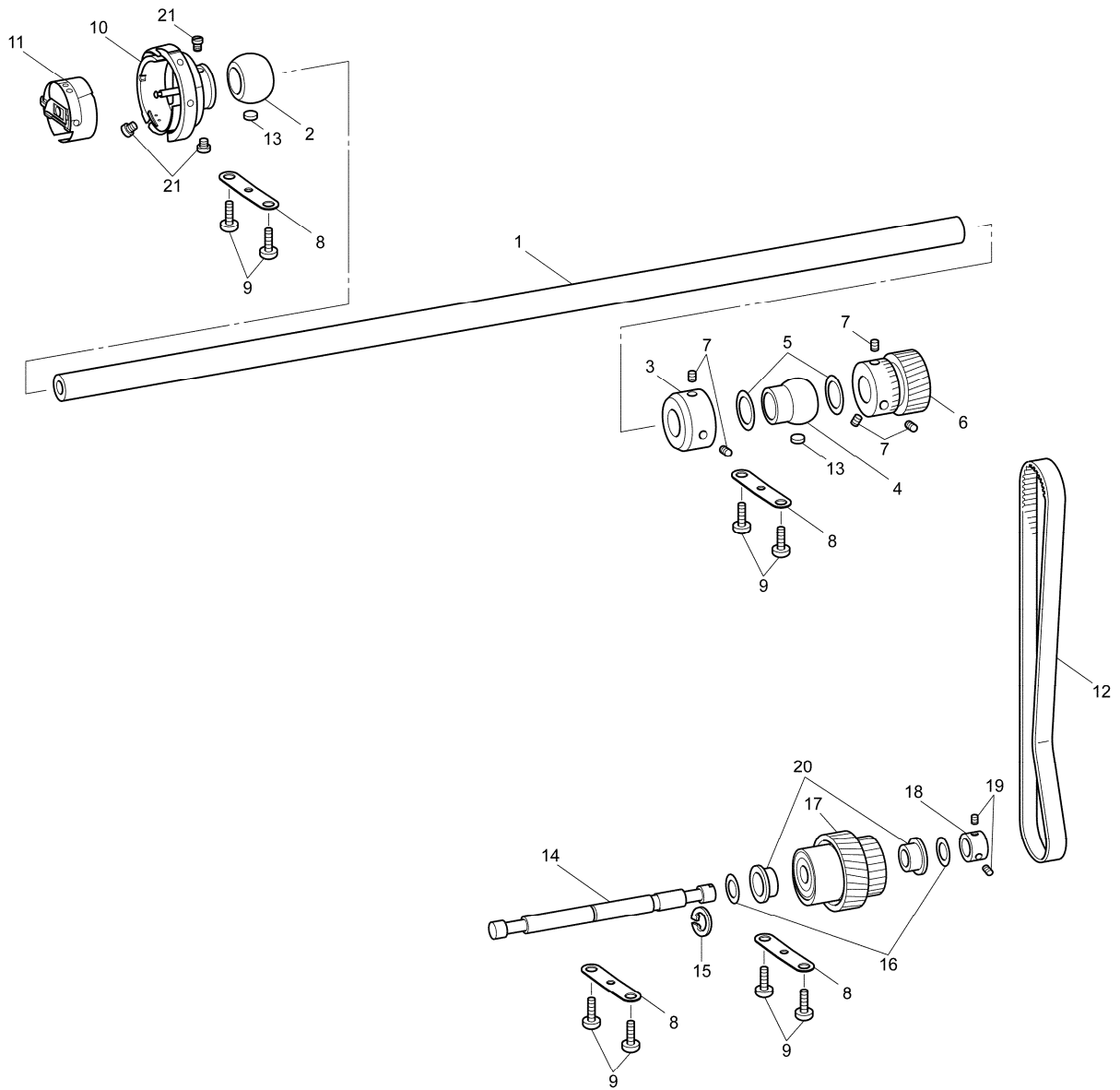
## (8) XYCARRIAGE MECHANISM

No.	CODE	NAME	R/H	REMARKS
88	018300836	BOLT SOCKET M3X8		
89	XC7077051	SCREW 3X10		
90	XE7374001	TUBULAR ROUND ARMA SUPPLY ASSY		
91	XE7399001	TUBLAR ROUND ARM RA SET		
92	XC7076151	SPRING, PLATE		1000045530
93	XC7644051	SCREW, PAM (S/P WASHER) M3X5		
94	XE7137001	TUBLAR ROUND ARM L SET		
95	XE7375001	SEAL		
96	XE7140001	GUIDE PLATE ASSY		
97	XE7143101	SPRING PLATE		
98	XE7145001	HOOP STAY A		
99	048030343	RETAINING RING, E3		1000038911
100	XC5816051	RUBBER		
101	0A5400806	SCREW, PAN (S/P WASHER) M4X8		
102	XE7146001	TUBULAR ARM COVER L2		
103	XC5553051	THUMB BOLT M4 L		
104	XE7174001	TUBULAR ARM COVER R2		
105	136681051	TAPTITE, BIND B M3X8		
106	XE7414001	SEAL A		
107	XE7367001	POWER UNIT COVER		
108	XE7368001	INSULATION PLATE		
109	085311415	TAPTITE, BIND B M3X14		
110	XE8784201	POWER PCB SUPPLY ASSY: 100 (USA, CAN, BRA, MEX, TWN)	R/H	
	XE8785201	POWER PCB SUPPLY ASSY: 200 (OTHER)	R/H	1000038175
111	XE8192001	LEAD WIRE ASSY:POWER PW		
112	XE8193001	LEAD WIRE ASSY:POWER SIGNAL		
113	XE8194001	LEAD WIRE ASSY:POWER MOTOR		
114	XC6209051	LEAD WIRE ASSY:POWER (USA, CAN, BRA, MEX, TWN)		1000043259
	XE8327001	LEAD WIRE ASSY:POWER 200 (OTHER)		
115	XE8197001	SPIRAL TUBE		
116	XE7369001	POWER UNIT STAY		
117	0A5401206	SCREW, PAN (S/P WASHER) M4X12		
118	XE7406001	POWER UNIT CODE GUIDE		
119	0A5400806	SCREW PAN (S/P WASHER) M4X8		
120	XC5810151	Y MOTOR STAY		1000050032
121	0A4300606	SCREW, PAN (S/P WASHER) M3X6		1000034610
122	XC6183051	ASSY: Y MOTOR	H	
123	018300532	BOLT SOCKET M3X5		
124	XE7433001	BELT SUPPORT L		1000028031
125	XE7434001	BELT SUPPORT R		1000028031

## **(8) XYCARRIAGE MECHANISM**

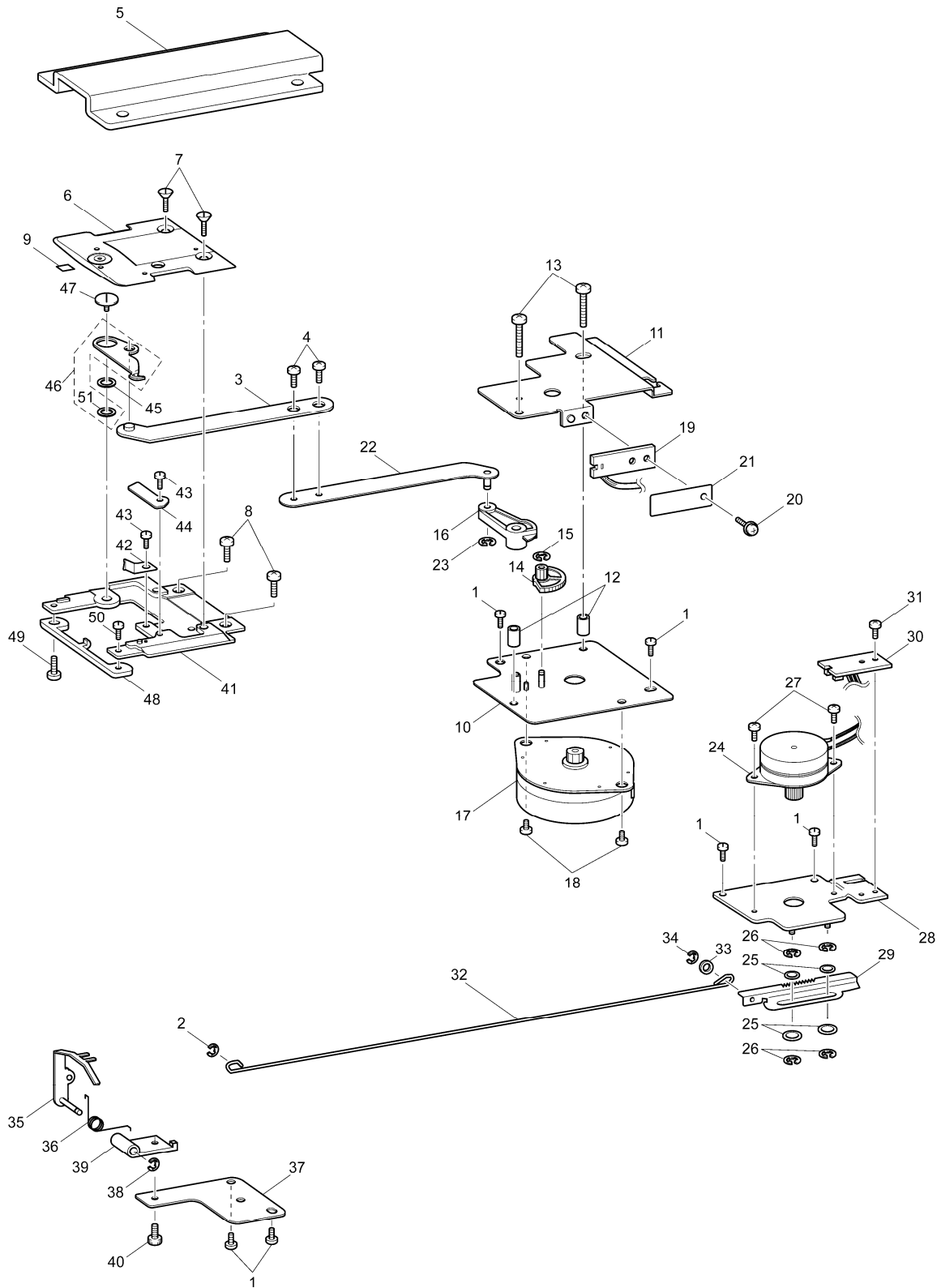
**Blank page**

# (9) LOWER SHAFT MECHANISM





# (10) THREAD CUTTING MECHANISM



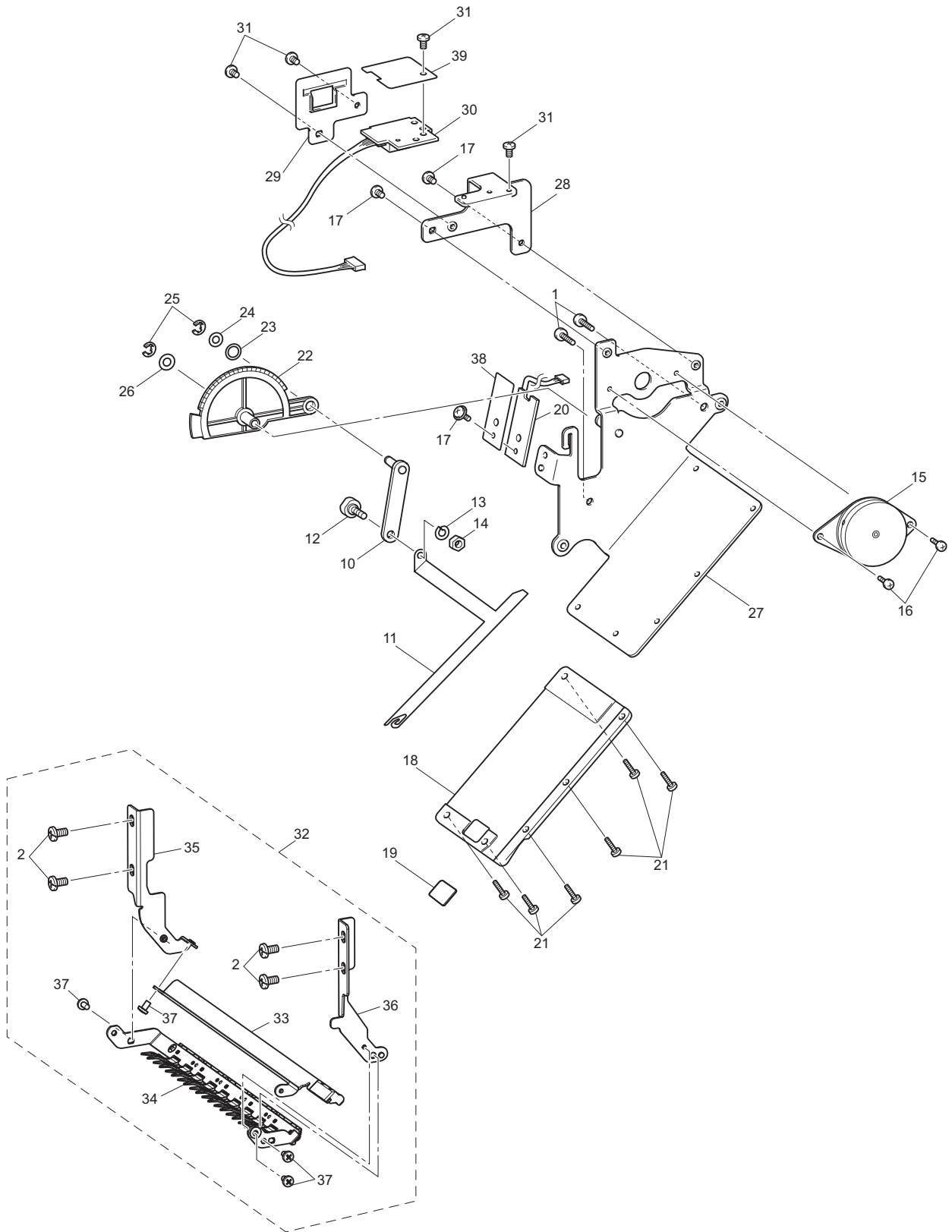
## (10) THREAD CUTTING MECHANISM

No.	CODE	NAME	R/H	REMARKS	No.	CODE	NAME	R/H	REMARKS
1	060400616	SCREW, BIND M4X6			43	XC5881051	SCREW		
2	048020343	RETAINING RING, E2		1000038911	44	XC5882051	FIXED KNIFE *	H	
3	XC5871151	CUTTER LINK ASSY		1000051378	45	S32476001	COLLAR, M-KNIFE		
4	060300416	SCREW, BIND M3X4			46	XC6908151	MOVABLE KNIFE SUPPLY ASSY *	H	
5	XC5874051	BED COVER			47	S32475001	SCREW, M4		
6	XE1142001	NEEDLE PLATE	R		48	XC5879051	ROTARY HOOK STOPPER		
7	XC6404051	SCREW, FLAT M4			49	018300636	BOLT, SOCKET M3X6		
8	062400816	SCREW, PAN M4X8			50	XC5881051	SCREW		
9	XC5984051	FELT			51	XE1845001	MOVABLE KNIFE SPACER		
10	XC5858051	CT MOTOR BRACKET ASSY							
11	XC5863051	CUTTER BRACKET							
12	XC5864051	COLLAR							
13	000401605	SCREW, BIND M4X16							
14	XC5865051	INITIAL GEAR							
15	048020343	RETAINING RING, E2		1000038911					
16	XC5866051	LEVER GEAR							
17	XC6184051	ASSY: TH CUTTER MOTOR							
18	060300416	SCREW, BIND M3X4							
19	XC6152051	ASSY: TH CUTTER SENSOR							
20	XC7564051	SCREW, PAN (S/P WASHER) M3X6							
21	XE7791101	INSULATION SHEET		1000050144					
22	XC5868051	LEVER LINK ASSY							
23	048040343	RETAINING RING, E4		1000038911					
24	XF7432001	P PULSE MOTOR SMJ35-4840-HP		1000039409					
25	026030136	WASHER, PLAIN S 3							
26	048020343	RETAINING RING, E2		1000038911					
27	060300416	SCREW, BIND M3X4							
28	XC5510051	PK MOTOR BRACKET ASSY							
29	XC5513151	RACK ASSY							
30	XC6161051	ASSY: PICKER SENSOR							
31	XC7564051	SCREW, PAN (S/P WASHER) M3X6							
32	XC5856051	PICKER LINK							
33	026030136	WASHER, PLAIN S 3							
34	048020343	RETAINING RING, E2		1000038911					
35	XC5849151	PICKER ASSY							
36	XC5853051	PICKER SPRING	H						
37	XC5854051	PICKER BRACKET							
38	048020343	RETAINING RING, E2		1000038911					
39	XC6634151	PICKER HOLDER							
40	018300532	BOLT, SOCKET M3X5							
41	XC5876051	NEEDLE PLATE BASE ASSY							
42	XC6230051	THREAD HOLDING PLATE							

\* Replacing the FIXED KNIFE(#44) and MOVABLE KNIFE SUPPLY ASSY(#46) simultaneously is recommended.



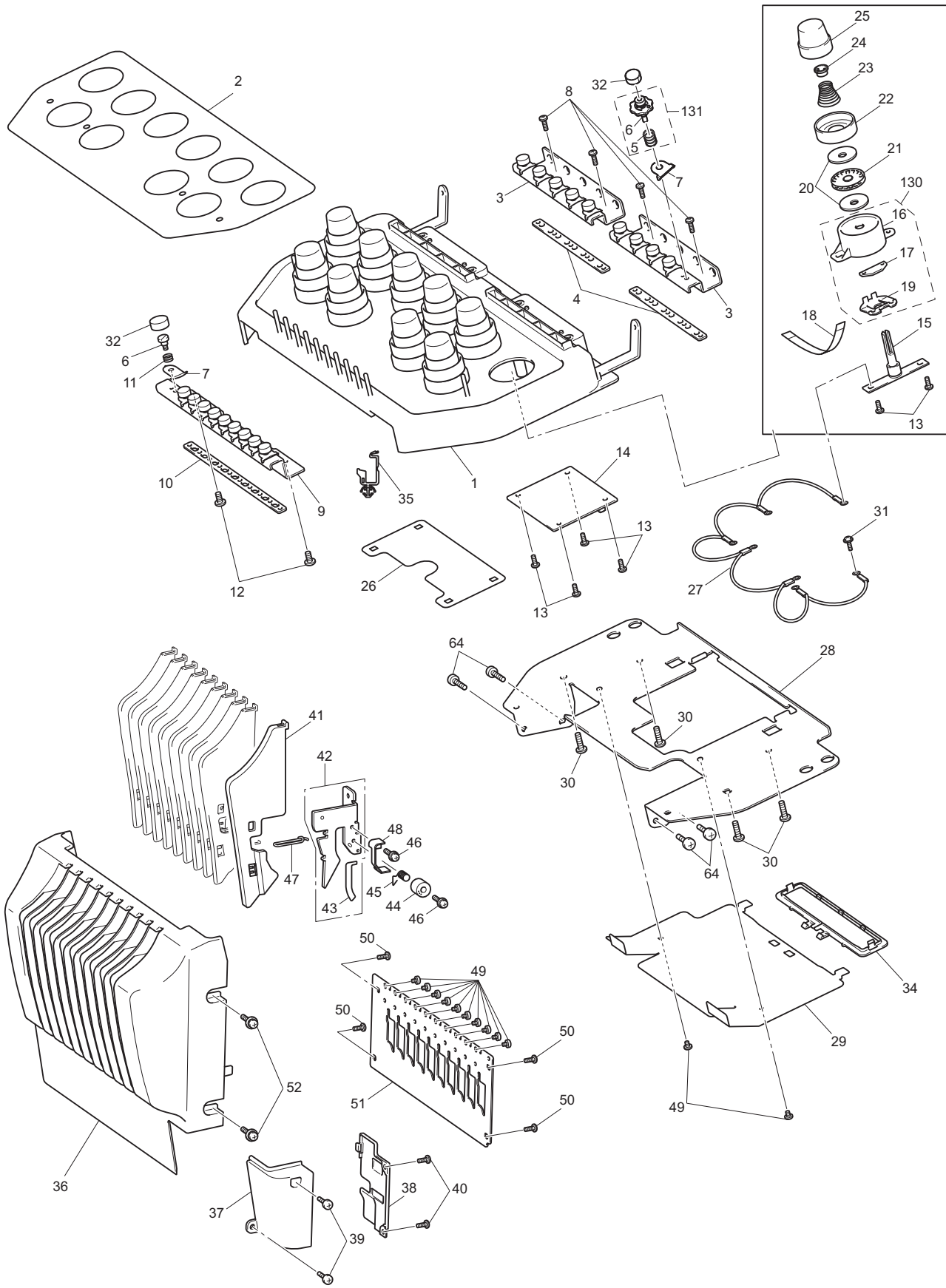
# (11) WIPER MECHANISM



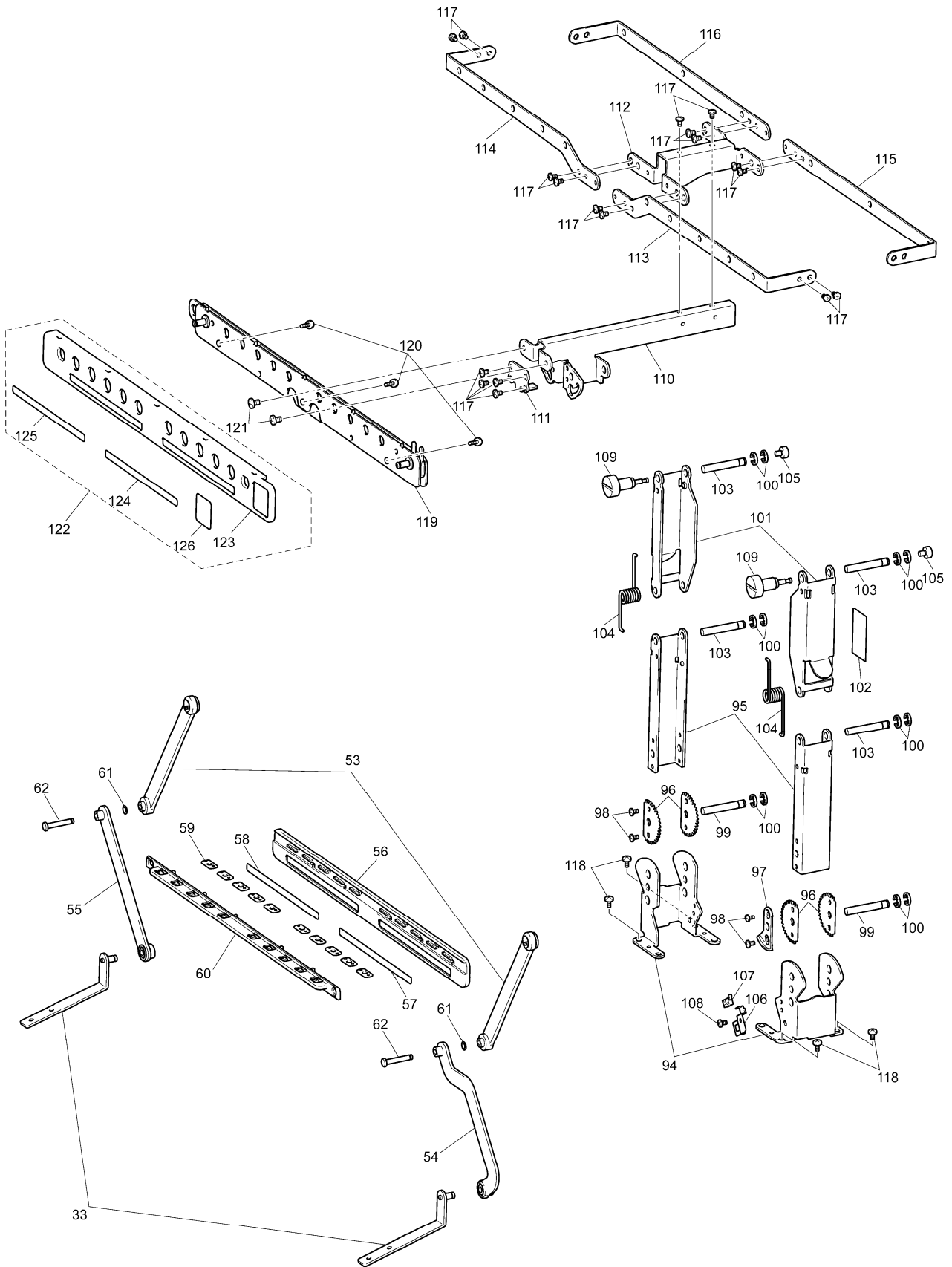
## (11) WIPER MECHANISM

No.	CODE	NAME	R/H	REMARKS
1	X57908052	TAPTITE, BIND S M4X10		
2	060400616	SCREW, BIND M4X6		
3	<del>XE7875004</del>	THREAD-PRESSER-BASE UPPER ASSY		1000028541
4	<del>XE7878004</del>	THREAD-PRESSER-BASE LOWER ASSY		1000028541
5	<del>XE7880004</del>	THREAD-PRESSER-BASE L		1000028541
6	<del>XE7881004</del>	THREAD-PRESSER-BASE R		1000028541
7	<del>XC5902054</del>	THREAD-PRESSER-SPACER		1000028541
8	<del>S46404004</del>	SCREW, PAN M3X7		1000028541
9	<del>060300416</del>	SCREW BIND M3X4		1000028541
10	XC5888051	WIPER LINK ASSY		
11	XC5891151	WIPER HOOK	H	
12	XC5892051	WIPER SHOULDER SCREW		
13	028040246	WASHER, SPRING 2-4		
14	021400305	NUT, 3 M4		
15	XF7430001	W PULSE MOTOR SMJ35-4840-JP		1000039409
16	062300416	SCREW, PAN M3X4		
17	XC7564051	SCREW, PAN (S/P WASHER) M3X6		
18	<del>XC5893251</del>	WIPER GUIDE		1000053655
19	XC5894051	WIPER CUSHION		
20	XC6155051	ASSY: WIPER SENSOR		
21	062300616	SCREW, PAN M3X6		
22	XC5887151	WIPER LEVER		
23	X53838051	WASHER		
24	025050236	WASHER, PLAIN M 5		
25	048040343	RETAINING RING, E4		1000038911
26	025060235	WASHER, PLAIN M 6		
27	<del>XE8127101</del>	WIPER BASE ASSY		1000053655
28	<del>XE8108101</del>	EX CONNECTOR HOLDER U		1000053844
29	XE8109001	EX CONNECTOR COVER U		
30	XE8087001	EXTENSION IF PCB ASSY:PR U		
31	060300516	SCREW BIND M3X5		1000053844
32	XF2755001	THREAD PRESSER WP SET B (L1B113101~)		1000028835
33	XF0099001	THREAD PRESSER BASE UP WP ASSY		1000040177
34	XF0699001	THREAD PRESSER BASE LOWER ASSY		1000040177
35	XF0799001	THREAD PRESSER BASE L WP		1000040177
36	XF0800001	THREAD PRESSER BASE R WP		1000040177
37	060400516	SCREW, BIND M3X5		1000040177
38	<del>XE7791101</del>	INSULATION SHEET		1000053844
39	<del>XG5299001</del>	INSULATION SHEET		1000053844

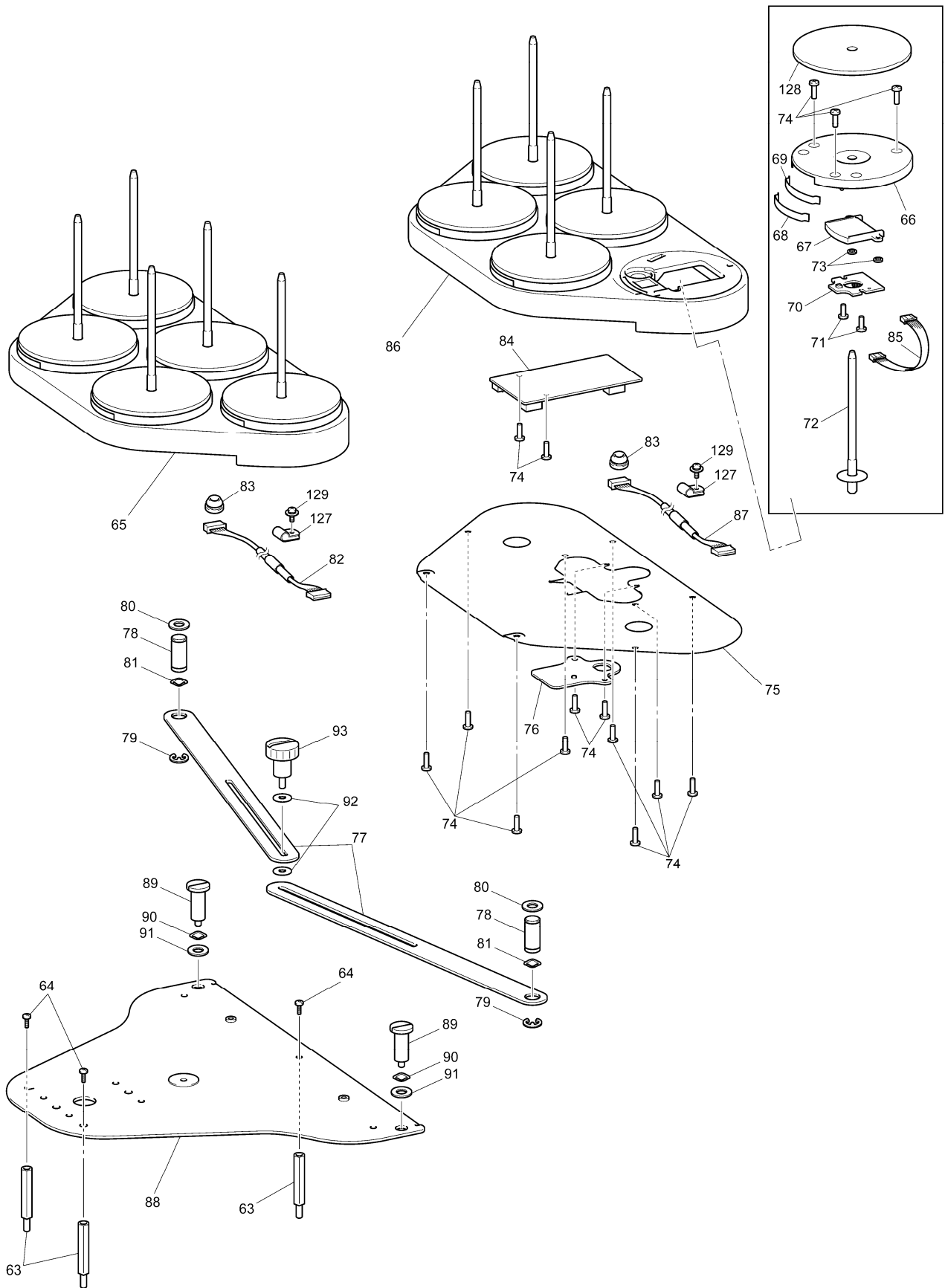
# (12) UPPER THREADING MECHANISM



# (12) UPPER THREADING MECHANISM



# (12) UPPER THREADING MECHANISM



## (12) UPPER THREADING MECHANISM

No.	CODE	NAME	R/H	REMARKS	No.	CODE	NAME	R/H	REMARKS
1	XE8110001	TENSION BASE			45	XC5926051	THREAD TAKE-UP SPRING	R/H	
2	XE8136001	TENSION BASE SHEET			46	0A4300606	SCREW, PAN (S/P WASHER) M3X6		
3	XE8020001	UPPER THREAD EYELET BASE			47	XC5929051	THREAD GUIDE WIRE	H	
4	XE8021001	U THREAD EYELET BASE PLATE			48	XC6234051	THREAD GUARD		
5	<a href="#">XG1127001</a>	<a href="#">THREAD GUIDE COMPRESSION</a>			49	060300416	SCREW, BIND M3X4		
6	<a href="#">XG1289001</a>	<a href="#">SUB TENSION ASSY FOR 10</a>			50	085311016	TAPTITE BIND B M3X10		
7	XC5907051	THREAD GUIDE TENSION PLATE			51	XE7883001	THREAD GUIDE BACK COVER		
8	X59629051	TAPTITE,BIND B M3X10			52	0A5401006	SCREW PAN (S/P WASHER) M4X10		
9	XE8112001	INNER THREAD EYELET BASE			53	XE8027101	THREAD LENGTH KEEP LINK U		
10	XE8113001	I THREAD EYELET BASE PLATE			54	XE8028001	THREAD LENGTH KEEP LINK L R		
11	XZ0198051	BOBBIN WINDER COMPRESSION			55	XE8029001	THREAD LENGTH KEEP LINK L L		
12	085410816	TAPTITE, BIND B M4X8			56	XE8030001	THREAD LENGTH GUIDE SUPPORT		
13	X59629051	TAPTITE, BIND B M3X10			57	XE8031001	T NUMBER INDICATION SEAL A		
14	XE7949001	HEAD PCB ASSY			58	XE8032001	T NUMBER INDICATION SEAL B		
15	XC5911151	THREAD TENSION BRACKET			59	XE8033001	THREAD LENGTH GUIDE		
16	XC5914153	THREAD QUANTITY SENSOR COVER			60	XE8034001	THREAD LENGTH GUIDE COVER		
17	XC6167051	ASSY: TH SENSOR			61	117851051	WASHER,SPRING		
18	XE7943001	FLEXIBLE FLAT CABLE:SML2CD-H			62	XE8035101	THREAD LENGTH GUIDE SHAFT		
19	XE8022001	THREAD QUANTITY SENSOR PRESSER			63	XE8036001	STUD		
20	S36299001	TENSION DISC FELT	H		64	060400816	SCREW, BIND M4X8		
21	XC7602000	ROTARY DISC ASSY B			<del>65</del>	<del><a href="#">XF2264101</a></del>	<del><a href="#">SPACER</a></del>		
22	XC5915052	TENSION DISC PRESSER							
23	XC6232051	TENSION SPRING	H						
24	S30564000	WASHER							
25	XE8114002	TENSION NUT							
26	XE8115001	TENSION BASE SLIDER SHEET							
27	XE8226001	LEAD WIRE ASSY: HEAD EARTH							
28	XE8117001	TENSION BASE BRACKET							
29	XE8120001	BRACKET COVER							
30	085411416	TAPTITE, BIND B M4X14							
31	XC7564051	SCREW, PAN (S/P WASHER) M3X6							
32	XC5919053	TENSION AXIS CAP							
33	XE8023001	THREAD LENGTH KEEP SUPPORT ASSY							
34	XE8121001	HEAD WIRE GUIDE							
35	XE8225001	CORD CLAMP:LWSM-0605							
36	XE9973001	TAKEUP LEVER COVER ASSY	R						
37	XE7903001	CMR HOOD							
38	XE7904001	CMR BACK HOOD							
39	060300616	SCREW BIND M3X6							
40	085310816	TAPTITE BIND B M3X8							
41	XC6001052	THREAD GUIDE COVER							
42	XC5921151	THREAD TAKE-UP BRACKET ASSY							
43	XC5925051	SPRING TAPE							
44	XC6463051	THREAD CATCHING SPRING CASE							

## (12) UPPER THREADING MECHANISM

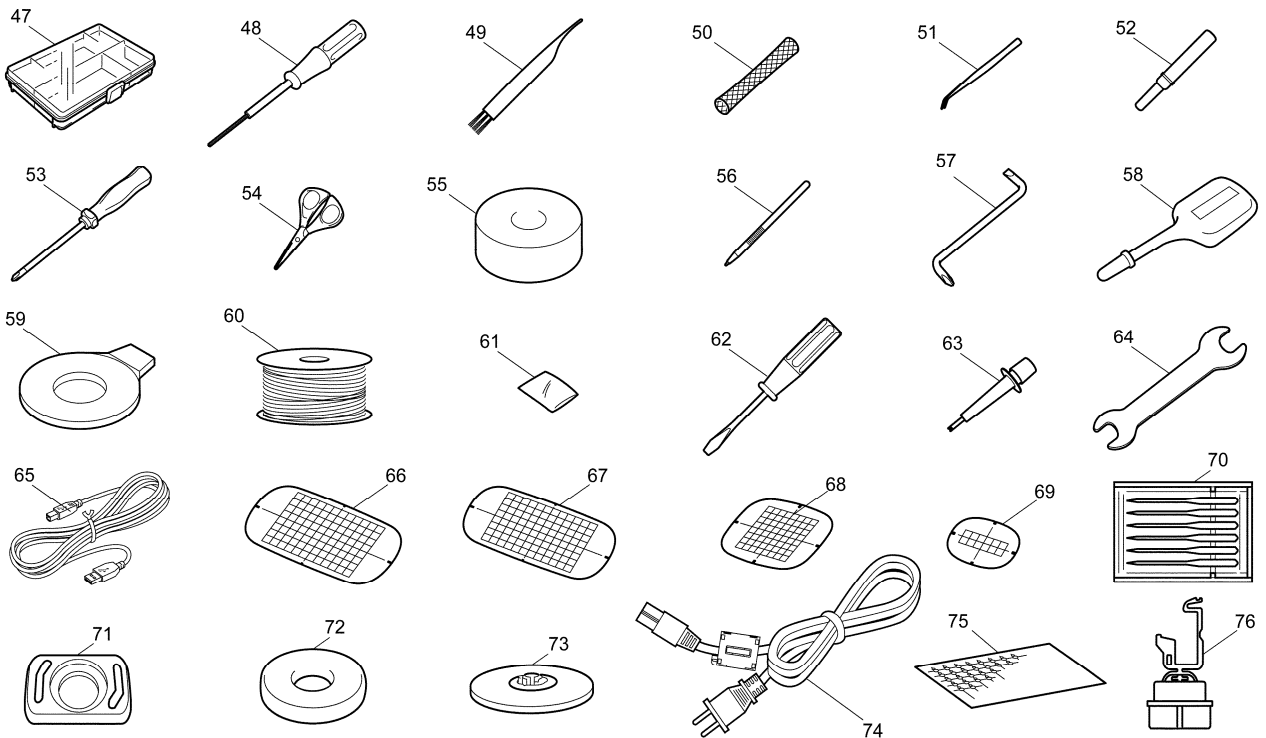
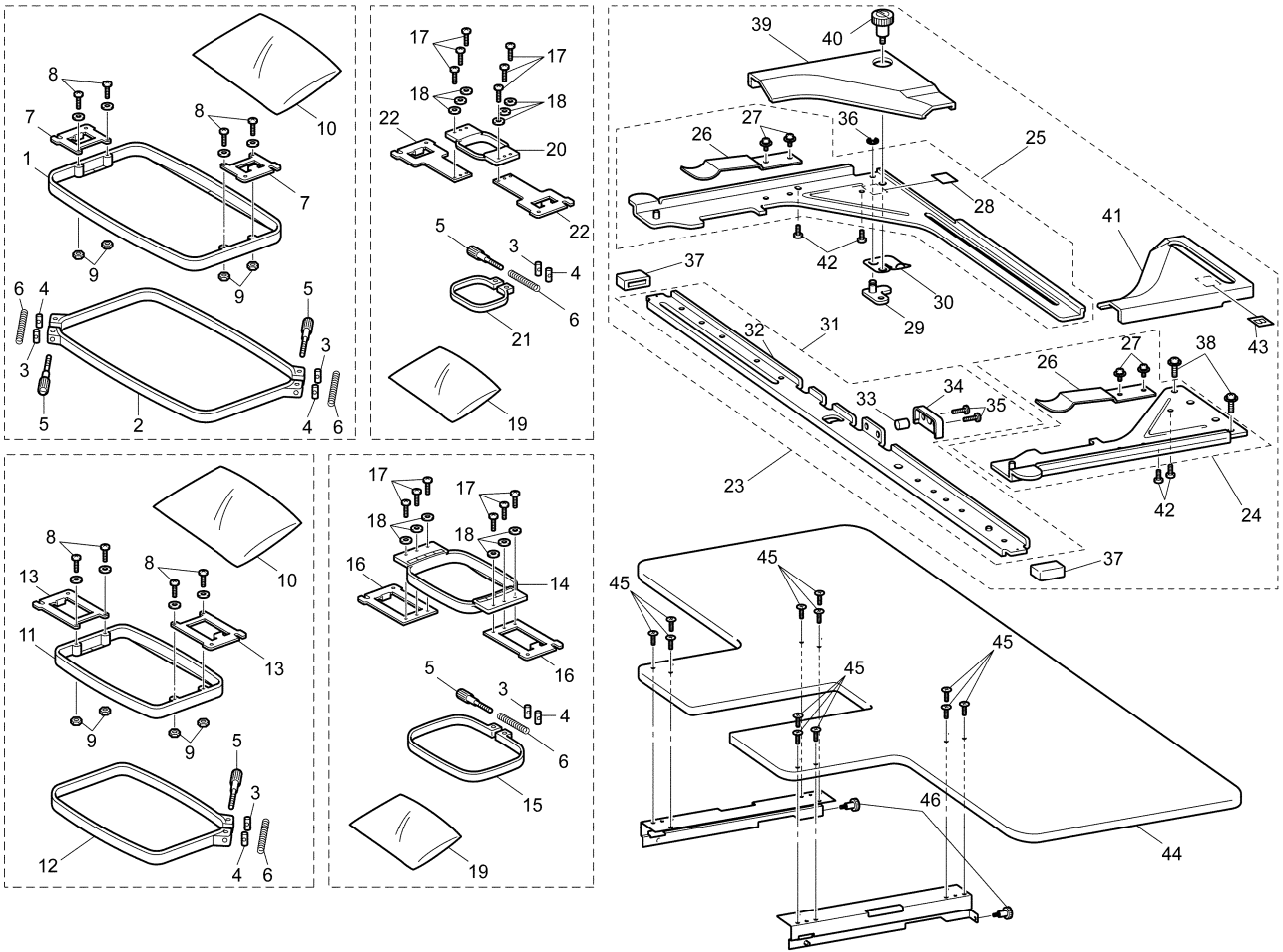
No.	CODE	NAME	R/H	REMARKS	No.	CODE	NAME	R/H	REMARKS
65	XE8400101	SPOOL STAND LED L			109	XE8052001	THUMB BOLT M4		
66	XE9975001	SPOOL LED BASE ENHANCE			110	XE8049001	ANTENNA SUPPORT PLATE		
67	XE7892001	SPOOL LED LIGHT GUIDE			111	XE8050001	ANTENNA SUPPORT PLATE B		
68	XE9976001	SPOOL LED DARK SHEET			112	XE8054001	ANTENNA A		
69	XF0071001	SPOOL STAND DIFFUSION SHEET			113	XE8055001	ANTENNA B R		
70	XE9814001	SPOOLSTAND LED PCB ASSY			114	XE8056001	ANTENNA B L		
71	136681051	TAPTITE, BIND B M3X8			115	XE8057001	ANTENNA C R		
72	XC5949051	SPOOL PIN			116	XE8058001	ANTENNA C L		
73	138334051	RETAINING RING,CS2			117	060300516	SCREW BIND M3X5		
74	085311016	TAPTITE BIND B M3X10			118	060401016	SCREW BIND M4X10		
75	XE7888001	SPOOL STAND BACK LID			119	XE8059001	THREAD BRAKE PLATE ASSY		
76	XE7889001	SPOOL STAND LID HATCH			120	060300616	SCREW BIND M3X6		
77	XE8039001	SPOOL STAND LINK			121	060400616	SCREW BIND M4X6		
78	XC5939051	SPOOL STAND STUD			122	XE8969001	T B PLATE C COVER ASSY		
79	048080343	RETAINING RING E8		1000038911	123	XE8070001	THREAD BRAKE PLATE C COVER		
80	XA9677051	WASHER			124	XE8031001	T NUMBER INDICATION SEAL A		
81	XC5945051	SPRING WASHER			125	XE8032001	T NUMBER INDICATION SEAL B		
82	XE8199001	LEAD WIRE ASSY:SPOOL-MAINL			126	XE8071001	T BRAKE PLATE C COVER SEAL		
83	XC7233051	CORD BUSHING 5P-4			127	XE8920001	CORD CLAMP:WL-1/4		
84	XE9818001	SPOOLSTAND PCB ASSY			128	XE7893001	SPOOL SPONGE		
85	XE9911001	LEAD WIRE ASSY:SPOOLSTAND LED			129	0A5400806	SCREW PAN (S/P WASHER) M4X8		
86	XE8399101	SPOOL STAND LED R			130	XF1063003	TH SENSOR SUPPLY ASSY		
87	XE8201001	LEAD WIRE ASSY:SPOOL-MAINR			131	XG1388001	SUB TENSION SUPPLY ASSY FOR 10 (10 pack)		
88	XE8038001	SPOOL STAND BASE							
89	XC5943051	STUD SCREW							
90	XC5945051	SPRING WASHER							
91	XA9677051	WASHER							
92	XC5948051	SPACER							
93	XC5553051	THUMB BOLT M4 L							
94	XE8040001	ANTENNA BASE							
95	XE8041001	ANTENNA BRACE D							
96	XE8042001	ANTENNA BRACE D GEAR							
97	XE8043001	ANTENNA SWICH CONTACT							
98	060300616	SCREW BIND M3X6							
99	XE8044001	ANTENNA BASE SHAFT							
100	048050343	RETAINING RING E5		1000038911					
101	XE8045001	ANTENNA BRACE							
102	XE8046001	ANTENNA BRACE SEAL							
103	XE8047001	ANTENNA BRACE SHAFT							
104	XE8048001	ANTENNA BRACE SPRING							
105	XE8051001	SCREW M4							
106	XE8053001	ANTENNA SWITCH HOLDER							
107	XE8203001	ANTENNA SWITCH ASSY							
108	060300516	SCREW BIND M3X5							

## **(12) UPPER THREADING MECHANISM**

**Blank page**



# (13) ACCESSORY PARTS



## (13) ACCESSORY PARTS

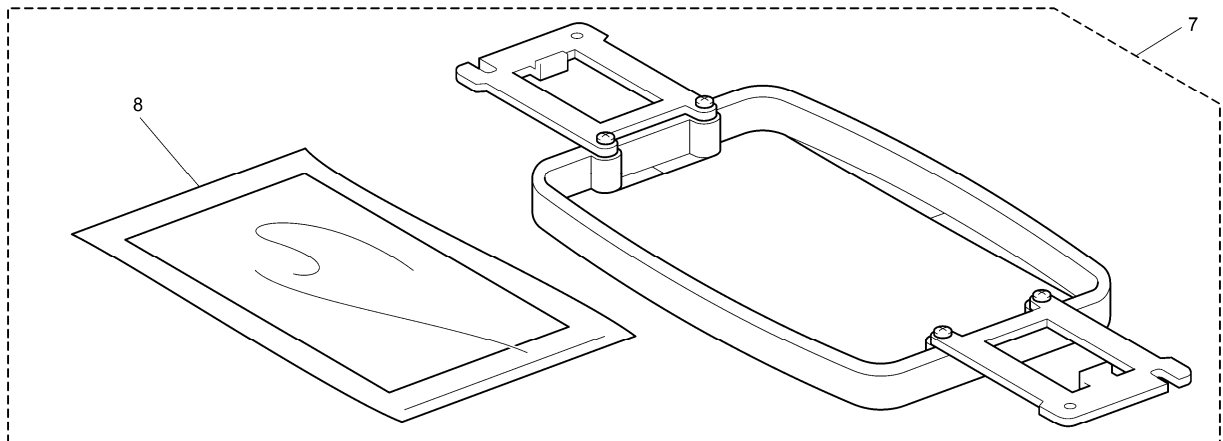
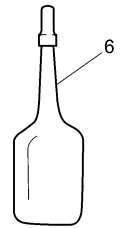
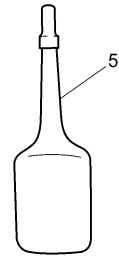
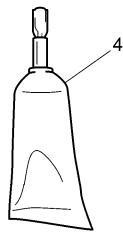
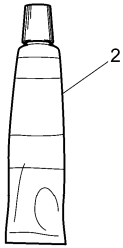
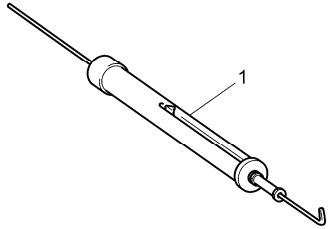
No.	CODE	NAME	R/H	REMARKS	No.	CODE	NAME	R/H	REMARKS
1	XE7156001	TUBULAR FRAME 36X20 INNER			46	XC5553051	THUMB BOLT M4 L		
2	XE7157001	TUBULAR FRAME 36X20 OUTER			47	XC6482051	ACCESSORY CASE		
3	S32798001	COLLAR			48	XC5159051	HEXAGONAL DRIVER, 1.5		
4	S32799001	NUT, M4			49	X59476051	CLEANING BRUSH		
5	XC5957051	SCREW, M4			50	S34455000	NET, 160L		
6	S36043000	SPRING, COMPRESSION 5.3X47.7			51	XC6542051	PINCETTE		
7	XC5958051	HOLDER 30X20			52	XF4967001	RIPPER ASSY		1000032270
8	062401416	SCREW, PAN M4X14			53	XC6543051	SCREW DRIVER, 2X100		
9	021400206	NUT, 2 M4			54	XF2052001	SCISSORS		1000044769
10	X60224051	BAG 350X700H			55	XC5974151	BOBBIN TENSION GAUGE		
11	XC5960051	TUBULAR FRAME 18X13 INNER			56	XA9940051	TOUCH PEN		
12	XC5961051	TUBULAR FRAME 18X13 OUTER			57	XC6545051	Z-TYPE SCREW-DRIVER, +-		
13	XC5963051	HOLDER 18X13			58	XG3677001	OILER SUPPLY ASSY (European)		1000051155
14	XC5965051	TUBULAR FRAME 10X10 INNER				XZ0206051	OILER B ASSY (OTHER)		1000051155
15	XC5966051	TUBULAR FRAME 10X10 OUTER			59	XC1074051	DISC-SHAPED SCREWDRIVER		
16	XC5968051	HOLDER 10X10			60	XC6368051	BOBBIN		
17	060300516	SCREW, BIND M3X5			61	X60838051	BAG, 70X110C		
18	025030236	WASHER, PLAIN M 3			62	X55468051	SCREW DRIVER S		
19	XZ0197051	BAG 180X470			63	XE8362001	NEEDLE EXCHANGE TOOL		
20	XC5970051	TUBULAR FRAME 06X04 INNER				XF0793001	NEEDLE EXCHANGE TOOL CW		1000028472
21	XC5971051	TUBULAR FRAME 06X04 OUTER			64	XC6159051	WRENCH 13X10		
22	XC5973051	HOLDER 06X04			65	XD1851051	USB I/F CORE CABLE 3M		
23	XE7376001	TUBULAR ROUND ARMB SUPPLY ASSY			66	XE7158101	EMBROIDERY SHEET 36X20 ASSY		1000027464
24	XE7364001	TUBLAR ROUND ARM RB SET			67	XC5721051	EMBROIDERY SHEET 18X13 ASSY		
25	XE7177001	TUBLAR ROUND ARM LB SET			68	XC5759051	EMBROIDERY SHEET 10X10 ASSY		
26	XC7076151	SPRING,PLATE		1000045530	69	XC5761051	EMBROIDERY SHEET 06X04 ASSY		
27	XC7644051	SCREW, PAM (S/P WASHER) M3X5			70	XC6469001	NEEDLE ASSEMBLY		
28	XE7375001	SEAL			71	XC6499151	NEEDLE PLATE COVER		
29	XE7140001	GUIDE PLATE ASSY			72	XC7134051	SPOOL FELT		
30	XE7143101	SPRING PLATE			73	130012054	SPOOL PRESSER A		
31	XE7180001	HOOP STAY B ASSY			74	XE7256001	POWER SUPPLY CORD: CSA-CORE (USA, CAN, MEX)		
32	XE7181001	HOOP STAY B				XE7258001	POWER SUPPLY CORD: BS-CORE (UK, SGP)		1000036652
33	XE2270001	MAGNET				XE7261001	POWER SUPPLY CORD:IRAM-CORE (ARG)		
34	XE2271001	MAGNET HOLDER				XE7263201	POWER SUPPLY CORD:BRZ-CORE (BRA)		1000029467
35	060300613	SCREW BIND M3X6				XE7264001	POWER SUPPLY CORD:TWN-CORE (TWN)		
36	048030343	RETAINING RING E3		1000038911		XE7260001	POWER SUPPLY CORD:SAA-LF CORE (AUS&NZL)		
37	XC5816051	RUBBER				XE7262001	POWER SUPPLY CORD:CHN-CORE (CHN)		
38	0A5400806	SCREW PAN (S/P WASHER) M4X8				XF0757001	POWER SUPPLY CORD:KOR-CORE (KOR)		
39	XE7146002	TUBULAR ARM COVER L2				XE7257001	POWER SUPPLY CORD: CEE-CORE (OTHER)		
40	XC5553051	THUMB BOLT M4 L			75	XE4912501	STICKER		
41	XE7174002	TUBULAR ARM COVER R2			76	XE8396002	USB CORD CLAMP ASSY		
42	136681051	TAPTITE, BIND B M3X8							
43	XE7415001	SEAL B							
44	XE7197001	WIDE TABLE TOP							
45	004401416	SCREW FLAT M4X14							



## (14) PACKAGE / USER MANUAL

No.	CODE	NAME	R/H	REMARKS	No.	CODE	NAME	R/H	REMARKS
PACKAGE									
1	XF0709001	CARTON TOP:MODEL PR1000E (RUS)	R		21	XF0064001	LANGUAGE SETTING SHEET (EXCEPT: TWN)		
	XE9994001	CARTON TOP:MODEL PR1000E (OTHER)	R		22	XF0082001	CD-ROM FOR BROTHER NEXT UP (USA, CAN, MEX)		
2	XE7470001	CARTON BOTTOM ASSY	R		23	XE8351001	INSTALL GUIDE (English)		
3	XE8922101	POLYSTYRENE FOAM SUPPLY ASSY	R	1000050147	24	XA0188050	BAG 260X375HC		
4	XC5797350	POLYSTYRENE FOAM PAD BOTTOM	R	1000031551	25	XF3666001	BAG 230X340H (USA, CAN, ARG, CHL, PRY, BRA, MEX)		1000031724
5	XE8143201	POLYSTYRENE FOAM PAD SIDE	R	1000050147	26	XF0057001	INSERTION BRO (USA, CAN)		
6	XE8144201	POLYSTYRENE FOAM PAD TOP	R	1000053945		<del>XE9505001</del>	<del>INSERTION CHINA (CHN)</del>		1000051781
7	XC5848051	JOINT				XG4536001	INSERTION CHINA ROHS PR		1000051781
8	XC5867050	PAD D	R		27	XF0714001	LCD INSERTION BRO TC (TWN)		
9	XC5932050	CARTON PAD D	R			<del>XF0052001</del>	<del>LCD INSERTION BRO (OTHER)</del>		1000030224
10	XC6459051	SHEET, 1400X2000			28	XF0300101	INSERTION WEEE		1000034530
11	XE8297101	POLYSTYRENE FOAM PAD FOOT	R	1000050147	29	XE9897001	UKRAINIAN ROHS INSERTION (RUS)		
12	XE8684001	HOOK SUPPORT SF	R		30	XE9639001	REGISTRATION SHEET (USA)		1000032853
13	X60224051	BAG, 350X700H			31	XF0786001	NEEDLE CHANGE TOOL INSERTION B		1000028568
14	XE7363001	N.BAR CASE FIX PLATE ASSY			32	XF3999101	INSERTION FOR AC POWER		1000033167
15	060400816	SCREW BIND M4X8			33	XF5734001	CE INSERTION 2		1000034826
16	XE8072001	ANTENNA PROTECT PAD	R		34	XG1930001	ROHS STICKER 10		1000051781
17	XE7435001	X CARRIAGE PAD		1000028031		XG4208001	ADDRESS LABEL BR BITW		1000051957
USER MANUAL						XG4212001	WARRANTY LABEL BR 90DAYS		1000051957
18	XE9989101	INSTRUCTION MANUAL ENGLISH (English)	R	1000050001					
	XE9990001	INSTRUCTION MANUAL SPANISH (Spanish)	R						
	XF0054101	INSTRUCTION MANUAL FRANCE (French)	R	1000050001					
	XF0050101	INSTRUCTION MANUAL GERMANY (German)	R	1000050001					
	XF0055201	INSTRUCTION MANUAL ITALY (Italian)	R	1000050001					
	XF00561101	INSTRUCTION MANUAL NETHERLANDS (Dutch)	R	1000050001					
	XF0708001	INSTRUCTION MANUAL RUSSIAN (Russian)	R						
	XF0777001	INSTRUCTION MANUAL BR (Portuguese)	R						
	XF0712001	INSTRUCTION MANUAL TC (TWN: Chinese)	R						
	XF2853001	INSTRUCTION MANUAL SC (CHN: Chinese)	R	1000029335					
	XG2863001	INSTRUCTION MANUAL KOR (Korean)							
19	XF2705101	PREMIUM WARRANTY FOR US (USA)		1000034011					
	XE7726101	WARRANTY CARD (CAN)							
	XF6323101	2&5 WARRANTY FOR US (USA)		1000038646					
	XG6840001	WARRANTY CARD BRO BR HEM (BRA)		1000053985					
20	XE9991001	QUICK REFERENCE GUIDE (EXCEPT: TWN)	R						
	XE9993101	QUICK REFERENCE GUIDE (DEU&FRA&ITA&CHE&EEU&NEU)	R	1000050001					
	XF0713001	QUICK REFERENCE GUIDE ASIA (TWN, CHN, KOR)	R						

## (15) SPARE PARTS / ADJUSTING PARTS





**brother**