



Home Embroidery Machine

PARTS REFERENCE LIST

MODEL: PR1050X

CONFIDENTIAL

©2016 Brother Industries, Ltd.
All rights reserved.

Published: Jun.,2016
Revised: Apr.,2018

MODEL LIST

Model	Countries (Added Date)
PR1050X	USA (Jun / 2016)
PR1050X	CAN (Jul / 2016)
PR1050X	DEU&BEL&FRA&NLD&ITA&CHE&EEU&NEU, ESP, UK&IRE, RUS (Jul / 2016)
PR1050X	AUS&NZL (Aug / 2016)
PR1050X	ARG, CHL, PRY, BRA, CHN, HKG, TWN, KOR (Sep / 2016)
PR1050X	MYS, VNM&IDN&PHL&SGP&THA, IND, TUR, UAE (Sep / 2016)

Country Code & Abbreviation of Country Name

Country Code	Abbr.	Country Name	Country Code	Abbr.	Country Name	Country Code	Abbr.	Country Name
USA/Canada			Europe			Asia/Oceania		
200	USA	America	401	ZAF	South Africa	601	KOR	Korea
251	CAN	Canada	402	EGY	Egypt	603	TWN	Taiwan
			411	MUS	Mauritius	604	HKG	Hong Kong
301	PER	Peru				605	VNM	Vietnam
302	ARG	Argentina	501	IRE	Ireland	606	IDN	Indonesia
303	CHL	Chile	502	DEU	Germany	607	PHL	Philippines
304	PRY	Paraguay	503	BEL	Belgium	608	MYS	Malaysia
305	URY	Uruguay	505	UK	United Kingdom	609	SGP	Singapore
306	BRA	Brazil	506	FRA	France	615	IND	India
307	VEN	Venezuela	507	NOR	Norway	616	THA	Thailand
308	MEX	Mexico	508	NLD	Netherlands	622	CHN	China
309	COL	Colombia	509	AUT	Austria			
310	PAN	Panama	510	GRC	Greece	701	AUS	Australia
318	GTM	Guatemala	511	SWE	Sweden	702	NZL	New Zealand
324	GUF	FR. Guiana	515	ESP	Spain			
330	BRB	Barbados	516	PRT	Portugal	902	ISR	Israel
399	-	Latin America 2&5	517	ITA	Italy	903	SYR	Syria
			519	FIN	Finland	904	TUR	Turkey
			520	CHE	Switzerland	905	JOR	Jordan
			521	DNK	Denmark	906	KWT	Kuwait
			524	MLT	Malta	908	SAU	Saudi Arabia
			550	EEU	East Europe	909	IRQ	Iraq
			556	RUS	Russia	910	IRN	Iran
			599	NEU	North Europe	911	CYP	Cyprus
						915	UAE	United Arab Emirates

Meaning of "R" and "H"

No.	CODE	NAME	R/H	REMARKS
1	XA9644050	T BELT	H	High mortality parts
2	XA8474051	UPSET 4X12 DB		
3	XA9652150	MOTOR FAN		
4	XC5764051	MOTOR HOLDER BASE		
5	X57908052	TAPTITE, BIND S M4X10		
6	XE8185001	MAIN MOTOR ASSY	R/H	Recommend spare parts & High mortality parts
7	XC6481051	MOTOR CAP		
8	XA9649050	FEEDER TUBE 3X		
9	XC0443051	SPACER 4X7		
10	XA9650051	MOTOR SPACER PRESSER		
11	052401605	SCREW, PAN (S/P WASHER) M4X16		
12	XC5762051	MOTOR HOLDER		
13	XC5763051	MOTOR HOLDER SPACER		
14	XE1142001	NEEDLE PLATE	R	Recommend spare parts
15	XC6404051	SCREW, FLAT M4		

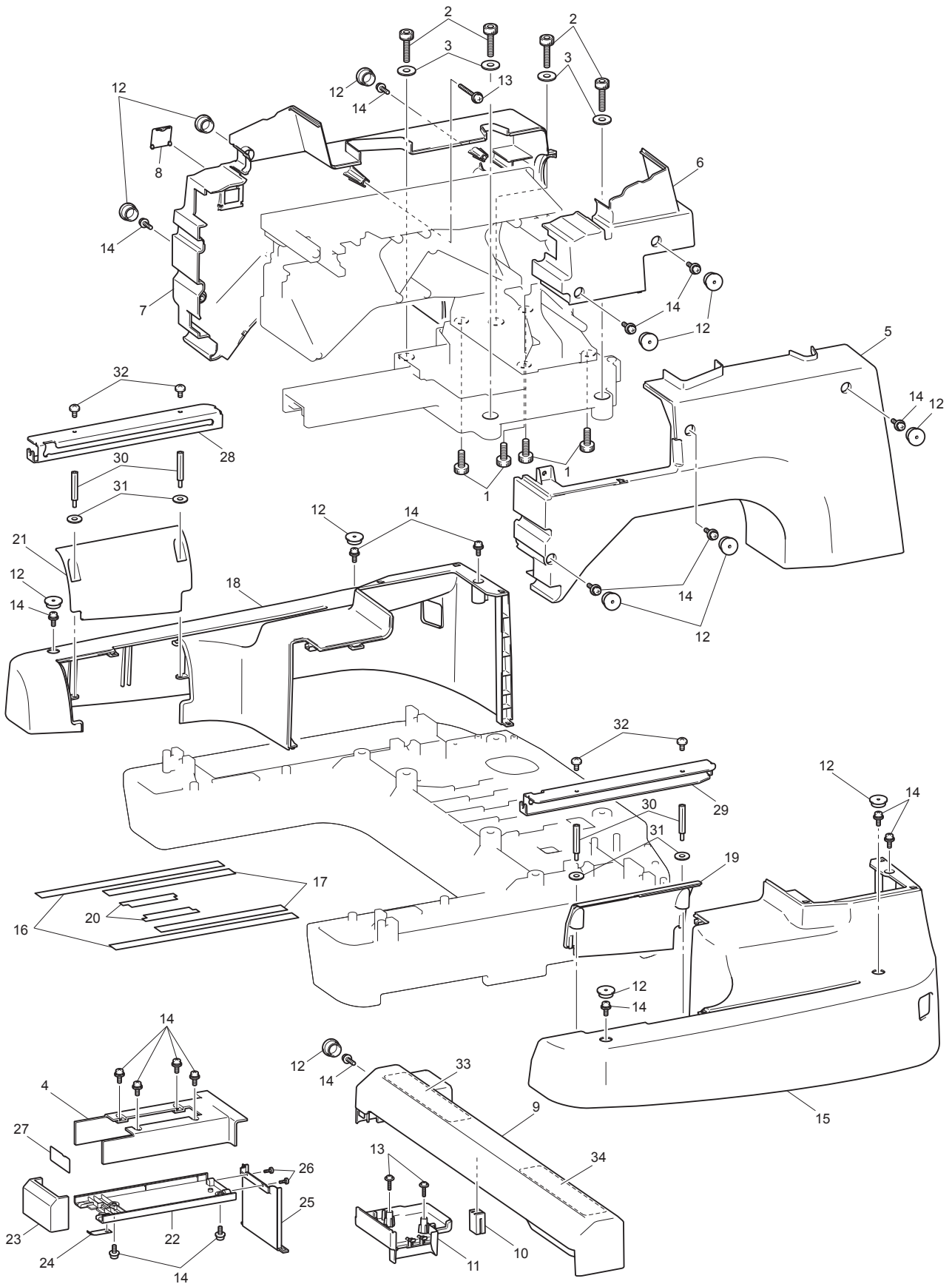
CONTENTS

(1) MAIN FRAME / COVER	2
(2) UPPER SHAFT MECHANISM.....	4
(3) NEEDLE BAR MECHANISM.....	6
(4) NEEDLE CHANGER UNIT	10
(5) NEEDLE THREADING MECHANISM	12
(6) ELECTRIC PARTS	14
(7) MAIN MOTOR UNIT	18
(8) XYCARRIAGE MECHANISM	20
(9) LOWER SHAFT MECHANISM.....	26
(10) THREAD CUTTING MECHANISM	28
(11) WIPER MECHANISM	30
(12) UPPER THREADING MECHANISM	32
(13) ACCESSORY PARTS	38
(14) PACKAGE / USER MANUAL.....	42
(15) SPARE PARTS / ADJUSTING PARTS.....	44

Note on parts:

We keep performance parts for this sewing machine for at least 8 years after this model is discontinued. Performance parts are the necessary parts to maintain the function of the sewing machine.

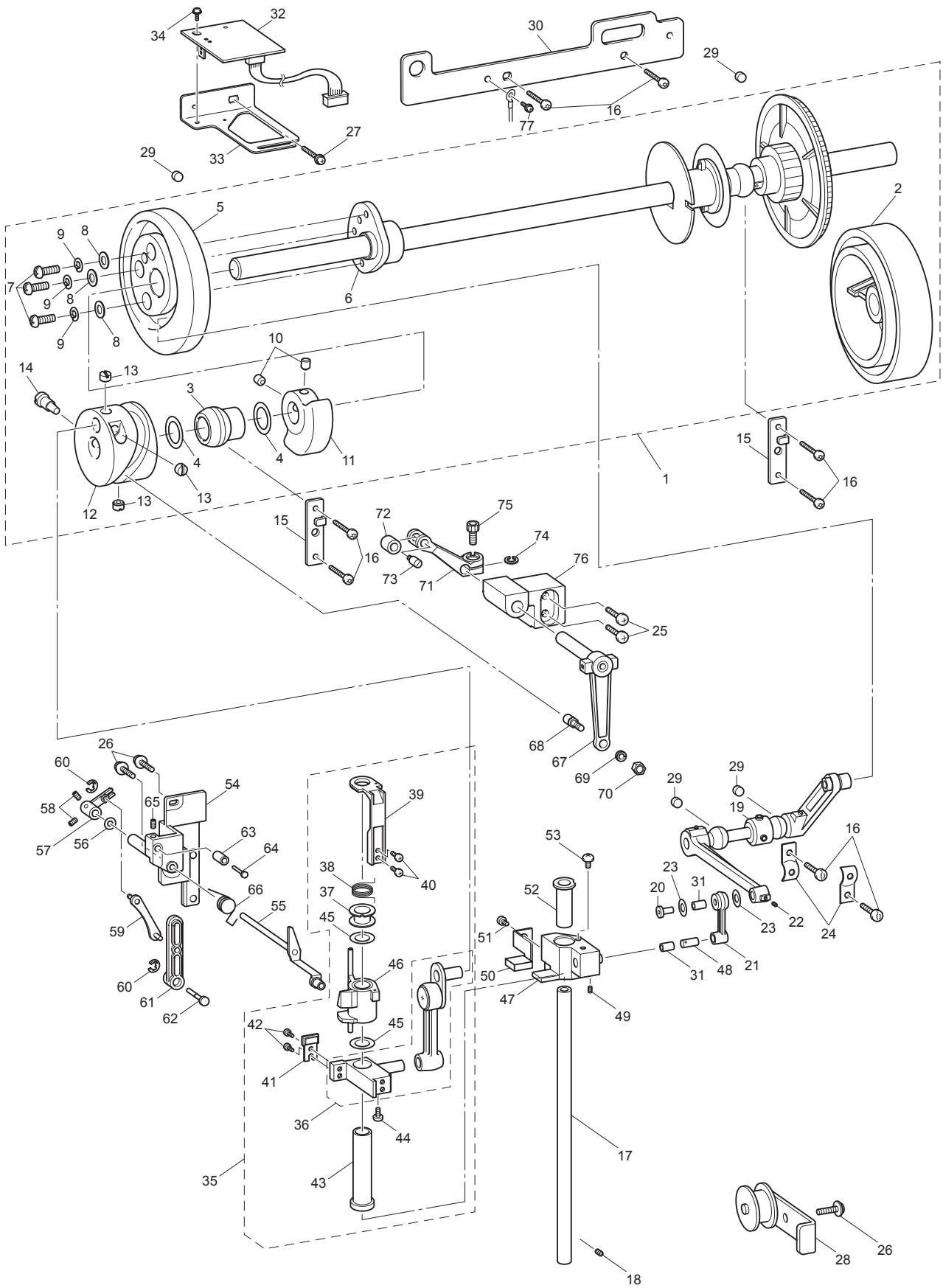
(1) MAIN FRAME / COVER



(1) MAIN FRAME / COVER

No.	CODE	NAME	R/H	REMARKS
1	018082036	BOLT SOCKET M8X20		
2	018083536	BOLT SOCKET M8X35		
3	025080236	WASHER PLAIN M 8		
4	XE1807102	BED COVER TOP	R	
5	XE8095201	ARM COVER R	R	
6	XE8097001	ARM COVER R LID	R	
7	XE8098101	ARM COVER L	R	
8	XE8100001	CONNECTOR LID ARM COVER		
9	XE7372001	CARRIAGE COVER	R	
10	XE7431001	RUBBER		
11	XE7373001	MOTOR COVER	R	
12	XC5594052	SCREW COVER		
13	087411416	TAPTITE CUP B M4X14		
14	0A5401006	SCREW PAN (S/P WASHER) M4X10		
15	XC5581152	BASE COVER R	R	
16	XG2405001	GROOVE COVER D		
17	XC6070051	GROOVE COVER B		
18	XC5583152	BASE COVER L	R	
19	XC5582152	BASE COVER R LID	R	
20	XG6557001	GROOVE COVER G		
21	XC5584152	BASE COVER L LID	R	
22	XC5587052	BED COVER BOTTOM	R	
23	XF7357001	HOOK COVER ASSY (USA, CAN)	R	
	XE1806102	ROTARY HOOK COVER (OTHER)	R	
24	X53638151	SPRING		
25	XC6066052	BED COVER LID	R	
26	X59629051	TAPTITE,BIND B M3X10		
27	XC6552051	OILING CAUTION LABEL		
28	XE7200001	TABLE PLATE L ASSY		
29	XE7201001	TABLE PLATE R ASSY		
30	XE8036001	STUD		
31	025040236	WASHER PLAIN M 4		
32	008400603	SCREW TRUSS M4X6		
33	XE8643101	LABEL INJURY 32X161		
34	XE8328201	LABEL INJURY 32X161		

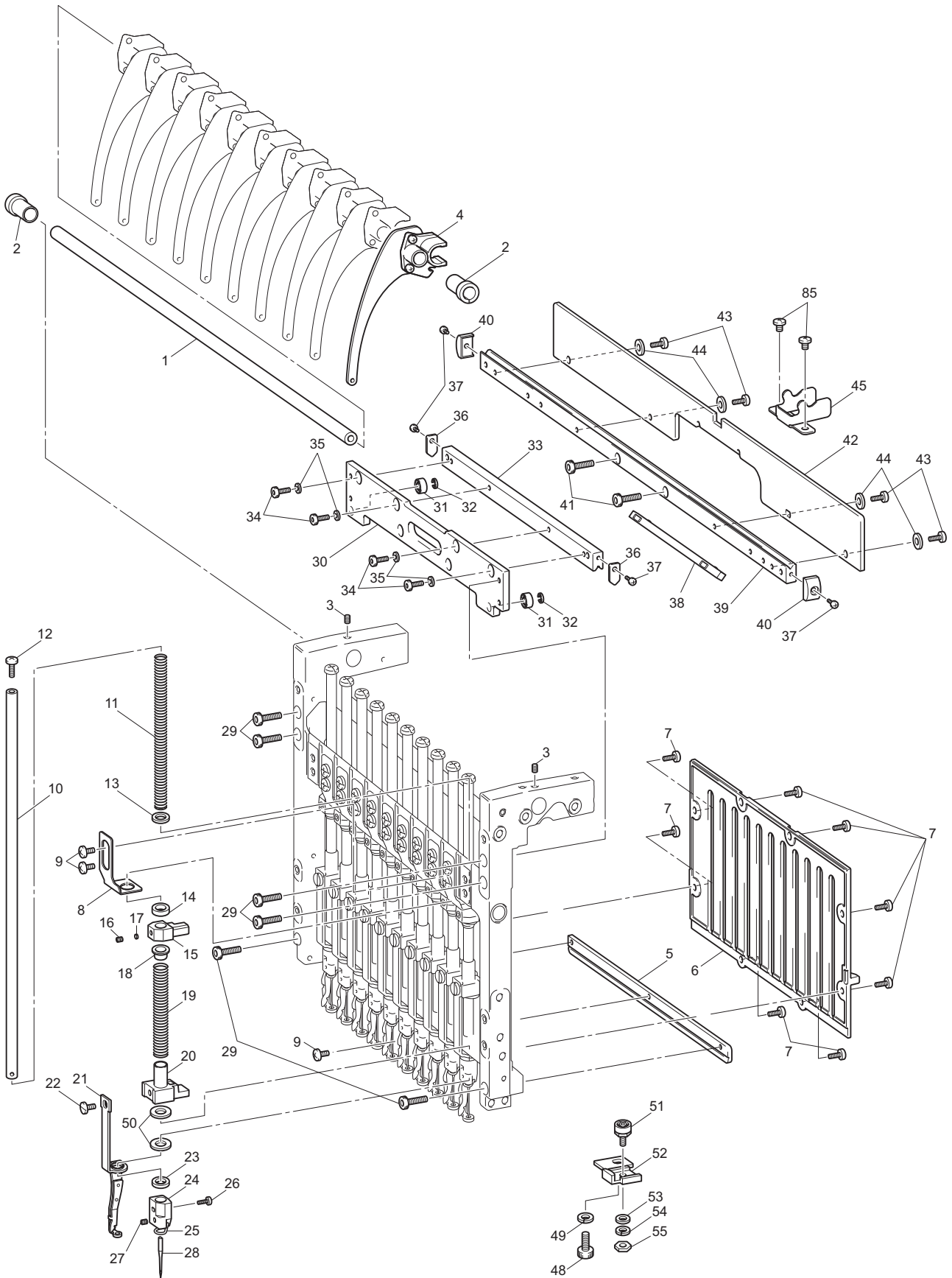
(2) UPPER SHAFT MECHANISM



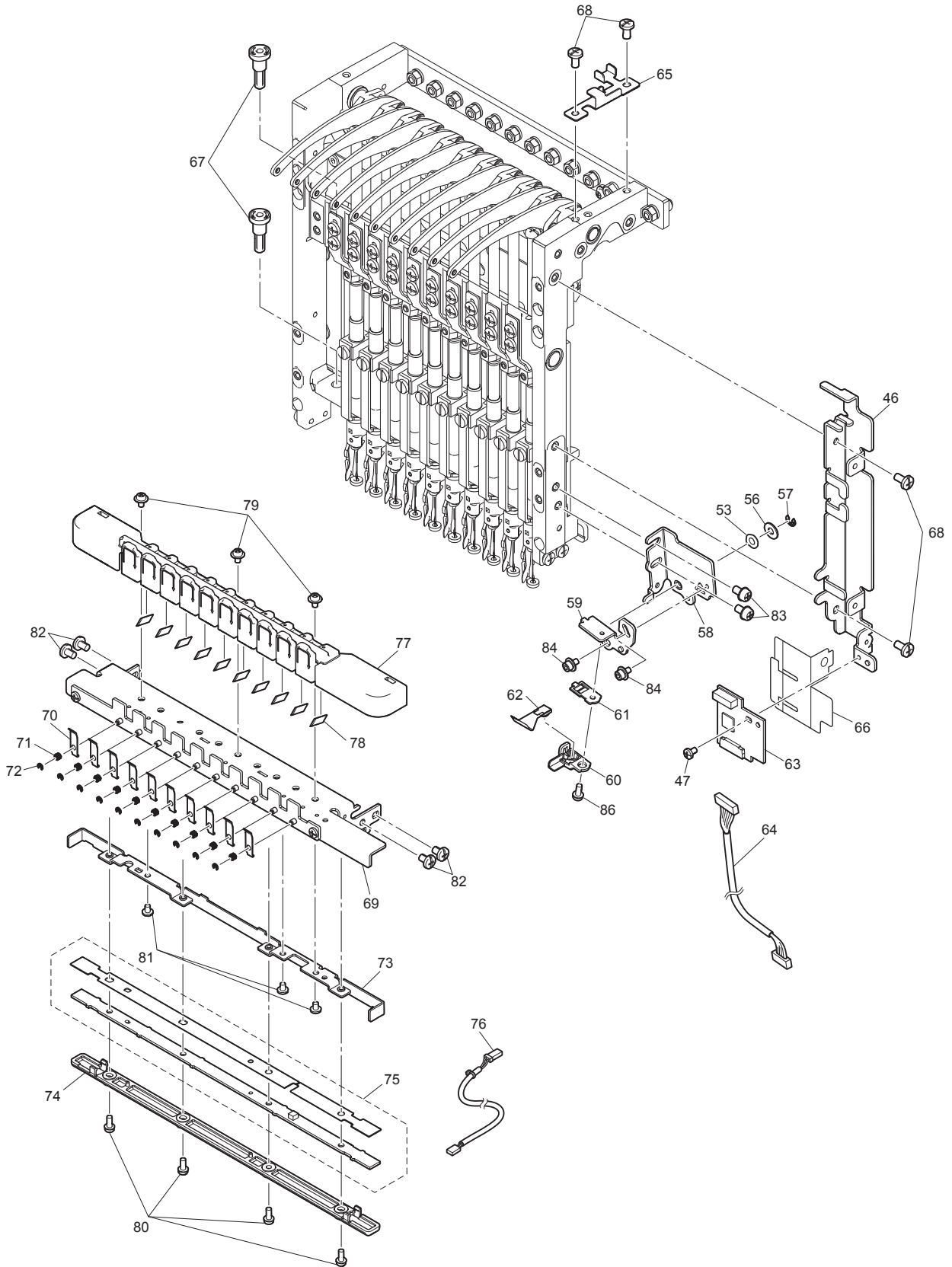
(2) UPPER SHAFT MECHANISM

No.	CODE	NAME	R/H	REMARKS	No.	CODE	NAME	R/H	REMARKS
1	XE3702302	UPPER SHAFT SUPPLY ASSY			45	131976050	WASHER, THRUST		
2	XC5597152	PULLEY			46	XE7550001	JUMP BRACKET		
3	XC5603051	UPPER SHAFT METAL			47	XC5635151	P-FOOT VERTICAL BASE		
4	X55548050	WASHER, TRUST			48	XC5636151	P-FOOT VERTICAL PIN		
5	XC5605251	PRESSER FOOT CAM			49	014400432	SET SCREW, SOCKET (CP) M4X4		
6	XC5606051	PRESSER FOOT CAM COLLAR			50	XC5638251	PRESSER FOOT CUSHION BASE	H	
7	062401213	SCREW PAN M4X12			51	060300516	SCREW, BIND M3X5		
8	025040133	WASHER, PLAIN S 4			52	XC5637051	P-FOOT VERTICAL BUSH		
9	028040343	WASHER SPRING 3-4			53	008260304	SCREW, TRUSS M2.6X3		
10	014500632	SET SCREW SOCKET (CP) M5X6			54	XC5648051	J BASE ASSY		
11	XC5607051	BALANCER			55	XC5651051	J DRIVING LEVER ASSY		
12	XC5609051	THREAD TAKE-UP CAM			56	X53027050	WASHER		
13	XE1211001	SET SCREW (CP) SM6.35			57	XC5656051	J DIFFERENTIAL LEVER		
14	XC5610051	SCREW			58	014300432	SET SCREW, SOCKET (CP) M3X4		
15	XC6362051	METAL PRESSER			59	XC5657051	J LINK ASSY		
16	X57908052	TAPTITE, BIND S M4X10			60	048040343	RETAINING RING, E4		
17	XC5623051	BASE NEEDLE BAR			61	XC5661051	J SLIDE LEVER		
18	014500632	SET SCREW, SOCKET (CP) M5X6			62	XC5662051	J SLIDE LEVER SHAFT		
19	XC5624351	DRIVING SHAFT ASSY, P-FOOT			63	XC5663051	J CUSHION		
20	XC5632251	P-FOOT LEVER SHAFT			64	XC5664051	J CUSHION PIN		
21	XC5633251	CONNECTING ROD, P-FOOT			65	012300432	SET SCREW, SOCKET (FT) M3X4		
22	014400432	SET SCREW, SOCKET (CP) M4X4			66	XC5665051	J LEVER SPRING		
23	X50546050	WASHER, THRUST			67	XC5639051	DRIVING LEVER ASSY, T/TAKE-UP		
24	132421051	BUSHING PRESSER			68	XC5627051	ROLLER SHAFT ASSY		
25	060501216	SCREW, BIND M5X12			69	028050246	WASHER, SPRING 2-5		
26	0A5401006	SCREW PAN (S/P WASHER) M4X10			70	021500103	NUT, 1 M5		
27	0A4401006	SCREW PAN (S/P WASHER) M4X10			71	XC5645051	DIFFERENTIAL LEVER, T/TAKE-UP		
28	XC6784151	TENSION PULLEY ASSY			72	107550002	ROLLER		
29	XC3183051	FELT			73	S32575001	THREAD TAKE-UP ROLLER PIN		
30	XE7848101	LED LEAD WIRE HOLDER			74	148782001	SPACER		
31	XZ0207051	LINK FELT, 3.3M			75	018501232	BOLT, SOCKET M5X12		
32	XG5493001	MAIN SHAFT SENSOR PCB ASSY			76	XC5646051	BEARING, T/TAKE-UP		
33	XC5666051	SENSOR HOLDER			77	XC7564051	SCREW PAN(S/P WASHER)M3X6		
34	XC7564051	SCREW, PAN (S/P WASHER) M3X6							
35	XZ0319151	JUMP BRACKET ASSY							
36	XC7135051	CRANK ROD SET	H						
37	XC5616051	J SPRING COLLAR							
38	XC5617051	J SPRING							
39	XC5614051	J BRACKET							
40	062300416	SCREW, PAN M3X4							
41	XC5622051	J CUSHION BASE							
42	062260316	SCREW, PAN M2.6X3							
43	XC5621051	J VERTICAL BUSH							
44	008260304	SCREW, TRUSS M2.6X3							

(3) NEEDLE BAR MECHANISM



(3) NEEDLE BAR MECHANISM



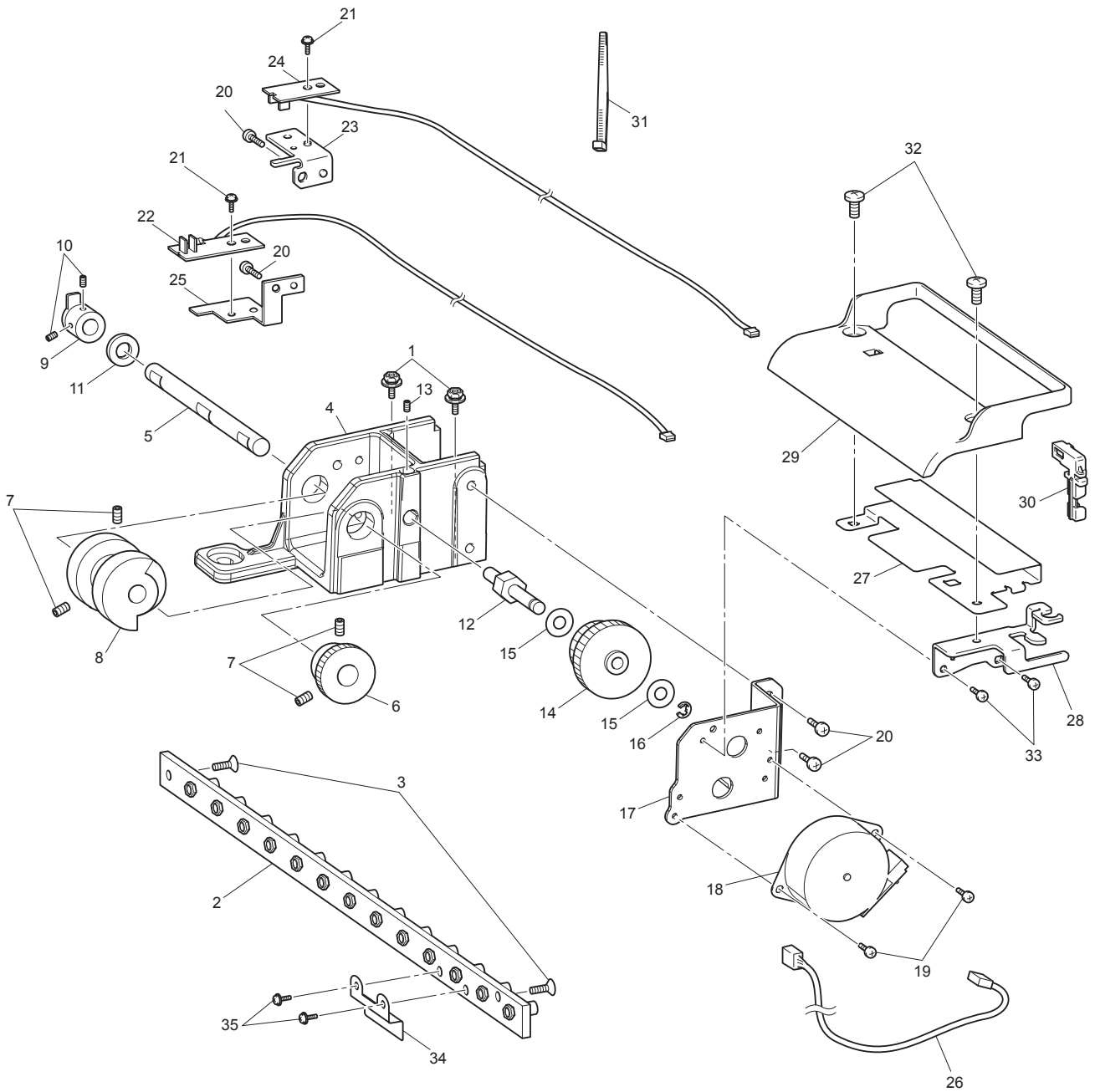
(3) NEEDLE BAR MECHANISM

No.	CODE	NAME	R/H	REMARKS	No.	CODE	NAME	R/H	REMARKS
1	XE7851001	THREAD TAKE-UP SHAFT			45	XE7861001	THREAD LEVER GUIDE PLATE		
2	XC5672051	THREAD TAKE-UP BUSH			46	XG5310001	THREAD LEVER COVER HOLDER		
3	012400432	SET SCREW, SOCKET (FT) M4X4			47	060300516	SCREW BIND M3X5		
4	XC5673051	THREAD TAKE-UP LEVER ASSY			48	018501632	BOLT SOCKET M5X16		
5	XE7852101	CASE GUIDE, D			49	028050246	WASHER SPRING 2-5		
6	XE7853001	GUIDE RAIL, NEEDLE BAR			50	XC7249052	NEEDLE BAR FELT S	H	
7	060400816	SCREW BIND M4X8			51	XC7472051	CASE POSITIONING SHAFT ASSY		
8	XC5678151	TOP DEAD CENTER PLATE			52	XC5702151	CASE POSITIONING PLATE		
9	060400616	SCREW, BIND M4X6			53	025040236	WASHER PLAIN M 4		
10	XC5679051	NEEDLE BAR			54	028040246	WASHER SPRING 2-4		
11	XC5680051	SPRING, NEEDLE BAR			55	021400206	NUT 2 M4		
12	062500816	SCREW, PAN M5X8							
13	118735002	WASHER							
14	S36153100	RUBBER, CUSHION	H						
15	XE1172001	NEEDLE BAR CLAMP							
16	014680432	SET SCREW, SOCKET SM4.37-40X4							
17	100507050	WASHER							
18	XC5682051	PRESSER FOOT SPRING COLLAR							
19	XC5683051	PRESSER FOOT SPRING							
20	XC5684051	PRESSER FOOT CLAMP							
21	XC5685151	PRESSER FOOT ASSY							
22	XC5688051	SCREW, P/F							
23	XC5689051	PRESSER FOOT CUSHION	H						
24	XC5690051	THREAD GUIDE, NEEDLE BAR							
25	XC7020051	THREAD GUIDE							
26	XC7021052	SCREW SM 2.38							
27	016300436	SET SCREW, SOCKET (CN) M3X4							
28	XC5691011	NEEDLE HAX130 EBBR							
29	018401632	BOLT, SOCKET M4X16							
30	XE7855001	CASE BRACKET ASSY							
31	070694809	BALL BEARING RADIAL 694ZZ							
32	048030343	RETAINING RING, E3							
33	XE7857001	CASE GUIDE, US							
34	018400832	BOLT, SOCKET M4X8							
35	XC7406051	WASHER							
36	XC5697051	SLIDE ROLLER STOPPER							
37	062300416	SCREW, PAN M3X4							
38	XE7858001	SLIDE ROLLER							
39	XE7859001	CASE GUIDE, UL							
40	XC5700051	CASE GUIDE COVER, UL							
41	018401232	BOLT, SOCKET M4X12							
42	XE7860001	THREAD TAKE-UP GUIDE							
43	062400816	SCREW, PAN M4X8							
44	025040236	WASHER, PLAIN M 4							

(3) NEEDLE BAR MECHANISM

No.	CODE	NAME	R/H	REMARKS
56	X59915021	SPRING WASHER		
57	048030343	RETAINING RING E3		
58	XE7863101	CMR HOLDER LR		
59	XE7849001	CMR HOLDER BF ASSY		
60	XG5308001	CMR COVER		
61	XF9240001	CMR COVER CAP		
62	XG2093001	CAMERA MODULE SUPPLY ASSY		
63	XG4563001	CAMERA RELAY PCB ASSY		
64	XG5259001	LEAD WIRE ASSY CAMERA RELAY		
65	XE7866001	N.BAR CASE CABLE HOLDER T		
66	XG5298001	CMR RELAY PCB INSULATING SHEET		
67	XE7899001	NEEDLE BAR CAP		
68	060400816	SCREW BIND M4X8		
69	XG5339001	THREAD HOLDER BASE ASSY		
70	XE8079001	NEEDLE THREAD PRESSER PLATE		
71	XC5962051	SPRING		
72	048015343	RETAINING RING E1.5		
73	XG5329001	LED HOLDER		
74	XG5330001	LED COVER		
75	XG5496001	LED1 PCB SUPPLY ASSY		
76	XG5098001	LEAD WIRE ASSY LED FRONT		
77	XG5333001	CUTTER COVER		
78	X80321001	NT LOWER THREAD CUTTER		
79	0A5300606	SCREW PAN (S/P WASHER) M3X6		
80	0A4300806	SCREW PAN (S/P WASHER) M3X8		
81	060300416	SCREW BIND M3X4		
82	060400616	SCREW BIND M4X6		
83	0A4401006	SCREW PAN (S/P WASHER) M4X10		
84	XE7911001	BOLT SOCKET(S/P WASHER)M3X6		
85	060400516	SCREW BIND M4X5		
86	XA8390051	SCREW		

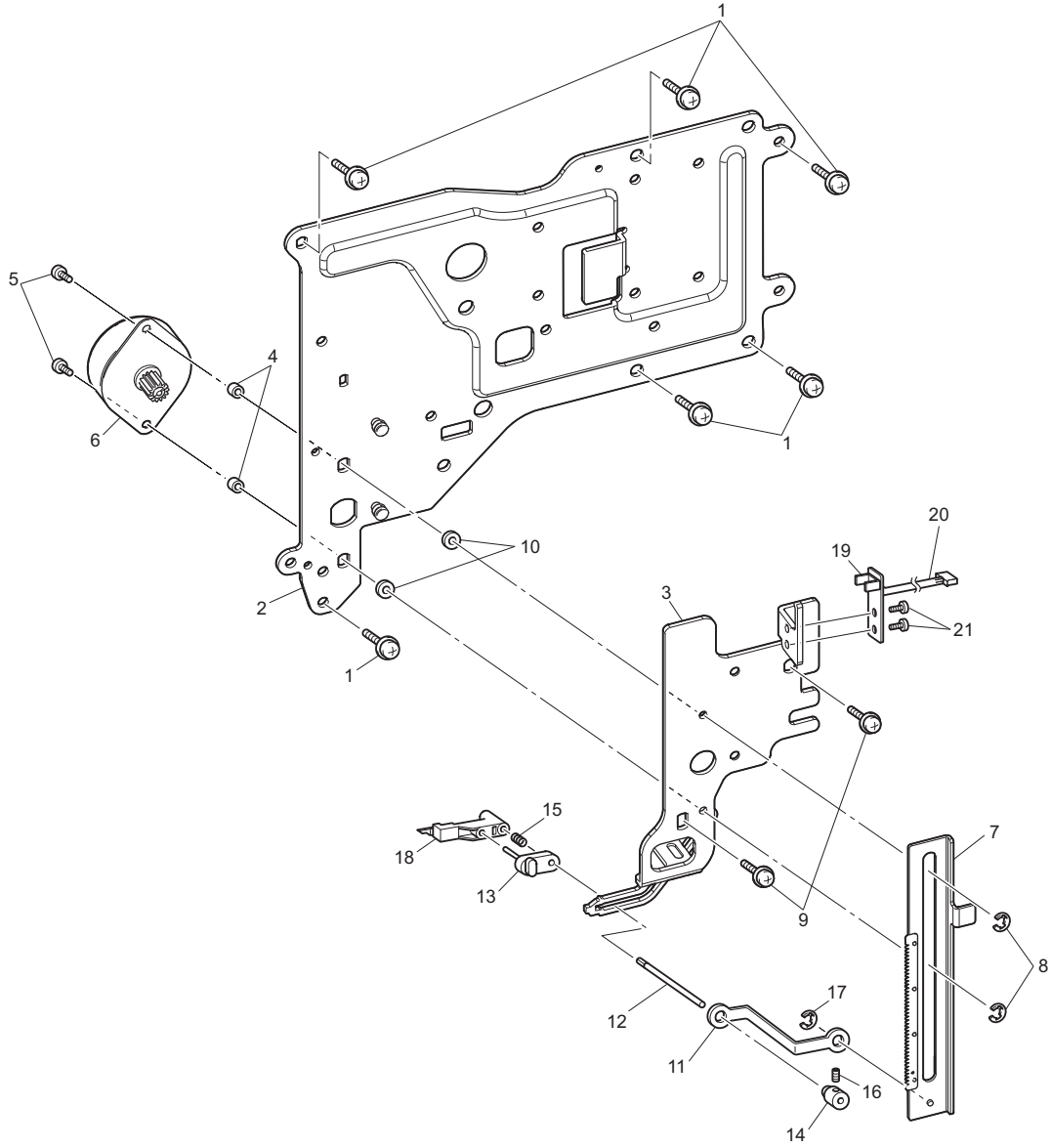
(4) NEEDLE CHANGER UNIT



(4) NEEDLE CHANGER UNIT

No.	CODE	NAME	R/H	REMARKS
1	XC7323151	BOLT (S/P WASHER) M5X16		
2	XE7867001	CHANGE ROLLER BASE ASSY		
3	004401003	SCREW, FLAT M4X10		
4	XC5705051	CHANGE BOX ASSY		
5	XC5708051	CHANGE CAM SHAFT		
6	XC5709051	CHANGE GEAR		
7	014500632	SET SCREW, SOCKET (CP) M5X6		
8	XC5710051	CHANGE CAM		
9	XC5711051	C STOP POSITION DOG		
10	014400432	SET SCREW, SOCKET (CP) M4X4		
11	X51383050	WASHER, THRUST		
12	XC5712051	DIFFERENTIAL GEAR SHAFT		
13	012400432	SET SCREW, SOCKET (FT) M4X4		
14	XC5713051	C DIFFERENTIAL GEAR		
15	025060235	WASHER, PLAIN M 6		
16	048040343	RETAINING RING, E4		
17	XE7871101	CHANGE MOTOR BASE 10		
18	XG5743001	PULSE MOTOR:I M42SP-6N		
19	062300416	SCREW, PAN M3X4		
20	060400816	SCREW, BIND M4X8		
21	XC7564051	SCREW, PAN (S/P WASHER) M3X6		
22	XG4172001	INDEX SENSOR PCB ASSY		
23	XE7870101	C SENSOR BRACKET 10		
24	XG4171001	COLOR CHANGE SENSOR PCB ASSY		
25	XC5716051	C SENSOR BRACKET LOWER		
26	XG6119001	LEAD WIRE ASSY INDEX MOTOR		
27	XE7895001	CABLE DIVIDE PLATE		
28	XE7896001	CENTER COVER HOLDER		
29	XE7873001	CHANGE BOX CENTER COVER 10		
30	XE7909101	LED CABLE CLAMP		
31	X53169050	BAND		
32	060400816	SCREW BIND M4X8		
33	060300416	SCREW BIND M3X4		
34	XE7898001	C NEEDLE POSITION DOG		
35	0A5300606	SCREW PAN (S/P WASHER) M3X6		

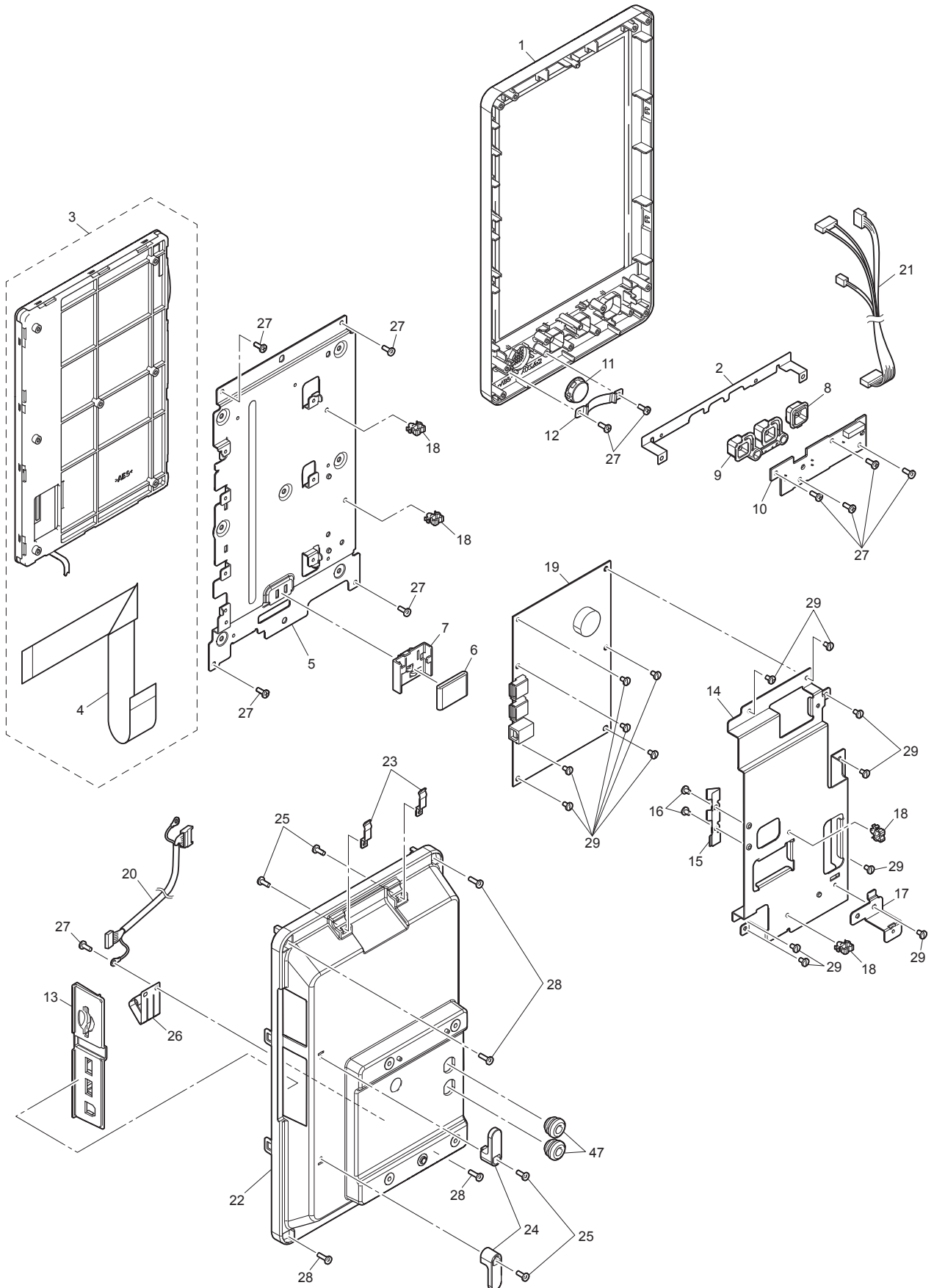
(5) NEEDLE THREADING MECHANISM



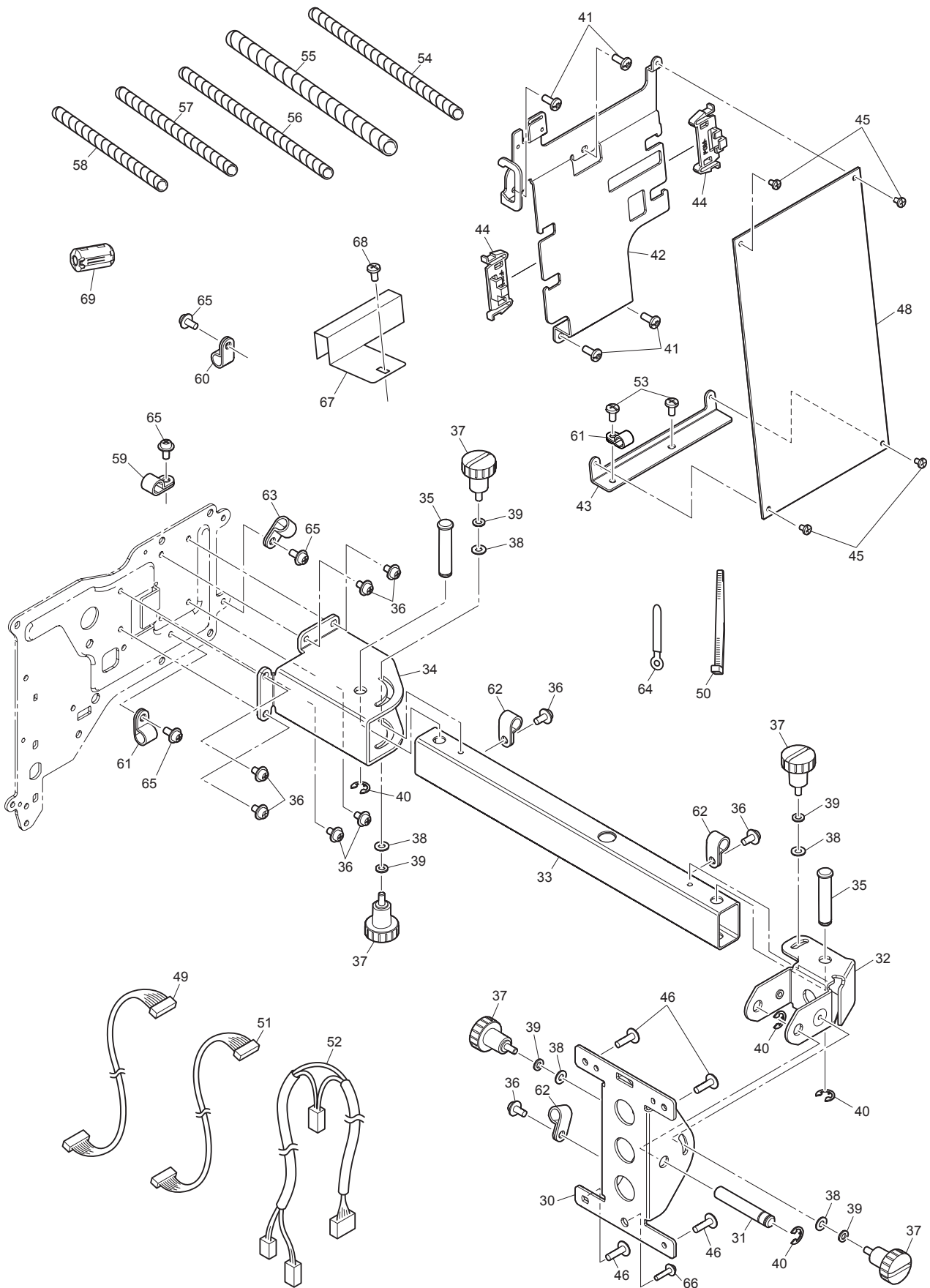
(5) NEEDLE THREADING MECHANISM

No.	CODE	NAME	R/H	REMARKS
1	X57908052	TAPTITE, BIND S M4X10		
2	XC5723351	THREAD GUIDE BASE		1000056727
3	XG3146001	BASE PLATE ASSY		
4	XC5727151	SPACER		
5	062300616	SCREW, PAN M3X6		
6	XG5376001	PULSE MOTOR:W M35SP-9NK		
7	XC6507051	RACK ASSY		
8	048040343	RETAINING RING, E4		
9	0A5400806	SCREW, PAN (S/P WASHER) M4X8		
10	025040136	WASHER, PLAIN S 4		
11	XC5730051	HOOK HOLDER LINK		
12	XC5739151	HOOK HOLDER AXIS B		
13	XC6510051	SET COLLAR ASSY		
14	XC6076151	BUSH		
15	XC7375051	HOOK HOLDER SPRING	H	
16	014300332	SET SCREW, SOCKET (CP) M3X3		
17	048030343	RETAINING RING, E3		
18	XC5732151	HOOK HOLDER ASSY	R/H	
19	XG4169001	NEEDLE TH SENSOR PCB ASSY		
20	XG5367001	LEAD WIRE ASSY THPM		
21	XC7564051	SCREW, PAN (S/P WASHER) M3X6		

(6) ELECTRIC PARTS



(6) ELECTRIC PARTS



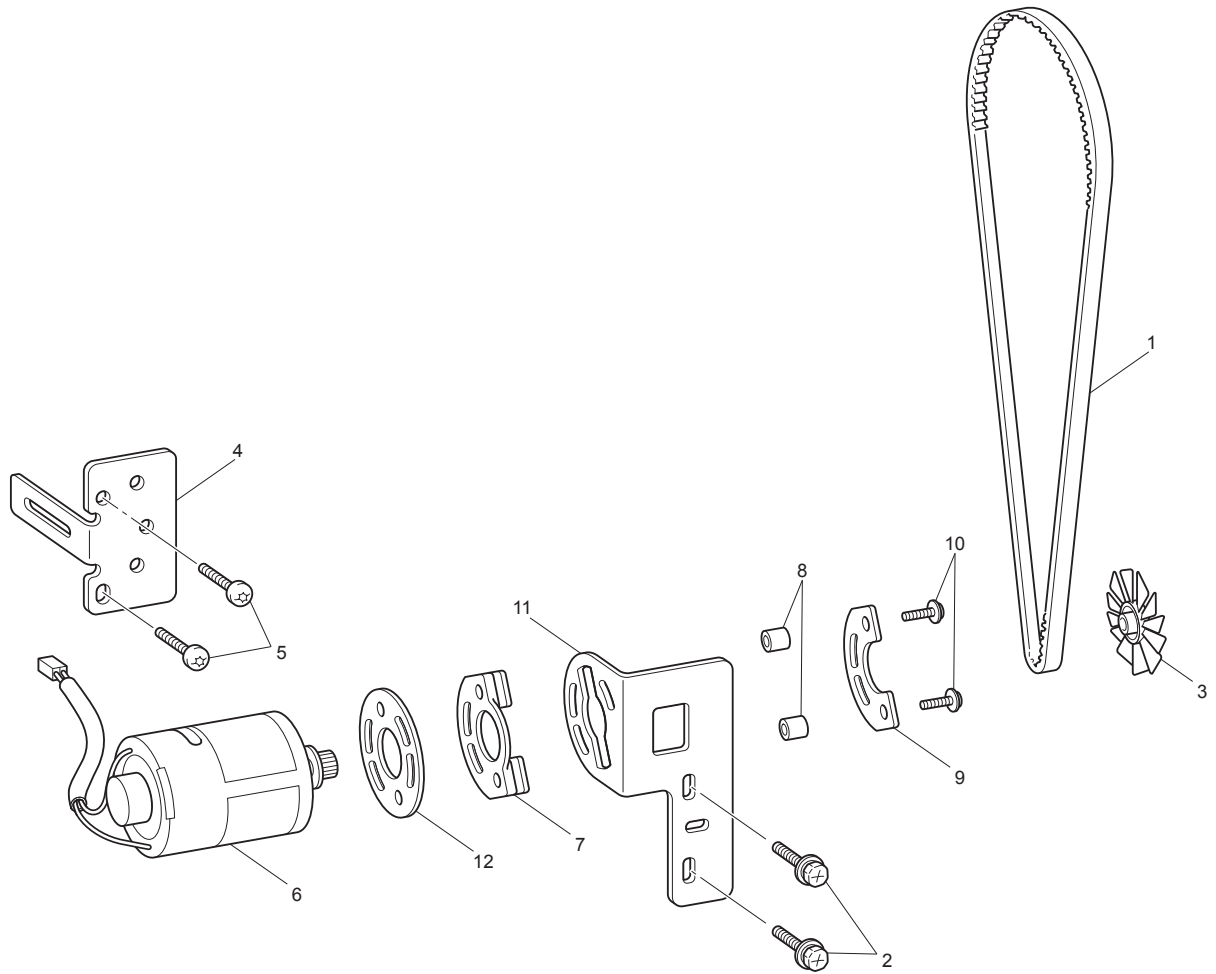
(6) ELECTRIC PARTS

No.	CODE	NAME	R/H	REMARKS	No.	CODE	NAME	R/H	REMARKS
1	XG5277001	PANEL FRONT COVER ASSY	R		43	XE8103001	BOARD HOLDER D		
2	XG5280001	PANEL LCD F HOLDER ASSY			44	XE8104001	PCB SUPPORTER		
3	XG1204001	LCD SUPPLY ASSY	R		45	XC7564051	SCREW, PAN (S/P WASHER) M3X6		
4	XG1403001	FFC SUPPLY ASSY			46	087411416	TAPTITE, CUP B M4X14		
5	XG5263001	PANEL LCD HOLDER			47	XC7233051	CORD BUSHING 5P-4		
6	XE9920001	FERRITE CORE:FSRC310200RN000T			48	XG6929001	MAIN PCB SUPPLY ASSY	R/H	
7	XE9963001	FERRITE HOLDER WIDE			49	XG5213001	LEAD WIRE ASSY HEAD-MAIN 1		
8	XG5268001	SS BUTTON			50	X53169050	BAND		
9	XG5271001	OPERATION BUTTON			51	XG5214001	LEAD WIRE ASSY HEAD-MAIN 2		
10	XG5188001	SS PCB ASSY			52	XG5097001	LEAD WIRE ASSY LED MAIN		
11	XG1729001	SPEAKER SUB ASSY			53	060400816	SCREW BIND M4X8		
12	XF9172001	SPEAKER BRACKET			54	XC5069051	SPIRAL TUBE A		
13	XG5266001	USB SD COVER			55	XC5073051	SPIRAL TUBE B		
14	XG5264001	PANEL PCB HOLDER			56	XC5078051	SPIRAL TUBE C		
15	XE5267001	GROUND PLATE USB			57	XC6407051	SPIRAL TUBE D		
16	060300416	SCREW BIND M3X4			58	XG6821001	SPIRAL TUBE E		
17	XG5274001	PANEL SUB HOLDER			59	XZ0201051	CORD CLAMP: WL-5/8 (for 54)		
18	XG5583001	CORD CRAMP:RMS-1V0			60	XA8837051	CORD CLAMP (for 55,58)		
19	XG6926101	PANEL PCB SUPPLY ASSY:U (USA, AUS&NZL)	R/H	1000055783	61	XC5243052	CORD CLAMP: NK-5N (for 56,57)		
	XG6927101	PANEL PCB SUPPLY ASSY:CE (OTHER)	R/H	1000055783	62	XA8837052	CORD CLAMP		
20	XG5193101	LEAD WIRE ASSY PANEL-MAIN		1000056110	63	S10243000	CORD HOLDER, NK-3N		
21	XG5190001	LEAD WIRE ASSY SS			64	137947001	CLIP		
22	XG5265001	PANEL REAR COVER	R		65	0A5401006	SCREW, PAN (S/P WASHER) M4X10		
23	XE6246003	PEN HOLDER			66	0A5301206	SCREW PAN (S/P WASHER) M3X12		
24	XD0761053	USB CORD HOLDER			67	XC5157051	PROTECT SHEET		
25	136681051	TAPTITE, BIND B M3X8			68	060400516	SCREW, BIND M4X5		
26	XG1741001	GROUND SPRING			69	XE8700001	FERRITE CORE:LF0930		
27	136681051	TAPTITE, BIND B M3X8							
28	X59629051	TAPTITE, BIND B M3X10							
29	060300516	SCREW BIND M3X5							
30	XE6259001	PANEL HOLDER							
31	XC5747051	OPERATION PANEL HOLDER SHAFT							
32	XD0664051	OPERATION PANEL LEVER A							
33	XE8101001	OPERATION PANEL LEVER B							
34	XD0666251	OPERATION PANEL LEVER C							
35	XC5751051	OPERATION PANEL LEVER SHAFT							
36	0A5400806	SCREW, PAN (S/P WASHER) M4X8							
37	XC5553051	THUMB BOLT M4 L							
38	026040236	WASHER, PLAIN M 4							
39	028040246	WASHER, SPRING 2-4							
40	048060343	RETAINING RING, E6							
41	X57908052	TAPTITE, BIND S M4X10							
42	XG6785001	BOARD HOLDER U ASSY							

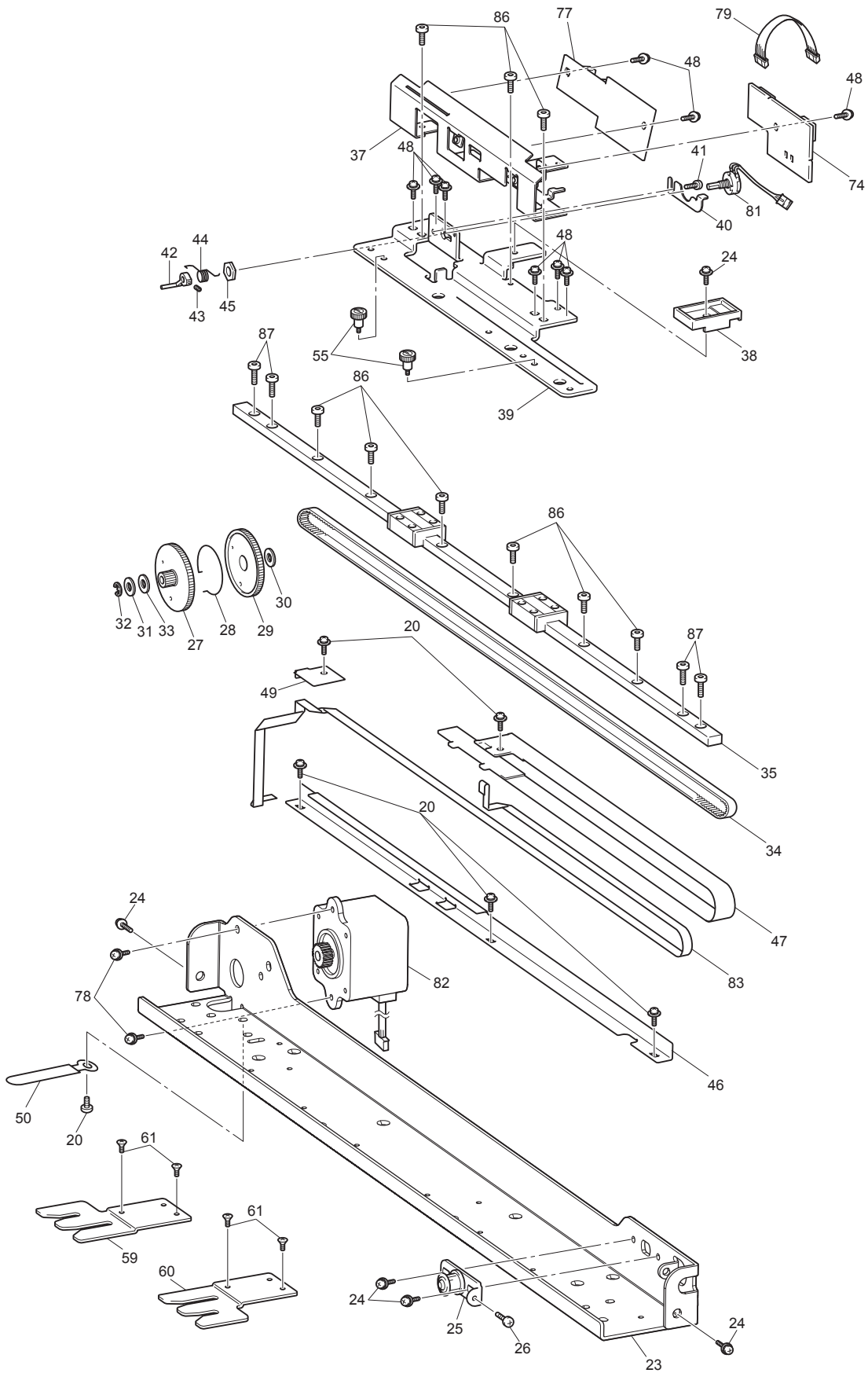
(6) ELECTRIC PARTS

Blank page

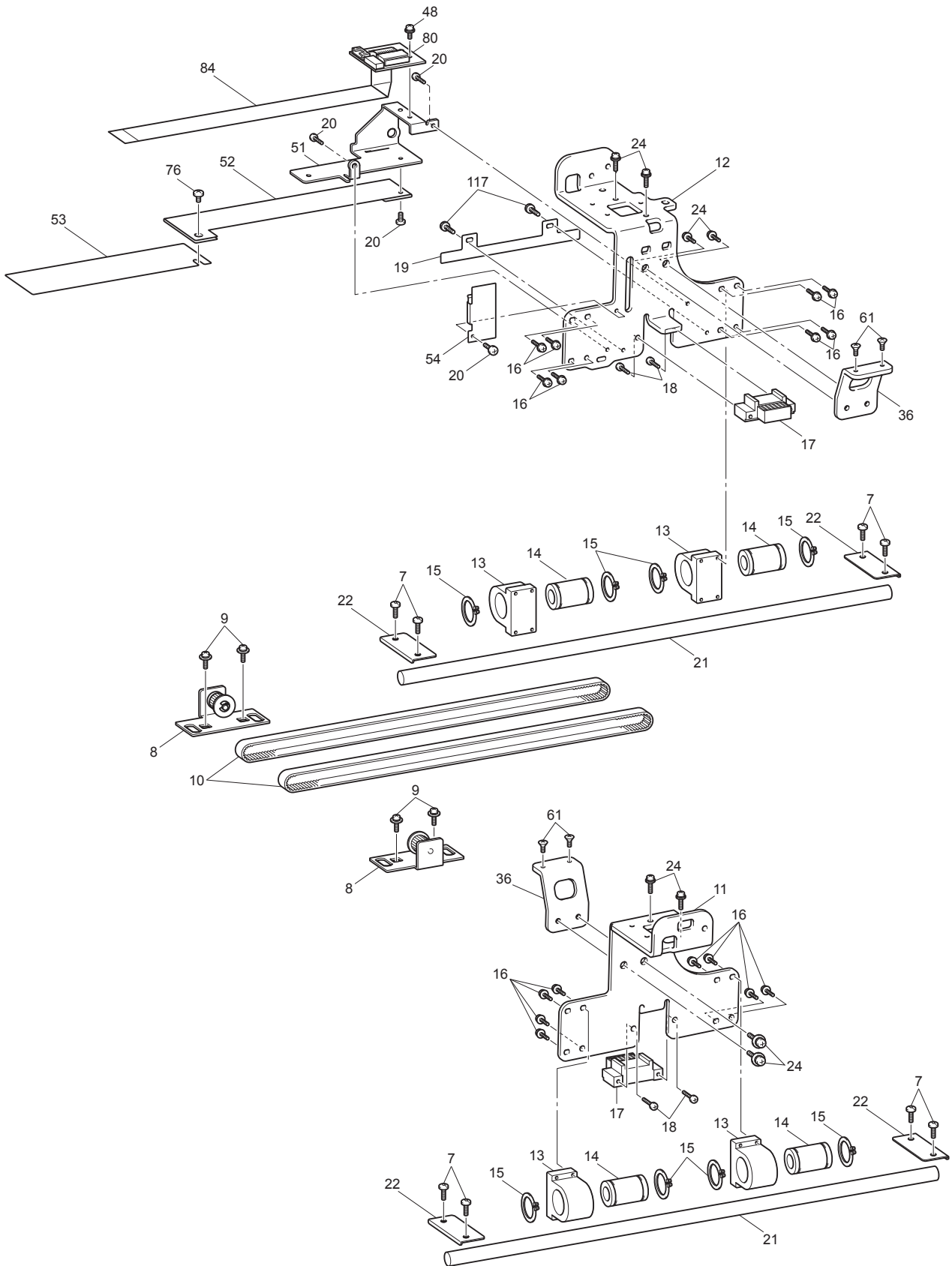
(7) MAIN MOTOR UNIT



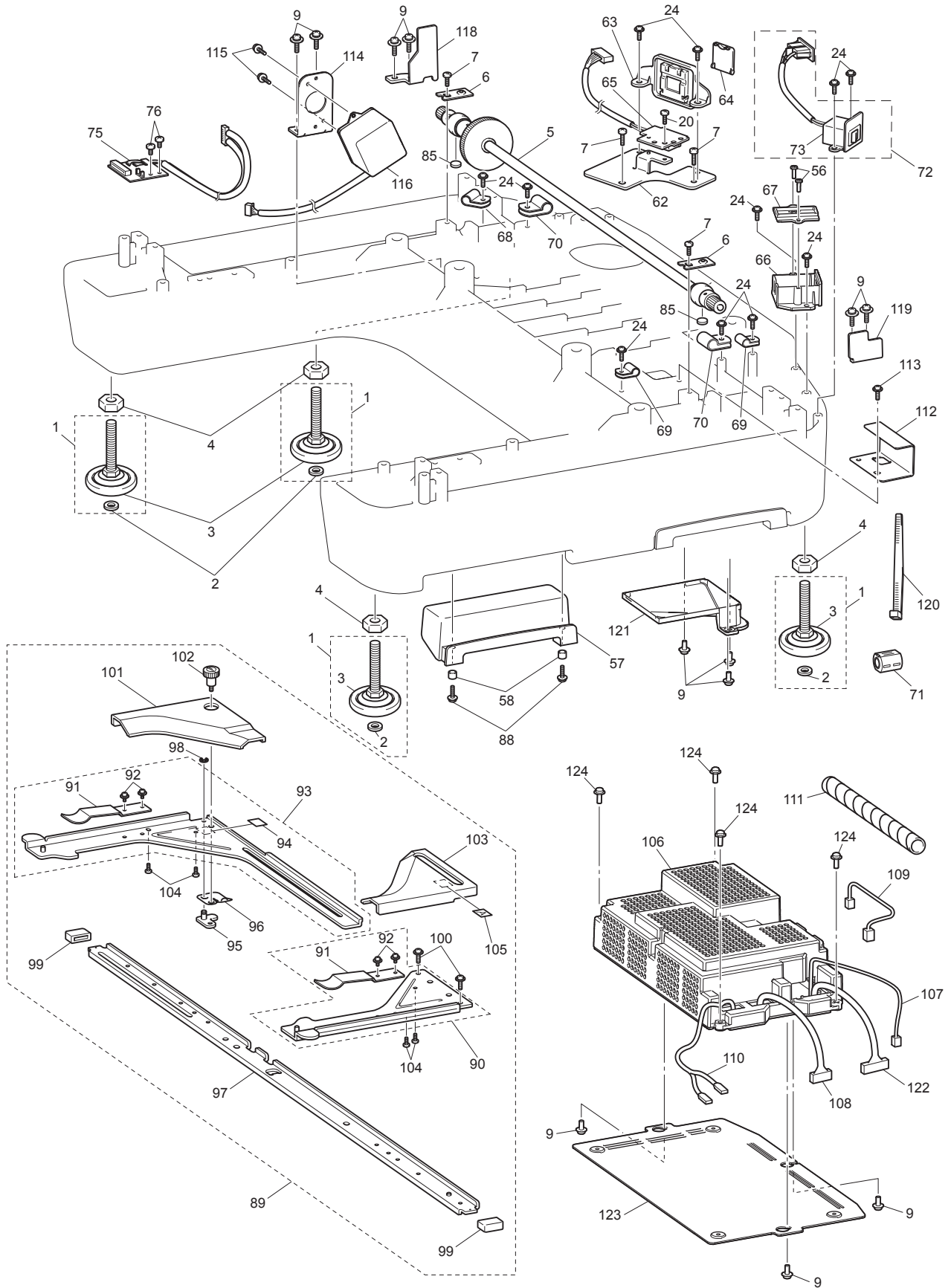
(8) XYCARRIAGE MECHANISM



(8) XYCARRIAGE MECHANISM



(8) XYCARRIAGE MECHANISM



(8) XYCARRIAGE MECHANISM

No.	CODE	NAME	R/H	REMARKS	No.	CODE	NAME	R/H	REMARKS
1	XD0747051	ADJUST BOLT M8			45	X52569001	NUT		
2	XD0751051	WASHER			46	XE7134001	X SENSOR DOG		
3	XD0752051	RUBBER CUSHION	H		47	XE7354001	X CABLE FIXING SHEET L		
4	021080206	NUT, 2 M8			48	XC7564051	SCREW, PAN (S/P WASHER) M3X6		
5	XC5767151	Y DRIVING SHAFT ASSY			49	XE7355001	X CABLE FIXING SHEET D		
6	X52478051	BUSHING PRESSER			50	XG0870001	COATING CLIP		
7	X57908052	TAPTITE, BIND S M4X10			51	XC5807051	PCB SET PLATE		
8	XC5771051	Y TENSION PLATE SET			52	XC5808051	Y CABLE PROTECTION SHEET A		
9	0A5401006	SCREW, PAN (S/P WASHER) M4X10			53	XC6121051	Y CABLE PROTECTION SHEET B		
10	XC5775051	T BELT B60S3M579			54	XC5809151	CODE GRIP		
11	XE7124001	Y CARRIAGE R			55	XC5817051	SCREW, KNOB M4S		
12	XE7125001	Y CARRIAGE L			56	X59629051	TAPTITE, BIND B M3X10		
13	XC5779051	BEARING CASE Y			57	XC5834052	HANDLE		
14	XC5780001	BEARING 10, LINER			58	XC5835051	BUSH 4X4		
15	048190142	RETAINING RING, EXTERNAL C19			59	XE2319001	CYLINDER CONNECTION L		
16	0A4301006	SCREW, PAN (S/P WASHER) M3X10			60	XE2320001	CYLINDER CONNECTION R		
17	XC5781251	Y BELT PRESSER			61	061300616	SCREW, FLAT M3X6		
18	085311416	TAPTITE, BIND P M3X14			62	XE8122001	EX CONNECTOR HOLDER		
19	XC5782051	Y SENSOR DOG			63	XE8123001	EX CONNECTOR HOLDER COVER		
20	060300416	SCREW, BIND M3X4			64	XE8124001	EX CONNECTOR HOLDER COVER LID		
21	XC5783051	Y GUIDE SHAFT			65	XE8088001	EXTENSION IF PCB ASSY:PR L		
22	XC5784251	FIXED Y SHAFT PLATE			66	XG4057001	INLET COVER		
23	XG5359001	FEED FRAME 360 ASSY			67	XG4058001	INLET COVER LID		
24	0A5400806	SCREW, PAN (S/P WASHER) M4X8			68	XA8837051	CORD CLAMP		
25	XE7129001	TENSION PULLEY ASSY			69	XA7678051	CORD CRAMP		
26	052301606	SCREW, PAN (S/P WASHER) M3X16			70	XE8308001	CORD CLAMP:WL-1/2		
27	XC3227001	Y DRIVING GEAR PULLEY A			71	XE7045001	FERRITE CORE: LF0930A		
28	XC3194051	SPRING FOR GEAR			72	XE8187101	POWER SWITCH ASSY 120 (USA, CAN)		
29	XC3192001	Y DRIVING GEAR PULLEY B				XE8188101	POWER SWITCH ASSY 200 (OTHER)		
30	X50546050	WASHER, THRUST			73	XG4059001	SWITCH HOLDER		
31	XE0863051	WASHER, M6			74	XE7946001	X AREA PCB ASSY		
32	048040343	RETAINING RING, E4			75	XE7947001	Y AREA PCB ASSY		
33	X53838051	WASHER			76	060400616	SCREW BIND M4X6		
34	XE7154001	T BELT B60S910			77	XE7945001	HOOP PCB ASSY		
35	XE7153001	LM GUIDE SRS9M			78	XA8390051	SCREW		
36	XE7126001	Y CARRIAGE SUB PLATE			79	XE7942001	LEAD WIRE ASSY:X-HOOP		
37	XE7357001	X PCB PLATE			80	XE7948001	CONNECT PCB ASSY		
38	XC5798051	X BELT PRESSER			81	XC6177051	ASSY: HOOP SENSOR		
39	XE7132001	X CARRIAGE A SUB ASSY			82	XG5195001	PULSE MOTOR:X 17PU-H049BG01CN	H	
40	XE7362001	PT METER PLATE B			83	XE7941001	FLEXIBLE FLAT CABLE:SML2CD-CX		
41	060301216	SCREW BIND M3X12			84	XE7940001	FLEXIBLE FLAT CABLE:SML2CD-YC		
42	XC5801051	HOOP LEVER			85	XC3183051	FELT		
43	012300632	SET SCREW, SOCKET (FT) M3X6			86	018300632	BOLT SOCKET M3X6		
44	XC5802051	SPRING			87	018300836	BOLT SOCKET M3X8		

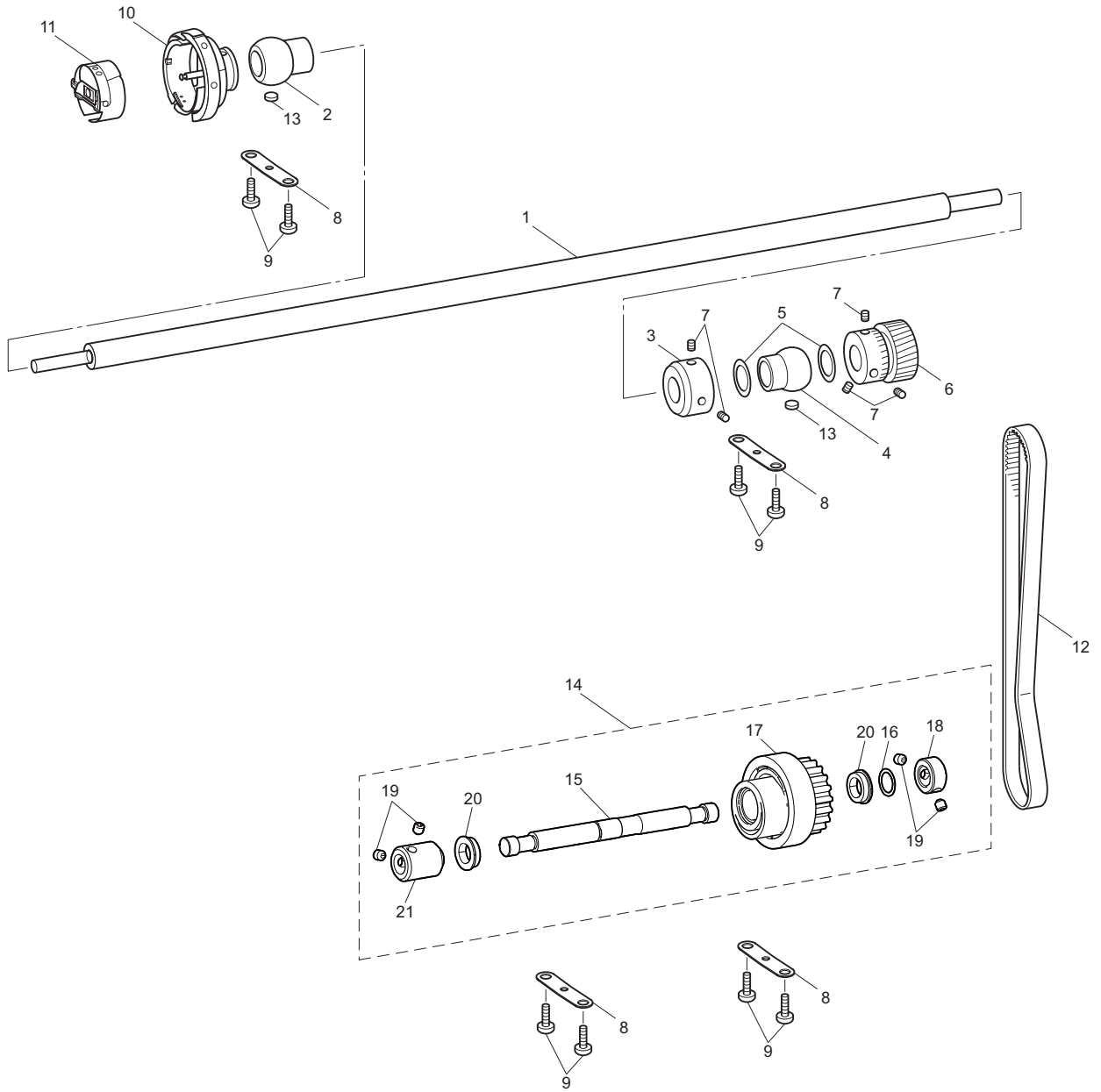
(8) XYCARRIAGE MECHANISM

No.	CODE	NAME	R/H	REMARKS
88	XC7077051	SCREW 3X10		
89	XE7374001	TUBULAR ROUND ARMA SUPPLY ASSY		
90	XE7399001	TUBLAR ROUND ARM RA SET		
91	XC7076151	SPRING, PLATE		
92	XC7644051	SCREW, PAM (S/P WASHER) M3X5		
93	XE7137001	TUBLAR ROUND ARM L SET		
94	XE7375001	SEAL		
95	XE7140001	GUIDE PLATE ASSY		
96	XE7143101	SPRING PLATE		
97	XE7145001	HOOP STAY A		
98	048030343	RETAINING RING, E3		
99	XC5816051	RUBBER		
100	0A5400806	SCREW, PAN (S/P WASHER) M4X8		
101	XE7146001	TUBULAR ARM COVER L2		
102	XC5553051	THUMB BOLT M4 L		
103	XE7174001	TUBULAR ARM COVER R2		
104	136681051	TAPTITE, BIND B M3X8		
105	XE7414001	SEAL A		
106	XG6925001	POWER PCB SUPPLY ASSY	R/H	
107	XG5192001	LEAD WIRE ASSY MD-MOTOR		
108	XG5390001	LEAD WIRE ASSY PW-MAIN		
109	XG5389001	LEAD WIRE ASSY PW-MD		
110	XC6209051	LEAD WIRE ASSY:POWER (USA, CAN)		
	XE8327001	LEAD WIRE ASSY:POWER 200 (OTHER)		
111	XE8197001	SPIRAL TUBE		
112	XE7406001	POWER UNIT CODE GUIDE		
113	0A5400806	SCREW PAN (S/P WASHER) M4X8		
114	XC5810151	Y MOTOR STAY		
115	0A4300806	SCREW PAN (S/P WASHER) M3X8		
116	XG1618001	Y MOTOR ASSY	H	
117	018300532	BOLT SOCKET M3X5		
118	XE7433001	BELT SUPPORT L		
119	XE7434001	BELT SUPPORT R		
120	X53169050	BAND		
121	XG5309001	OIL PAN		
122	XG5191001	LEAD WIRE ASSY MD-MAIN		
123	XE7369001	POWER UNIT STAY		
124	0A5401206	SCREW PAN (S/P WASHER) M4X12		

(8) XYCARRIAGE MECHANISM

Blank page

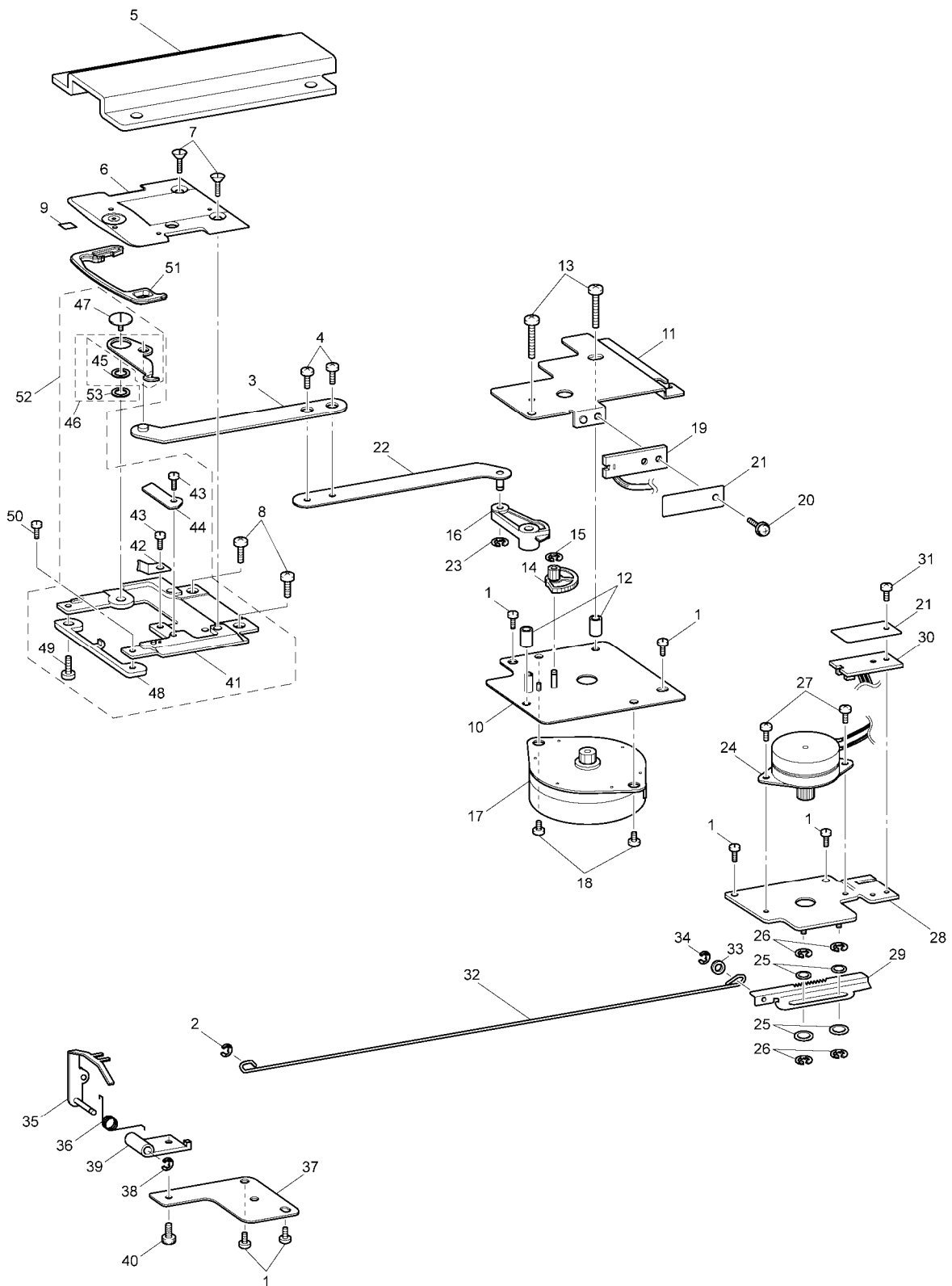
(9) LOWER SHAFT MECHANISM



(9) LOWER SHAFT MECHANISM

No.	CODE	NAME	R/H	REMARKS
1	XG5327001	LOWER SHAFT		1000056691
2	XC5845051	LOWER SHAFT METAL, R		1000056691
3	XA0840051	COLLAR		
4	XC5845051	LOWER SHAFT METAL, R		
5	XA0835050	WASHER. THURST 7.24		
6	XA0841051	LOWER SHAFT GEAR		
7	014060632	SET SCREW, SOCKET (CP) M6X6		
8	X57943051	BUSHING PRESSER		
9	X57908052	TAPTITE, BIND S M4X10		
10	XC6924001	ROTARY HOOK, DB1-ATR (1QB)	H	
11	XC7206001	BOBBIN CASE ASSY	H	
12	XC5846051	T BELT-S5M-525		
13	XC3183051	FELT		
14	XE7034301	IDLE PULLEY ASSY	H	
15	XC5847051	IDLE PULLEY SHAFT		
16	X51383050	WASHER, THRUST		
17	XE7033001	IDLE PULLEY		
18	137768151	SET SCREW COLLAR		
19	014400432	SET SCREW SOCKET (CP) M4X4		
20	XF2011001	BALL BEARING		
21	XG4481001	SLEEVE OF PROTECT		

(10) THREAD CUTTING MECHANISM

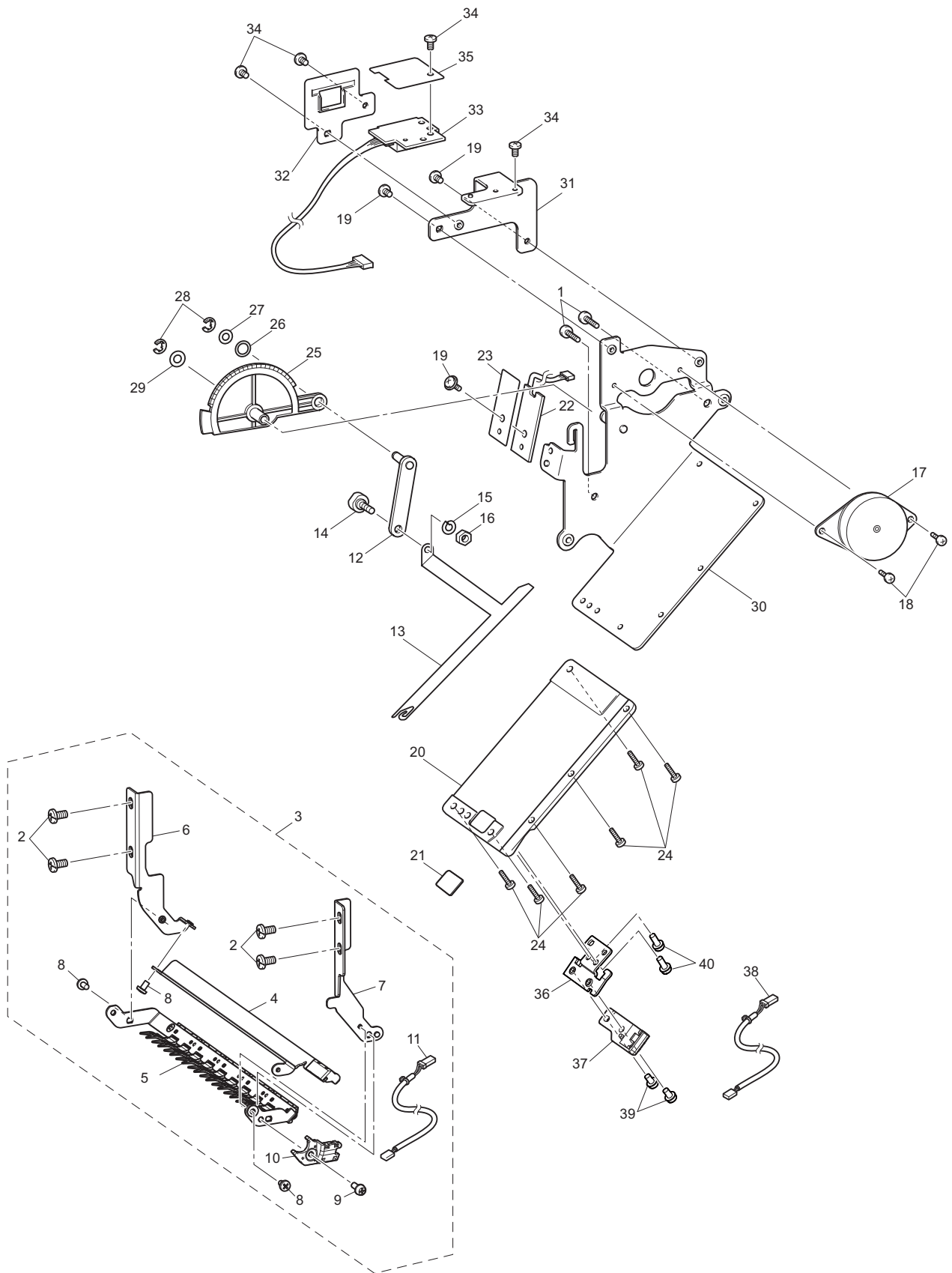


(10) THREAD CUTTING MECHANISM

No.	CODE	NAME	R/H	REMARKS	No.	CODE	NAME	R/H	REMARKS
1	060400616	SCREW, BIND M4X6			43	XC5881051	SCREW		
2	048020343	RETAINING RING, E2			44	XC5882051	FIXED KNIFE *	H	
3	XC5871151	CUTTER LINK ASSY			45	S32476001	COLLAR, M-KNIFE		
4	060300416	SCREW, BIND M3X4			46	XC6908151	MOVABLE KNIFE SUPPLY ASSY *	H	
5	XC5874051	BED COVER			47	S32475001	SCREW, M4		
6	XE1142001	NEEDLE PLATE	R		48	XC5879051	ROTARY HOOK STOPPER		
7	XC6404051	SCREW, FLAT M4			49	018300636	BOLT, SOCKET M3X6		
8	062400816	SCREW, PAN M4X8			50	XC5881051	SCREW		
9	XC5984051	FELT			51	XF1978001	SPACER		
10	XC5858151	CT MOTOR BRACKET ASSY			52	XE7460101	NEEDLE PLATE ASSY		1000055663
11	XC5863251	CUTTER BRACKET		1000055773	53	XE1845001	MOVABLE KNIFE SPACER		
12	XC5864051	COLLAR							
13	000401605	SCREW, BIND M4X16							
14	XC5865151	INITIAL GEAR		1000055773					
15	048020343	RETAINING RING, E2							
16	XC5866051	LEVER GEAR							
17	XC6184051	ASSY: TH CUTTER MOTOR							
18	060300416	SCREW, BIND M3X4							
19	XG4167001	TH CUTTER SENSOR PCB ASSY							
20	XC7564051	SCREW, PAN (S/P WASHER) M3X6							
21	XE7791101	INSULATION SHEET							
22	XC5868051	LEVER LINK ASSY							
23	048040343	RETAINING RING, E4							
24	XG5375001	PULSE MOTOR:P M35SP-9NK							
25	026030136	WASHER, PLAIN S 3							
26	048020343	RETAINING RING, E2							
27	060300416	SCREW, BIND M3X4							
28	XC5510151	PK MOTOR BRACKET ASSY							
29	XC5513151	RACK ASSY							
30	XG4170001	PICKER SENSOR PCB ASSY							
31	XC7564051	SCREW, PAN (S/P WASHER) M3X6							
32	XC5856051	PICKER LINK							
33	026030136	WASHER, PLAIN S 3							
34	048020343	RETAINING RING, E2							
35	XC5849151	PICKER ASSY							
36	XC5853051	PICKER SPRING	H						
37	XC5854051	PICKER BRACKET							
38	048020343	RETAINING RING, E2							
39	XC6634151	PICKER HOLDER							
40	018300532	BOLT, SOCKET M3X5							
41	XC5876151	NEEDLE PLATE BASE ASSY		1000056814					
42	XC6230051	THREAD HOLDING PLATE							

* Replacing the FIXED KNIFE(#44) and MOVABLE KNIFE SUPPLY ASSY(#46) simultaneously is recommended.

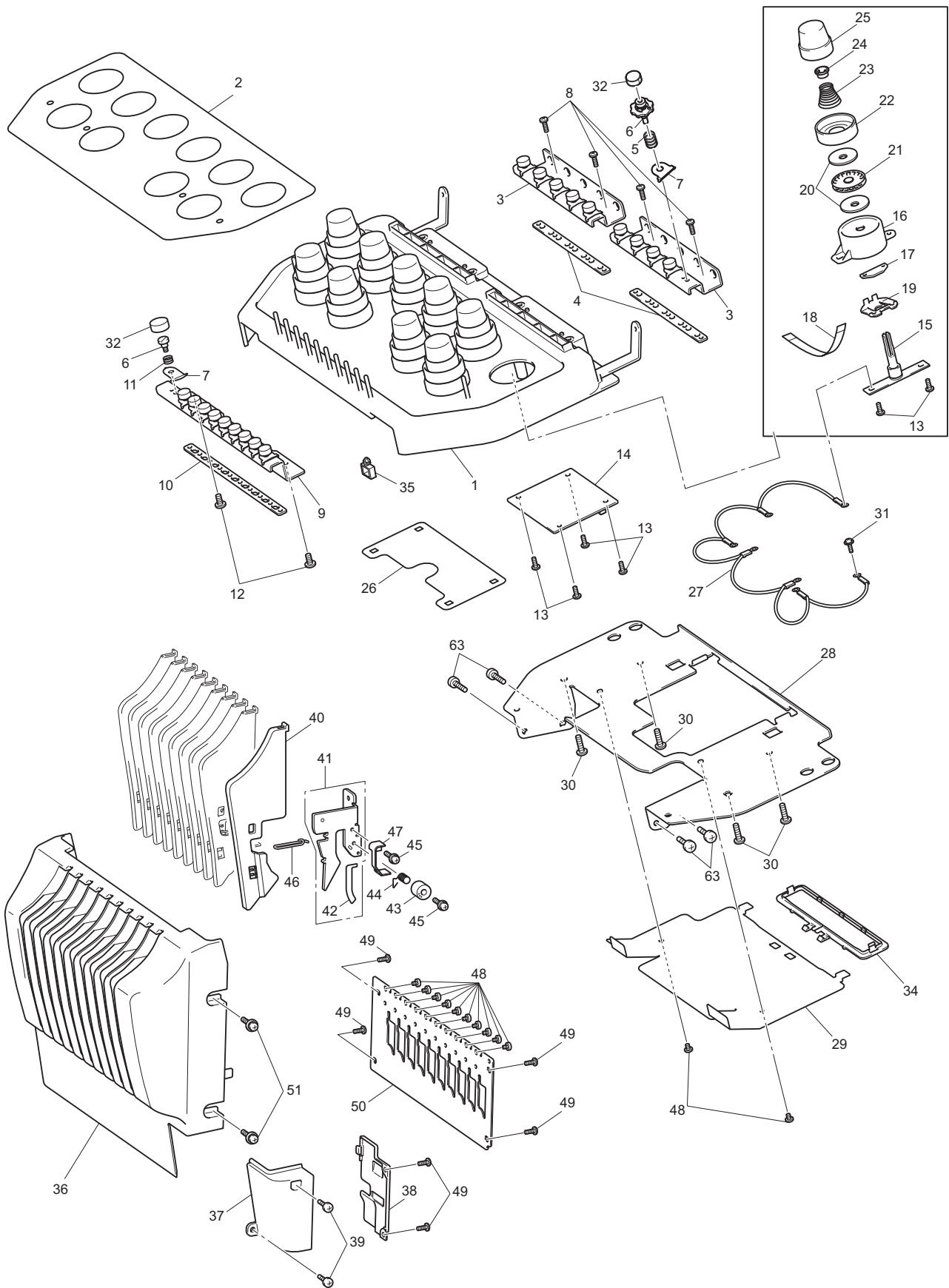
(11) WIPER MECHANISM



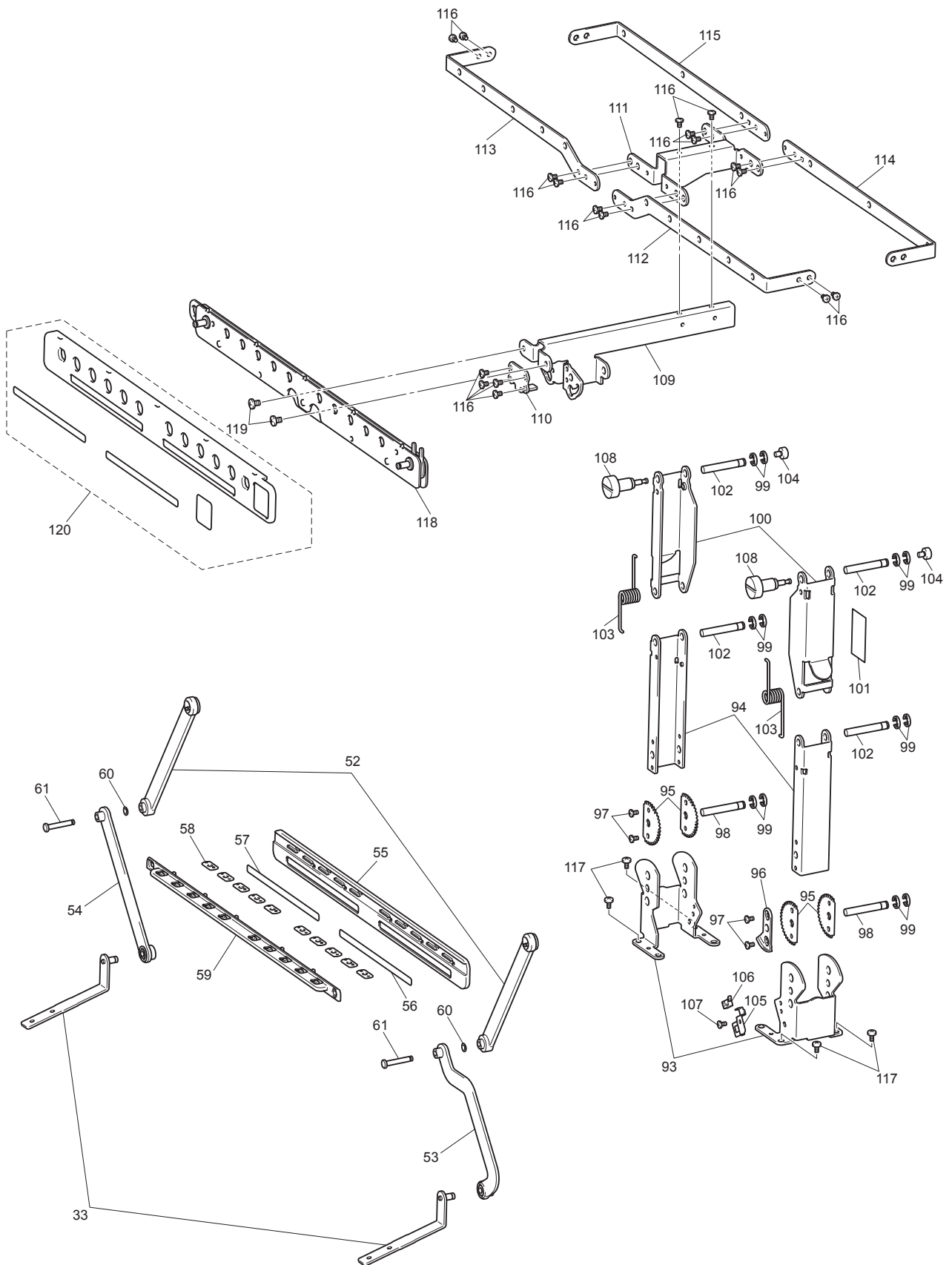
(11) WIPER MECHANISM

No.	CODE	NAME	R/H	REMARKS
1	X57908052	TAPTITE, BIND S M4X10		
2	060400616	SCREW, BIND M4X6		
3	XG5341001	THREAD PRESSER WP SET		
4	XF0099001	THREAD PRESSER BASE UP WP ASSY		
5	XF0699001	THREAD PRESSER BASE LOWER ASSY		
6	XF0799001	THREAD PRESSER BASE L WP		
7	XF0800001	THREAD PRESSER BASE R WP		
8	060300516	SCREW BIND M3X5		
9	0A4300806	SCREW PAN (S/P WASHER) M3X8		
10	XG7378001	LED MID SUPPLY ASSY		
11	XG5144001	LEAD WIRE ASSY LED CAMERA2		
12	XC5888051	WIPER LINK ASSY		
13	XC5891151	WIPER HOOK	H	
14	XC5892051	WIPER SHOULDER SCREW		
15	028040246	WASHER, SPRING 2-4		
16	021400305	NUT, 3 M4		
17	XG5376001	PULSE MOTOR:W M35SP-9NK		
18	062300416	SCREW, PAN M3X4		
19	XC7564051	SCREW, PAN (S/P WASHER) M3X6		
20	XC5893251	WIPER GUIDE		
21	XC5894051	WIPER CUSHION		
22	XG4168001	WIPER SENSOR PCB ASSY		
23	XE7791101	INSULATION SHEET		
24	062300616	SCREW, PAN M3X6		
25	XC5887151	WIPER LEVER		
26	X53838051	WASHER		
27	025050236	WASHER, PLAIN M 5		
28	048040343	RETAINING RING, E4		
29	025060235	WASHER, PLAIN M 6		
30	XE8127101	WIPER BASE ASSY		
31	XE8108101	EX CONNECTOR HOLDER U		
32	XE8109001	EX CONNECTOR COVER U		
33	XE8087001	EXTENSION IF PCB ASSY:PR U		
34	060300516	SCREW BIND M3X5		
35	XG5299001	INSULATION SHEET		
36	XG5336001	LED HOLDER BEHIND		
37	XG7379001	LED BEHIND SUPPLY ASSY		
38	XG4586001	LEAD WIRE ASSY LED CAMERA1		
39	0A4300606	SCREW PAN (S/P WASHER) M3X6		
40	0A4300806	SCREW PAN (S/P WASHER) M3X8		

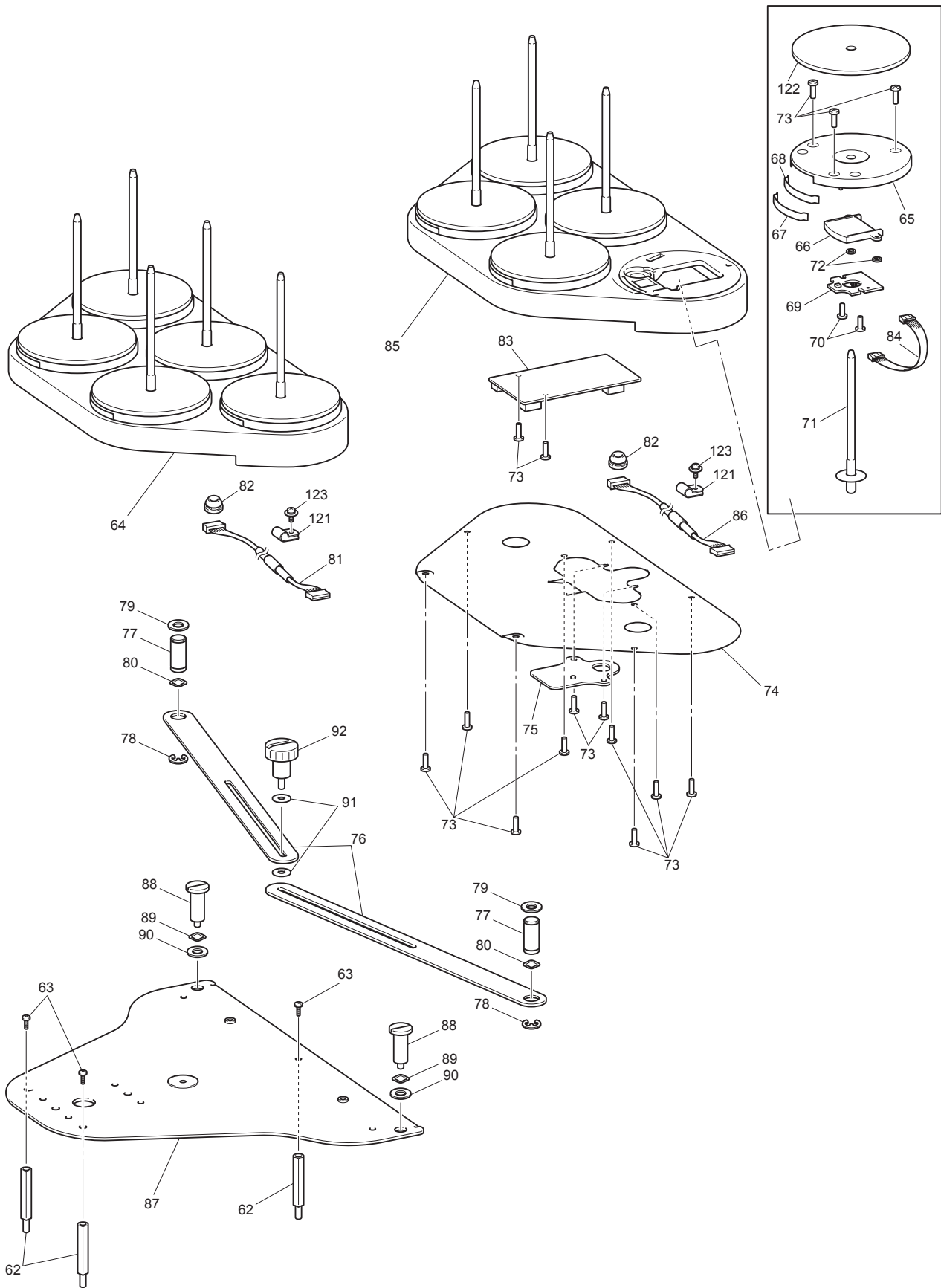
(12) UPPER THREADING MECHANISM



(12) UPPER THREADING MECHANISM



(12) UPPER THREADING MECHANISM



(12) UPPER THREADING MECHANISM

No.	CODE	NAME	R/H	REMARKS	No.	CODE	NAME	R/H	REMARKS
1	XE8110001	TENSION BASE			45	0A4300606	SCREW, PAN (S/P WASHER) M3X6		
2	XG5344001	TENSION BASE SHEET			46	XC5929051	THREAD GUIDE WIRE	H	
3	XE8020001	UPPER THREAD EYELET BASE			47	XC6234051	THREAD GUARD		
4	XE8021001	U THREAD EYELET BASE PLATE			48	060300416	SCREW, BIND M3X4		
5	XG1127001	THREAD GUIDE COMPRESSION			49	085311016	TAPTITE BIND B M3X10		
6	XG1128001	THREAD GUIDE TENSION SCREW			50	XE7883001	THREAD GUIDE BACK COVER		
7	XC5907051	THREAD GUIDE TENSION PLATE			51	0A5401006	SCREW PAN (S/P WASHER) M4X10		
8	X59629051	TAPTITE,BIND B M3X10			52	XE8027101	THREAD LENGTH KEEP LINK U		
9	XE8112001	INNER THREAD EYELET BASE			53	XE8028001	THREAD LENGTH KEEP LINK L R		
10	XE8113001	I THREAD EYELET BASE PLATE			54	XE8029001	THREAD LENGTH KEEP LINK L L		
11	XZ0198051	BOBBIN WINDER COMPRESSION			55	XE8030001	THREAD LENGTH GUIDE SUPPORT		
12	085410816	TAPTITE, BIND B M4X8			56	XE8031001	T NUMBER INDICATION SEAL A		
13	X59629051	TAPTITE, BIND B M3X10			57	XE8032001	T NUMBER INDICATION SEAL B		
14	XE7949001	HEAD PCB ASSY			58	XE8033001	THREAD LENGTH GUIDE		
15	XC5911151	THREAD TENSION BRACKET			59	XE8034001	THREAD LENGTH GUIDE COVER		
16	XC5914153	THREAD QUANTITY SENSOR COVER			60	117851051	WASHER,SPRING		
17	XC6167051	ASSY: TH SENSOR			61	XE8035101	THREAD LENGTH GUIDE SHAFT		
18	XE7943001	FLEXIBLE FLAT CABLE:SML2CD-H			62	XE8036001	STUD		
19	XE8022001	THREAD QUANTITY SENSOR PRESSER			63	060400816	SCREW, BIND M4X8		
20	S36299001	TENSION DISC FELT	H		64	XE8400101	SPOOL STAND LED L		
21	XC7602000	ROTARY DISC ASSY B			65	XE9975001	SPOOL LED BASE ENHANCE		
22	XC5915052	TENSION DISC PRESSER			66	XE7892001	SPOOL LED LIGHT GUIDE		
23	XC6232051	TENSION SPRING	H		67	XE9976001	SPOOL LED DARK SHEET		
24	S30564000	WASHER			68	XF0071001	SPOOL STAND DIFFUSION SHEET		
25	XE8114002	TENSION NUT			69	XE9814001	SPOOLSTAND LED PCB ASSY		
26	XE8115001	TENSION BASE SLIDER SHEET			70	136681051	TAPTITE, BIND B M3X8		
27	XE8226001	LEAD WIRE ASSY: HEAD EARTH			71	XC5949051	SPOOL PIN		
28	XE8117001	TENSION BASE BRACKET			72	138334051	RETAINING RING,CS2		
29	XE8120001	BRACKET COVER			73	085311016	TAPTITE BIND B M3X10		
30	085411416	TAPTITE, BIND B M4X14			74	XE7888001	SPOOL STAND BACK LID		
31	XC7564051	SCREW, PAN (S/P WASHER) M3X6			75	XE7889001	SPOOL STAND LID HATCH		
32	XC5919053	TENSION AXIS CAP			76	XE8039001	SPOOL STAND LINK		
33	XE8023001	THREAD LENGTH KEEP SUPPORT ASSY			77	XC5939051	SPOOL STAND STUD		
34	XE8121001	HEAD WIRE GUIDE			78	048080343	RETAINING RING E8		
35	XG5583001	CORD CRAMP:RMS-1V0			79	XA9677051	WASHER		
36	XG5352001	TAKEUP LEVER COVER ASSY	R		80	XC5945051	SPRING WASHER		
37	XG5296001	CMR HOOD			81	XE8199001	LEAD WIRE ASSY:SPOOL-MAINL		
38	XG5297001	CMR BACK HOOD			82	XC7233051	CORD BUSHING 5P-4		
39	060300616	SCREW BIND M3X6			83	XE9818001	SPOOLSTAND PCB ASSY		
40	XC6001052	THREAD GUIDE COVER			84	XE9911001	LEAD WIRE ASSY:SPOOLSTAND LED		
41	XC5921151	THREAD TAKE-UP BRACKET ASSY			85	XE8399101	SPOOL STAND LED R		
42	XC5925051	SPRING TAPE			86	XE8201001	LEAD WIRE ASSY:SPOOL-MAINR		
43	XC6463051	THREAD CATCHING SPRING CASE			87	XE8038001	SPOOL STAND BASE		
44	XC5926051	THREAD TAKE-UP SPRING	R/H		88	XC5943051	STUD SCREW		

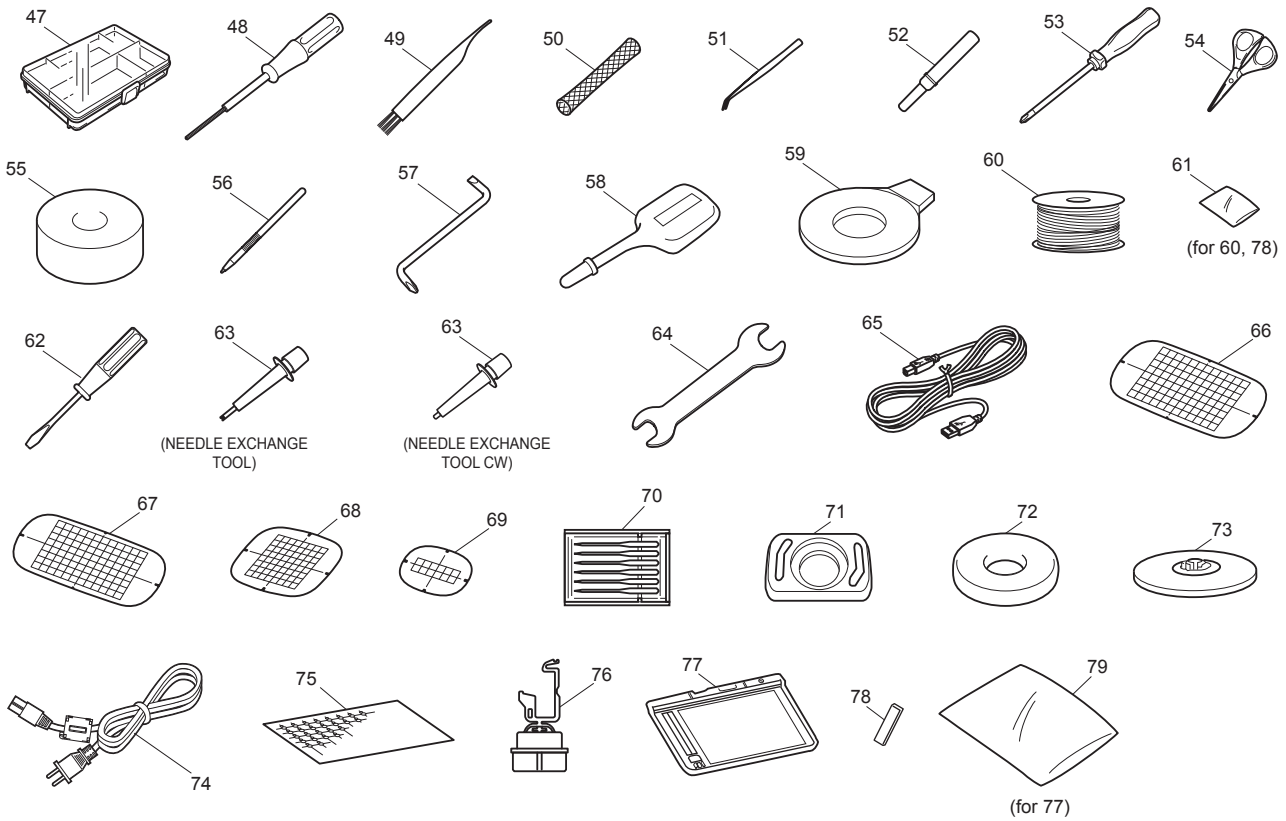
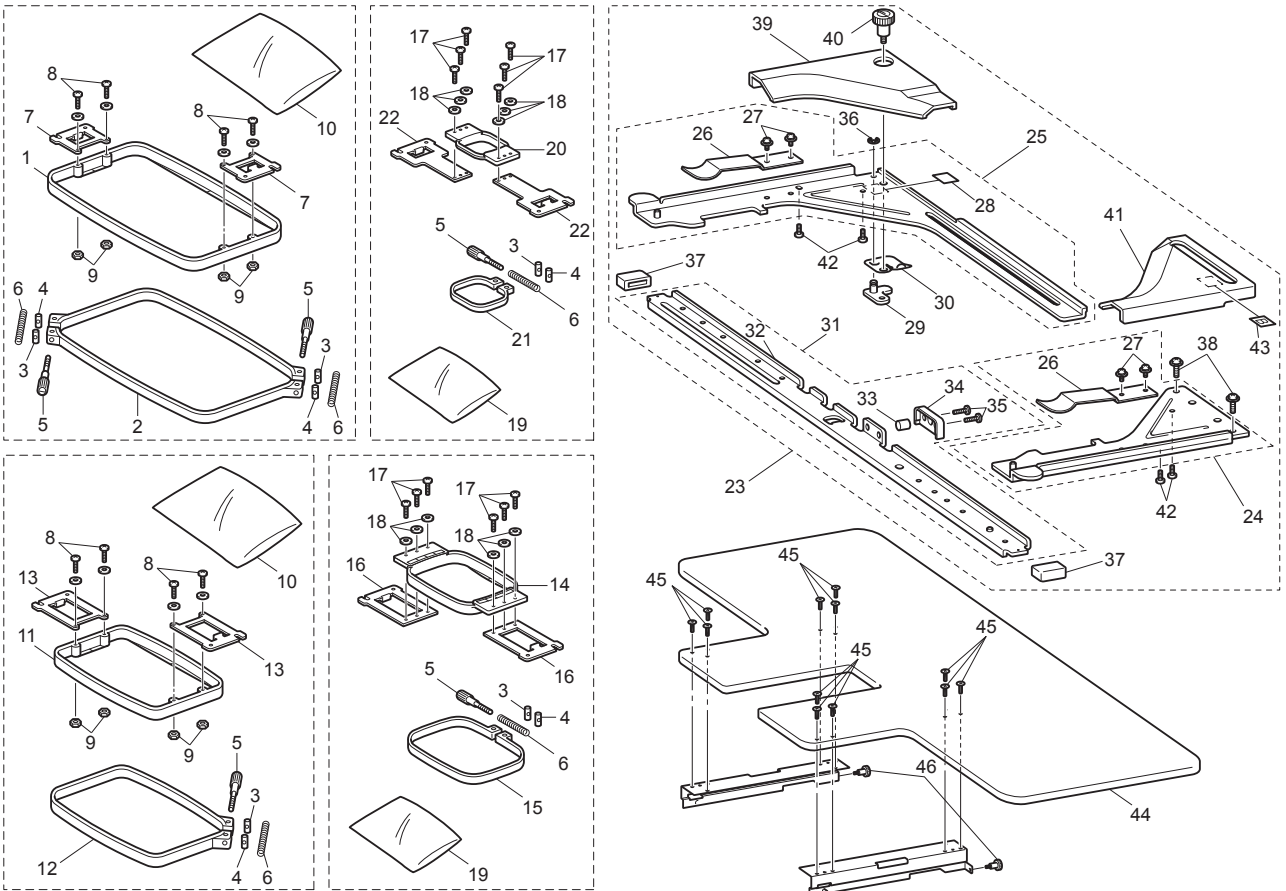
(12) UPPER THREADING MECHANISM

No.	CODE	NAME	R/H	REMARKS
89	XC5945051	SPRING WASHER		
90	XA9677051	WASHER		
91	XC5948051	SPACER		
92	XC5553051	THUMB BOLT M4 L		
93	XE8040001	ANTENNA BASE		
94	XE8041001	ANTENNA BRACE D		
95	XE8042001	ANTENNA BRACE D GEAR		
96	XE8043001	ANTENNA SWICH CONTACT		
97	060300616	SCREW BIND M3X6		
98	XE8044001	ANTENNA BASE SHAFT		
99	048050343	RETAINING RING E5		
100	XE8045001	ANTENNA BRACE		
101	XE8046001	ANTENNA BRACE SEAL		
102	XE8047001	ANTENNA BRACE SHAFT		
103	XE8048001	ANTENNA BRACE SPRING		
104	XE8051001	SCREW M4		
105	XE8053001	ANTENNA SWITCH HOLDER		
106	XE8203001	ANTENNA SWITCH ASSY		
107	060300516	SCREW BIND M3X5		
108	XE8052001	THUMB BOLT M4		
109	XE8049001	ANTENNA SUPPORT PLATE		
110	XE8050001	ANTENNA SUPPORT PLATE B		
111	XE8054001	ANTENNA A		
112	XE8055001	ANTENNA B R		
113	XE8056001	ANTENNA B L		
114	XE8057001	ANTENNA C R		
115	XE8058001	ANTENNA C L		
116	060300516	SCREW BIND M3X5		
117	060401016	SCREW BIND M4X10		
118	XE8059001	THREAD BRAKE PLATE ASSY		
119	060400616	SCREW BIND M4X6		
120	XE8969001	T B PLATE C COVER ASSY		
121	XE8920001	CORD CLAMP:WL-1/4		
122	XE7893001	SPOOL SPONGE		
123	0A5400806	SCREW PAN (S/P WASHER) M4X8		

(12) UPPER THREADING MECHANISM

Blank page

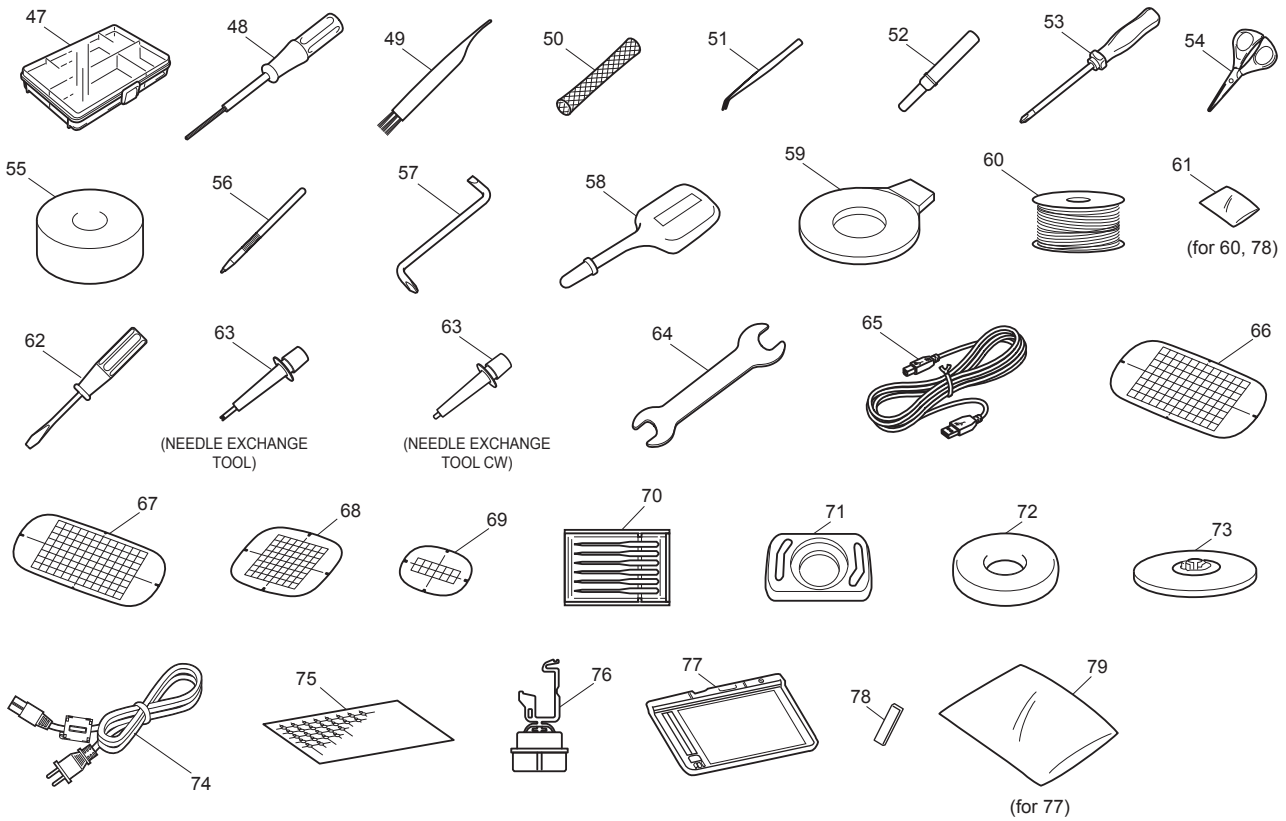
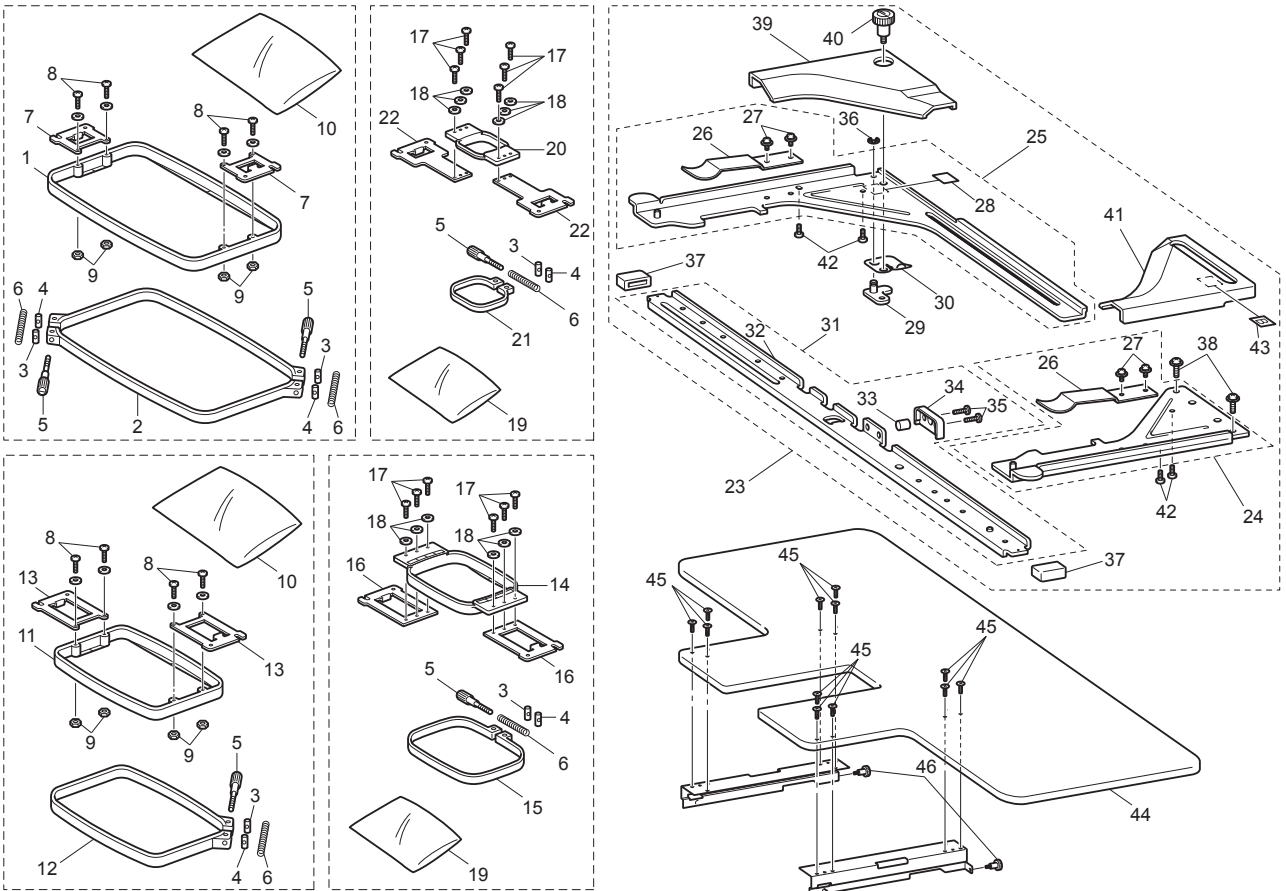
(13) ACCESSORY PARTS



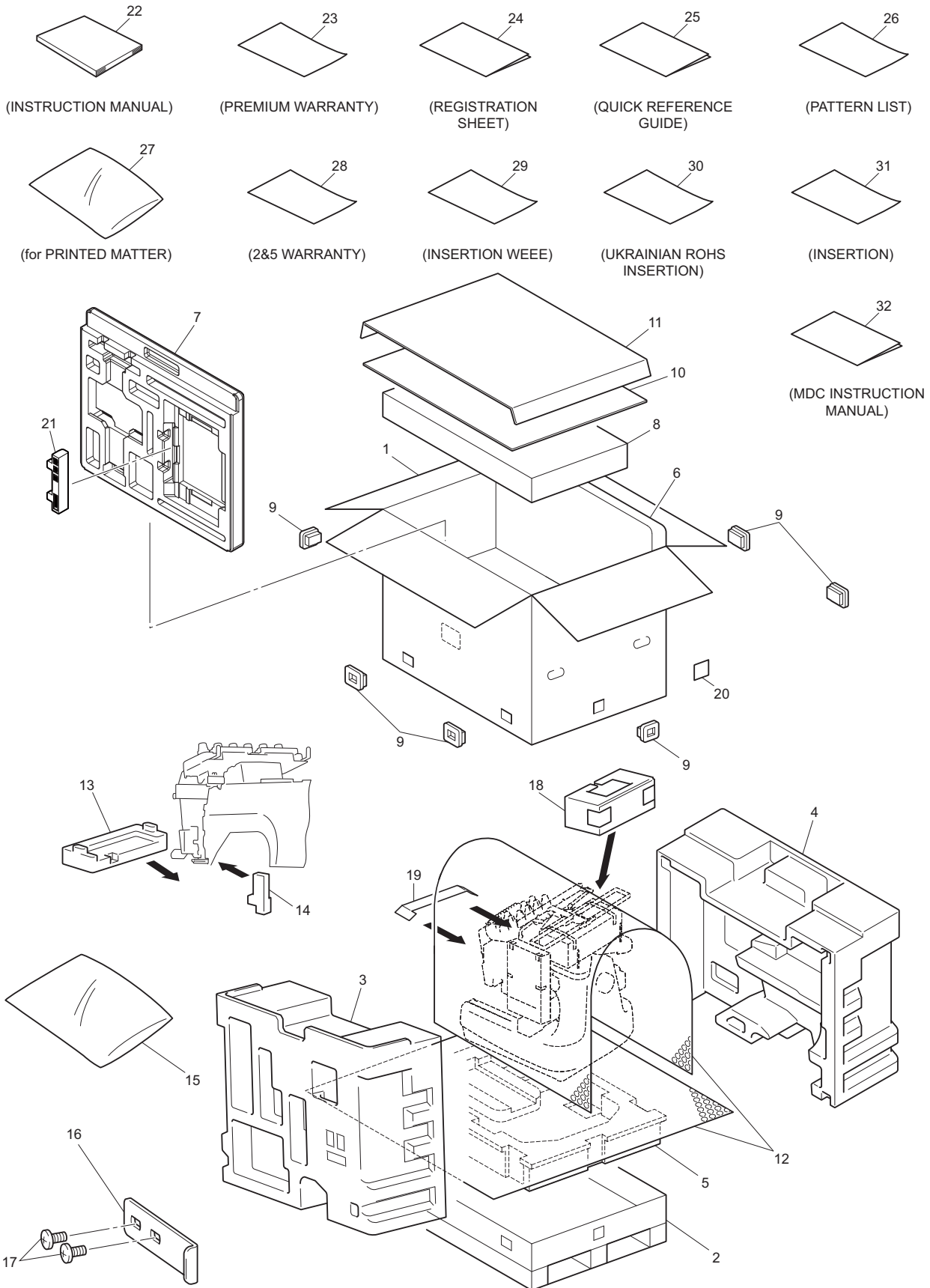
(13) ACCESSORY PARTS

No.	CODE	NAME	R/H	REMARKS	No.	CODE	NAME	R/H	REMARKS
1	XE7156001	TUBULAR FRAME 36X20 INNER			45	004401416	SCREW FLAT M4X14		
2	XE7157001	TUBULAR FRAME 36X20 OUTER			46	XC5553051	THUMB BOLT M4 L		
3	S32798001	COLLAR			47	XC6482051	ACCESSORY CASE		
4	S32799001	NUT, M4			48	XC5159051	HEXAGONAL DRIVER, 1.5		
5	XC5957051	SCREW, M4			49	X59476051	CLEANING BRUSH		
6	S36043000	SPRING, COMPRESSION 5.3X47.7			50	S34455000	NET, 160L		
7	XC5958051	HOLDER 30X20			51	XC6542051	PINCETTE		
8	062401416	SCREW, PAN M4X14			52	XF4967001	RIPPER ASSY		
9	021400206	NUT, 2 M4			53	XC6543051	SCREW DRIVER, 2X100		
10	X60224051	BAG 350X700H			54	XF2052001	SCISSORS		
11	XC5960051	TUBULAR FRAME 18X13 INNER			55	XC5974151	BOBBIN TENSION GAUGE		
12	XC5961051	TUBULAR FRAME 18X13 OUTER			56	XA9940051	TOUCH PEN		
13	XC5963051	HOLDER 18X13			57	XC6545051	Z-TYPE SCREW-DRIVER, +-		
14	XC5965051	TUBULAR FRAME 10X10 INNER			58	XZ0206051	OILER B ASSY		
15	XC5966051	TUBULAR FRAME 10X10 OUTER			59	XC1074051	DISC-SHAPED SCREWDRIVER		
16	XC5968051	HOLDER 10X10			60	XC6368051	BOBBIN		
17	060300516	SCREW, BIND M3X5			61	X60838051	BAG, 70X110C		
18	025030236	WASHER, PLAIN M 3			62	X55468051	SCREW DRIVER S		
19	XZ0197051	BAG 180X470			63	XE8362001	NEEDLE EXCHANGE TOOL		
20	XC5970051	TUBULAR FRAME 06X04 INNER				XF0793001	NEEDLE EXCHANGE TOOL CW		
21	XC5971051	TUBULAR FRAME 06X04 OUTER			64	XC6159051	WRENCH 13X10		
22	XC5973051	HOLDER 06X04			65	XD1851051	USB I/F CORE CABLE 3M		
23	XE7376001	TUBULAR ROUND ARMB SUPPLY ASSY			66	XE7158101	EMBROIDERY SHEET 36X20 ASSY		
24	XE7364001	TUBLAR ROUND ARM RB SET			67	XC5721051	EMBROIDERY SHEET 18X13 ASSY		
25	XE7177001	TUBLAR ROUND ARM LB SET			68	XC5759051	EMBROIDERY SHEET 10X10 ASSY		
26	XC7076151	SPRING,PLATE			69	XC5761051	EMBROIDERY SHEET 06X04 ASSY		
27	XC7644051	SCREW, PAM (S/P WASHER) M3X5			70	XC6469001	NEEDLE ASSEMBLY		
28	XE7375001	SEAL			71	XC6499151	NEEDLE PLATE COVER		
29	XE7140001	GUIDE PLATE ASSY			72	XC7134051	SPOOL FELT		
30	XE7143101	SPRING PLATE			73	130012054	SPOOL PRESSER A		
31	XE7180001	HOOP STAY B ASSY			74	XE7256001	POWER SUPPLY CORD: CSA-CORE (USA, CAN)		
32	XE7181001	HOOP STAY B				XE7258001	POWER SUPPLY CORD:BS-CORE (UK&IRE, MYS, SGP, HKG)		
33	XE2270001	MAGNET				XE7260001	POWER SUPPLY CORD:SAA-LF CORE (AUS&NZL)		
34	XE2271001	MAGNET HOLDER				XE7262001	POWER SUPPLY CORD:CHN-CORE (CHN)		
35	060300613	SCREW BIND M3X6				XD0225051	POWER SUPPLY CORD:TWN (TWN)		
36	048030343	RETAINING RING E3				XF0757001	POWER SUPPLY CORD:KOR-CORE (KOR)		
37	XC5816051	RUBBER				XG5349001	POWER SUPPLY CORD:BRZ-CORE (BRA)		
38	0A5400806	SCREW PAN (S/P WASHER) M4X8				XE7261001	POWER SUPPLY CORD:IRAM-CORE (ARG)		
39	XE7146002	TUBULAR ARM COVER L2				XE7257001	POWER SUPPLY CORD:CEE-CORE (OTHER)		
40	XC5553051	THUMB BOLT M4 L			75	XE4912501	STICKER		
41	XE7174002	TUBULAR ARM COVER R2							
42	136681051	TAPTITE, BIND B M3X8							
43	XE7415001	SEAL B							
44	XE7197001	WIDE TABLE TOP							

(13) ACCESSORY PARTS



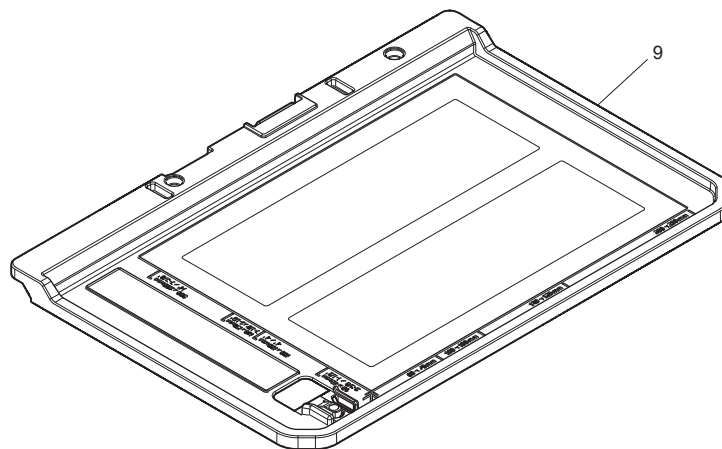
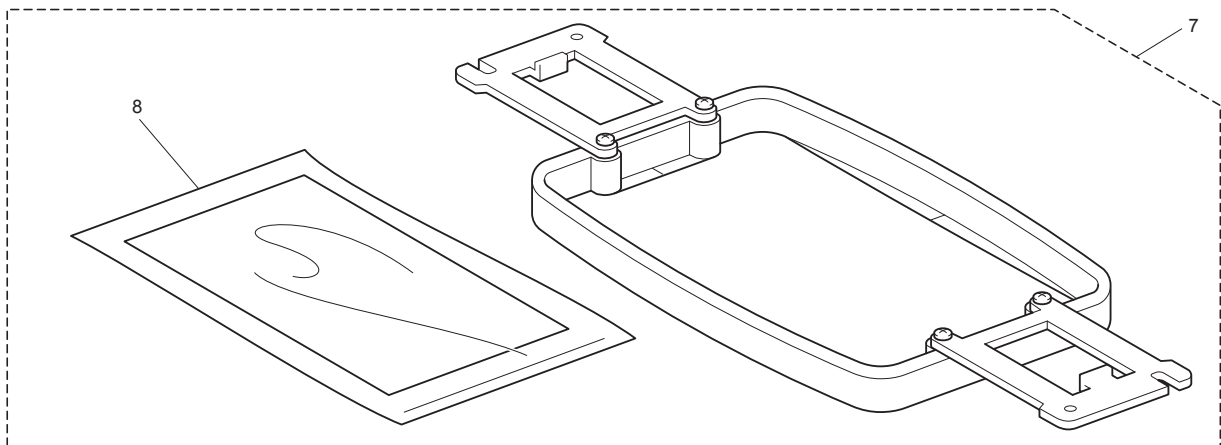
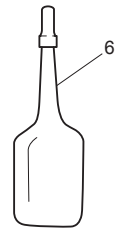
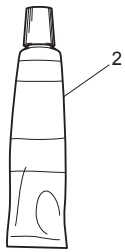
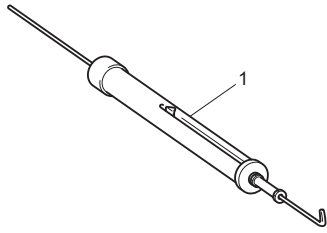
(14) PACKAGE / USER MANUAL



(14) PACKAGE / USER MANUAL

No.	CODE	NAME	R/H	REMARKS	No.	CODE	NAME	R/H	REMARKS
PACKAGE						XG5988001	QUICK REFERENCE GUIDE ASIA (MYS, VNM, IND, CHN, HKG, TWN, KOR)		
1	XG5343001	CARTON TOP:MODEL PR1050X	R		26	XG5991001	PATTERN LIST US/EU		
2	XE7470201	CARTON BOTTOM ASSY	R			XG5993001	PATTERN LIST NEU/EEU		
3	XE8141201	POLYSTYRENE FOAM PAD R	R			XG5994001	PATTERN LIST ASIA		
4	XE8142201	POLYSTYRENE FOAM PAD L			27	XA0188050	BAG 260X375HC		
5	XC5797350	POLYSTYRENE FOAM PAD BOTTOM	R		28	XF6323101	2&5 WARRANTY FOR US (USA)		
6	XE8143201	POLYSTYRENE FOAM PAD SIDE	R		29	XF0300101	INSERTION WEEE		
7	XG6037001	POLYSTYRENE FOAM PAD SIDE L	R		30	XE9897001	UKRAINIAN ROHS INSERTION (RUS)		
8	XE8144201	POLYSTYRENE FOAM PAD TOP	R		31	XG8128001	SCAN FRAME INSERTION		1000055790
9	XC5848051	JOINT			32	XG4367201	MDC INSTRUCTION MANUAL SPA (Spanish)		1000056663
10	XC5867050	PAD D	R			XG6045001	MDC INSTRUCTION MANUAL FRE (French)		1000056663
11	XC5932050	CARTON PAD D	R			XG7579101	MDC INSTRUCTION MANUAL POR (Portuguese)		1000056741
12	XC6459051	SHEET, 1400X2000							
13	XE8297101	POLYSTYRENE FOAM PAD FOOT	R						
14	XE8684101	HOOK SUPPORT SF	R						
15	X60224051	BAG, 350X700H							
16	XE7363001	N.BAR CASE FIX PLATE ASSY (USA)							
17	060400816	SCREW BIND M4X8							
18	XE8072001	ANTENNA PROTECT PAD	R						
19	XE7435001	X CARRIAGE PAD							
20	XG4430001	IBROIDERY STICKER PR (USA)							
	XG4208001	ADDRESS LABEL BR BITW (BRA)							
	XG4213001	WARRANTY LABEL BR 1YEAR (BRA)							
21	XG5219001	POLYSTYRENE FOAM PAD SIDE B (USA)							
USER MANUAL									
22	XG5965001	INSTRUCTION BOOK ENG (English)	R						
	XG5966001	INSTRUCTION BOOK SPA (Spanish)	R						
	XG5969001	INSTRUCTION BOOK GER (German)	R						
	XG5968001	INSTRUCTION BOOK FRE (French)	R						
	XG5970001	INSTRUCTION BOOK DUT (Dutch)	R						
	XG5971001	INSTRUCTION BOOK ITA (Italian)	R						
	XG5980001	INSTRUCTION BOOK NEU/EEU (Danish/Swedish/Czech/Hungarian/Polish/Romanian)	R						
	XG5972001	INSTRUCTION BOOK RUS (Russian)							
	XG5978001	INSTRUCTION BOOK ARB (Arabic)							
	XG5974001	INSTRUCTION BOOK SC (Chinese)							
	XG5975001	INSTRUCTION BOOK TC (HKG, TWN: Chinese)							
	XG5976001	INSTRUCTION BOOK KOR (Korean)							
XG5973001	INSTRUCTION BOOK BP (Portuguese)								
23	XF2705201	PREMIUM WARRANTY FOR US (USA)							
24	XE9639001	REGISTRATION SHEET (USA)							
25	XG5986001	QUICK REFERENCE GUIDE US/EU (OTHER)	R						
	XG5990001	QUICK REFERENCE GUIDE ARB (UAE)							

(15) SPARE PARTS / ADJUSTING PARTS



(15) SPARE PARTS / ADJUSTING PARTS

No.	CODE	NAME	R/H	REMARKS	No.	CODE	NAME	R/H	REMARKS
SPARE PARTS (GAUGE)					ADJUSTING PARTS				
1	XC2277001	PUSH PULL GAUGE			7	XE7915001	CALIBRATION JIG COMPLETE		
SPARE PARTS (GREASE, OIL)					8	XE7916001	N.P. DETECTION STICKER ASSY		
2	XC8385001	MOLYKOTE EM30L			9	XG5346001	SCAN JIG SUPPLY ASSY		
3	XC8387001	EPNOC AP(N) 0							
4	XC8386001	MOLYKOTE M DISPERSION * (EXCEPT USA)							
5	XC8388001	FBK OIL RO 100							
6	XZ0206051	OILER							

* USA must purchase in the US. (It's not listed on the TSCA).

brother