



Home Embroidery Machine

PARTS REFERENCE LIST

MODEL: PR670E

PR670EC

CONFIDENTIAL

©2017 Brother Industries, Ltd.
All rights reserved.

Published: Jan.,2017
Revised: Apr.,2018

MODEL LIST

Model	Countries (Added Date)
PR670E/PR670EC	USA, DEU&FRA&ITA&CHE&EEU&NEU (Apr / 2017)
PR670E/PR670EC	CAN, UK&IRE, ESP (May / 2017)
PR670E	RUS, SGP (Jul / 2017)
PR670EC	AUS&NZL (Jul / 2017)
PR670E	BRA (Aug / 2017)
PR670EC	BRA, CHL (Aug / 2017)
PR670E	ARG, KOR, MYS, CHN (Sep / 2017)
PR670EC	GUF, ARG, PRY, TWN (Sep / 2017)
PR670EC	TUR (Nov / 2017)

Country Code & Abbreviation of Country Name

Country Code	Abbr.	Country Name	Country Code	Abbr.	Country Name	Country Code	Abbr.	Country Name
USA/Canada			Europe			Asia/Oceania		
200	USA	America	401	ZAF	South Africa	601	KOR	Korea
251	CAN	Canada	402	EGY	Egypt	603	TWN	Taiwan
			411	MUS	Mauritius	604	HKG	Hong Kong
301	PER	Peru				605	VNM	Vietnam
302	ARG	Argentina	501	IRE	Ireland	606	IDN	Indonesia
303	CHL	Chile	502	DEU	Germany	607	PHL	Philippines
304	PRY	Paraguay	503	BEL	Belgium	608	MYS	Malaysia
305	URY	Uruguay	505	UK	United Kingdom	609	SGP	Singapore
306	BRA	Brazil	506	FRA	France	615	IND	India
307	VEN	Venezuela	507	NOR	Norway	616	THA	Thailand
308	MEX	Mexico	508	NLD	Netherlands	622	CHN	China
309	COL	Colombia	509	AUT	Austria			
310	PAN	Panama	510	GRC	Greece	701	AUS	Australia
318	GTM	Guatemala	511	SWE	Sweden	702	NZL	New Zealand
324	GUF	FR. Guiana	515	ESP	Spain			
330	BRB	Barbados	516	PRT	Portugal	902	ISR	Israel
399	-	Latin America 2&5	517	ITA	Italy	903	SYR	Syria
			519	FIN	Finland	904	TUR	Turkey
			520	CHE	Switzerland	905	JOR	Jordan
			521	DNK	Denmark	906	KWT	Kuwait
			524	MLT	Malta	908	SAU	Saudi Arabia
			550	EEU	East Europe	909	IRQ	Iraq
			556	RUS	Russia	910	IRN	Iran
			599	NEU	North Europe	911	CYP	Cyprus
						915	UAE	United Arab Emirates

Meaning of "R" and "H"

No.	CODE	NAME	R/H	REMARKS
1	XA9644050	T BELT	H	High mortality parts
2	XA8474051	UPSET 4X12 DB		
3	XA9652150	MOTOR FAN		
4	XC5764051	MOTOR HOLDER BASE		
5	X57908052	TAPTITE, BIND S M4X10		
6	XE8185001	MAIN MOTOR ASSY	R/H	Recommend spare parts & High mortality parts
7	XC6481051	MOTOR CAP		
8	XA9649050	FEEDER TUBE		
9	XC0443051	SPACER 4X7		
10	XA9650051	MOTOR SPACER PRESSER		
11	052401605	SCREW, PAN (S/P WASHER) M4X16		
12	XC5762051	MOTOR HOLDER		
13	XC5763051	MOTOR HOLDER SPACER		
14	XE1142001	NEEDLE PLATE	R	Recommend spare parts
15	XC6404051	SCREW, FLAT M4		

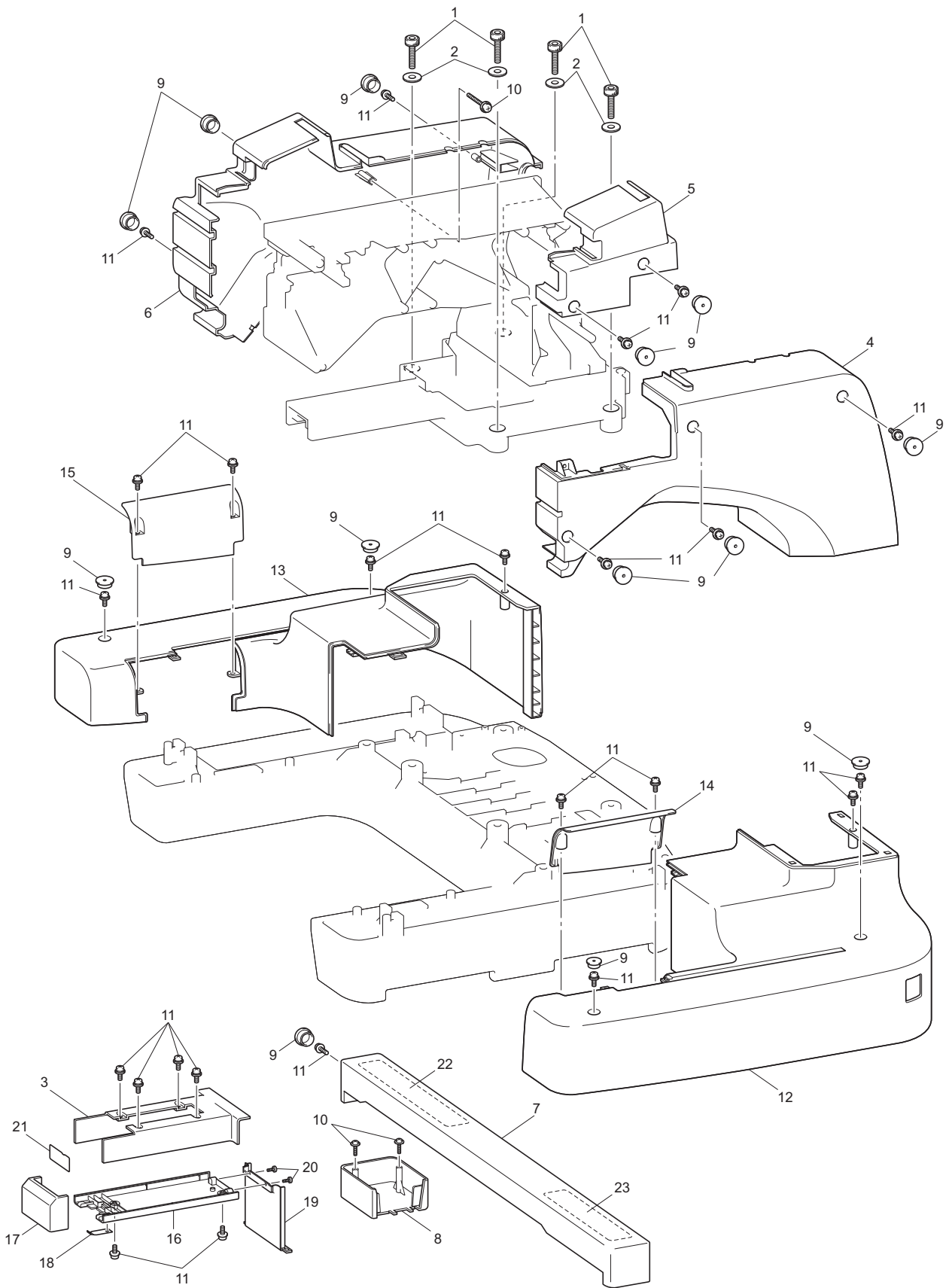
CONTENTS

(1) MAIN FRAME / COVER	2
(2) UPPER SHAFT MECHANISM.....	4
(3) NEEDLE BAR MECHANISM.....	6
(4) NEEDLE CHANGER UNIT	10
(5) NEEDLE THREADING MECHANISM	12
(6) ELECTRIC PARTS	14
(7) MAIN MOTOR UNIT	18
(8) XYCARRIAGE MECHANISM	20
(9) LOWER SHAFT MECHANISM.....	26
(10) THREAD CUTTING MECHANISM	28
(11) WIPER MECHANISM	30
(12) UPPER THREADING MECHANISM	32
(13) ACCESSORY PARTS	36
(14) PACKAGE / USER MANUAL.....	38
SPARE PARTS.....	40

Note on parts:

We keep performance parts for this sewing machine for at least 8 years after this model is discontinued. Performance parts are the necessary parts to maintain the function of the sewing machine.

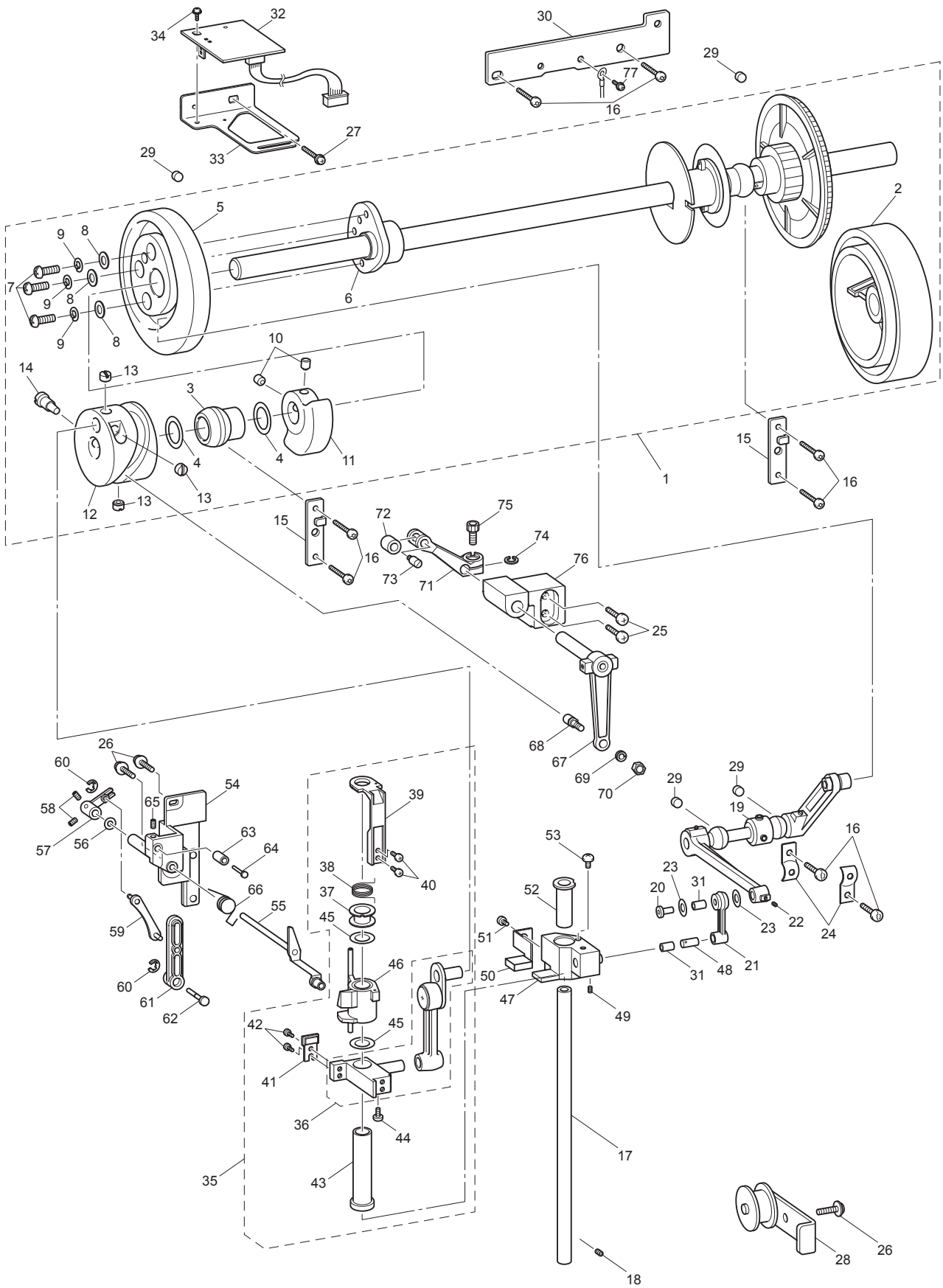
(1) MAIN FRAME / COVER



(1) MAIN FRAME / COVER

No.	CODE	NAME	R/H	REMARKS
1	018083536	BOLT, SOCKET M8X35		
2	025080236	WASHER, PLAIN M 8		
3	XE1807102	BED COVER TOP	R	
4	XC5589159	ARM COVER R	R	
5	XC5590252	ARM COVER R LID	R	
6	XC5591259	ARM COVER L	R	
7	XC5592152	CARRIAGE COVER	R	
8	XC5593052	MOTOR COVER	R	
9	XC5594052	SCREW COVER		
10	087411416	TAPTITE, CUP B M4X14		
11	0A5401006	SCREW, PAN (S/P WASHER) M4X10		
12	XC5647152	BASE COVER R ASSY	R	
13	XC5654152	BASE COVER L ASSY	R	
14	XC5659152	BASE COVER R LID ASSY	R	
15	XC5669152	BASE COVER L LID ASSY	R	
16	XC5587052	BED COVER BOTTOM	R	
17	XF7357001	HOOK COVER ASSY (USA, CAN)	R	
	XE1806102	ROTARY HOOK COVER (OTHER)	R	
18	X53638151	SPRING		
19	XC6066052	BED COVER LID	R	
20	X59629051	TAPTITE, BIND B M3X10		
21	XC6552051	OILING CAUTION LABEL		
22	XE8643101	LABEL INJURY 32X161		
23	XE8328101	LABEL INJURY 32X161		

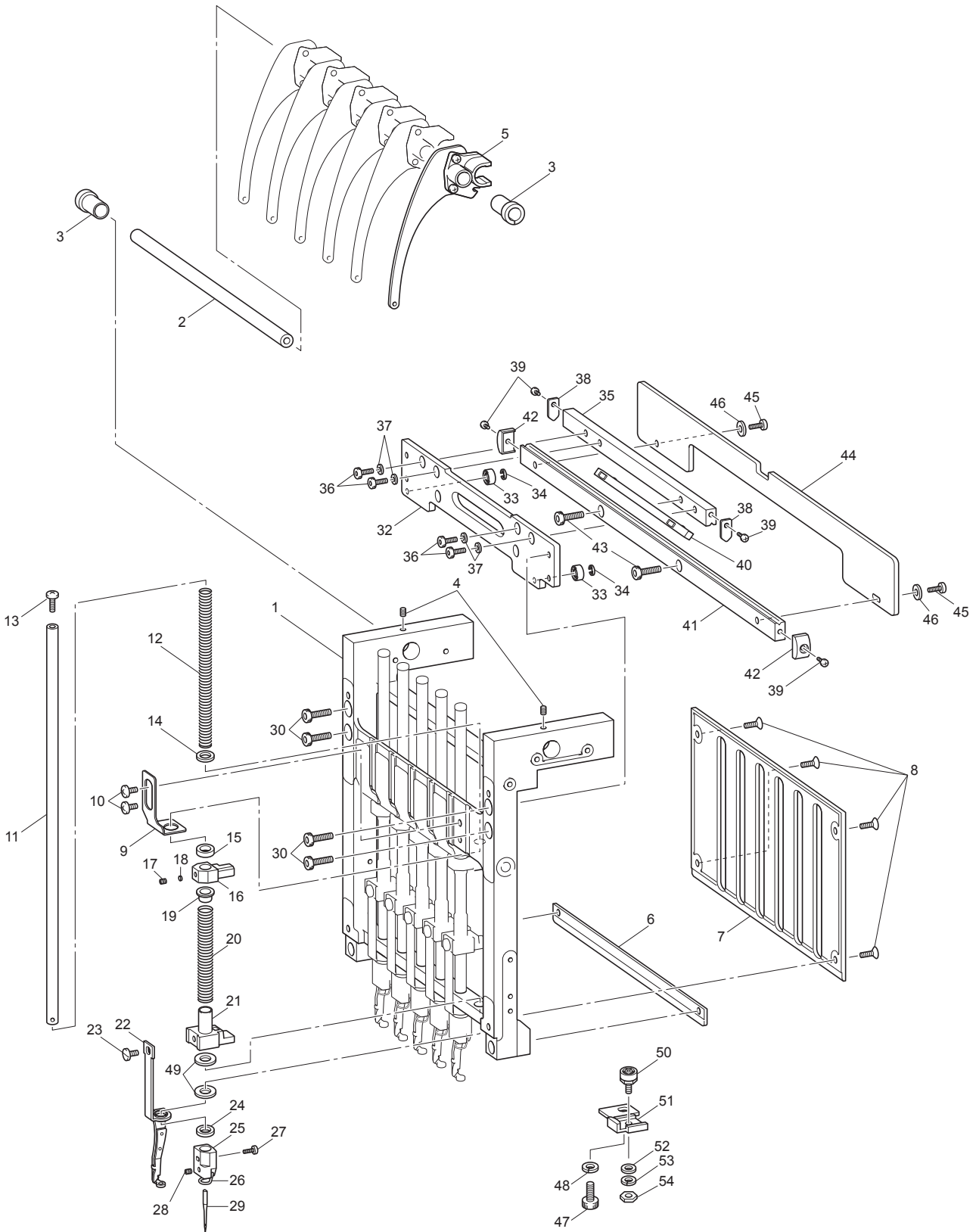
(2) UPPER SHAFT MECHANISM



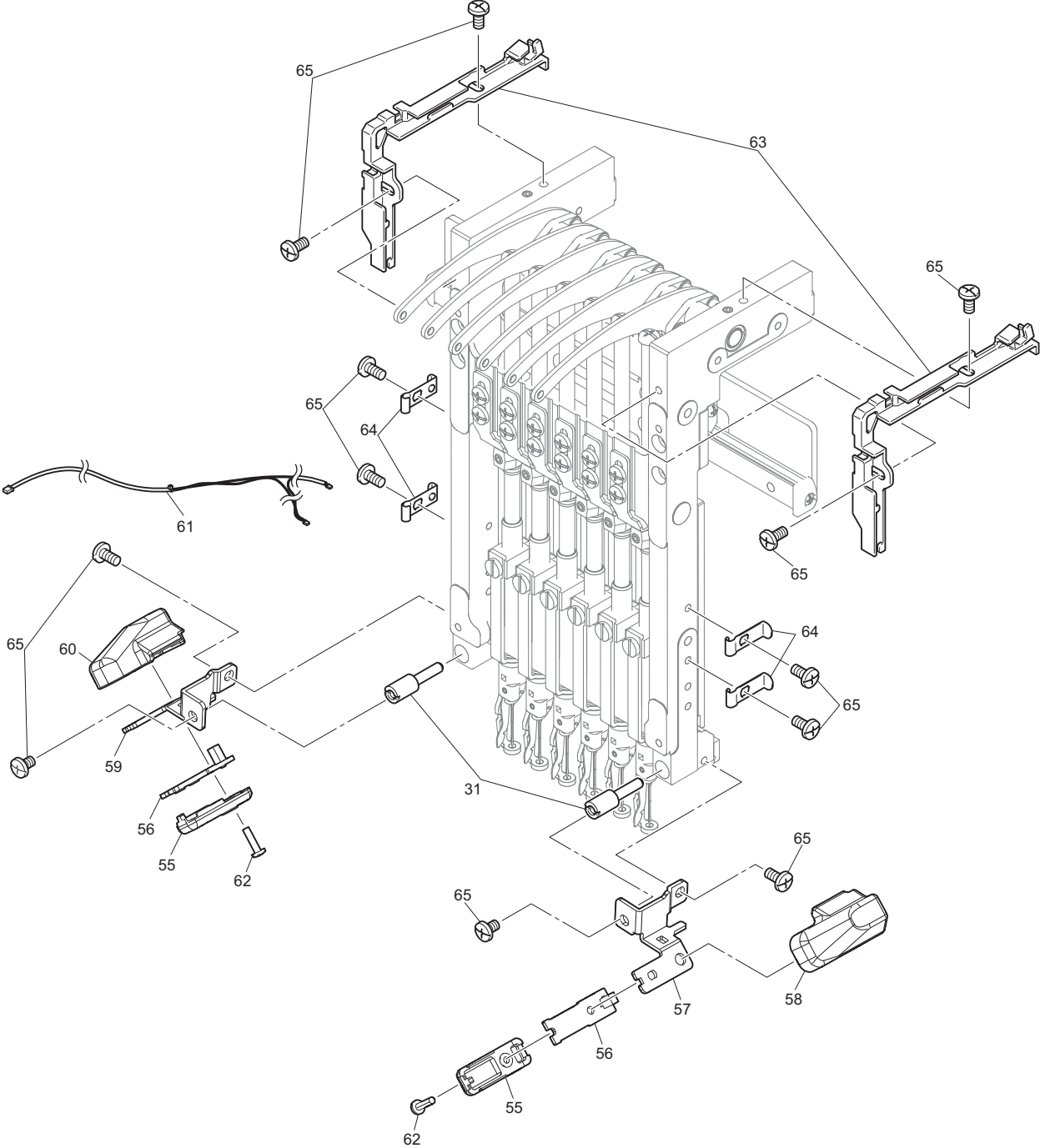
(2) UPPER SHAFT MECHANISM

No.	CODE	NAME	R/H	REMARKS	No.	CODE	NAME	R/H	REMARKS
1	XE3702302	UPPER SHAFT SUPPLY ASSY			45	131976050	WASHER, THRUST		
2	XC5597152	PULLEY			46	XE7550001	JUMP BRACKET		
3	XC5603051	UPPER SHAFT METAL			47	XC5635151	P-FOOT VERTICAL BASE		
4	X55548050	WASHER, TRUST			48	XC5636151	P-FOOT VERTICAL PIN		
5	XC5605251	PRESSER FOOT CAM			49	014400432	SET SCREW, SOCKET (CP) M4X4		
6	XC5606051	PRESSER FOOT CAM COLLAR			50	XC5638251	PRESSER FOOT CUSHION BASE	H	
7	062401213	SCREW PAN M4X12			51	060300516	SCREW, BIND M3X5		
8	025040133	WASHER, PLAIN S 4			52	XC5637051	P-FOOT VERTICAL BUSH		
9	028040343	WASHER SPRING 3-4			53	008260304	SCREW, TRUSS M2.6X3		
10	014500632	SET SCREW SOCKET (CP) M5X6			54	XC5648051	J BASE ASSY		
11	XC5607051	BALANCER			55	XC5651051	J DRIVING LEVER ASSY		
12	XC5609051	THREAD TAKE-UP CAM			56	X53027050	WASHER		
13	XE1211001	SET SCREW (CP) SM6.35			57	XC5656051	J DIFFERENTIAL LEVER		
14	XC5610051	SCREW			58	014300432	SET SCREW, SOCKET (CP) M3X4		
15	XC6362051	METAL PRESSER			59	XC5657051	J LINK ASSY		
16	X57908052	TAPTITE, BIND S M4X10			60	048040343	RETAINING RING, E4		
17	XC5623051	BASE NEEDLE BAR			61	XC5661051	J SLIDE LEVER		
18	014500632	SET SCREW, SOCKET (CP) M5X6			62	XC5662051	J SLIDE LEVER SHAFT		
19	XC5624351	DRIVING SHAFT ASSY, P-FOOT			63	XC5663051	J CUSHION		
20	XC5632251	P-FOOT LEVER SHAFT			64	XC5664051	J CUSHION PIN		
21	XC5633251	CONNECTING ROD, P-FOOT			65	012300432	SET SCREW, SOCKET (FT) M3X4		
22	014400432	SET SCREW, SOCKET (CP) M4X4			66	XC5665051	J LEVER SPRING		
23	X50546050	WASHER, THRUST			67	XC5639051	DRIVING LEVER ASSY, T/TAKE-UP		
24	132421051	BUSHING PRESSER			68	XC5627051	ROLLER SHAFT ASSY		
25	060501216	SCREW, BIND M5X12			69	028050246	WASHER, SPRING 2-5		
26	0A5401006	SCREW, PAN (S/P WASHER) M4X10			70	021500103	NUT, 1 M5		
27	0A4401006	SCREW PAN (S/P WASHER) M4X10			71	XC5645051	DIFFERENTIAL LEVER, T/TAKE-UP		
28	XC6784151	TENSION PULLEY ASSY			72	107550002	ROLLER		
29	XC3183051	FELT			73	S32575001	THREAD TAKE-UP ROLLER PIN		
30	XD0767051	LED PCB PLATE			74	148782001	SPACER		
31	XZ0207051	LINK FELT, 3.3M			75	018501232	BOLT, SOCKET M5X12		
32	XG5493001	MAIN SHAFT SENSOR PCB ASSY			76	XC5646051	BEARING, T/TAKE-UP		
33	XC5666051	SENSOR HOLDER			77	XC7564051	SCREW PAN(S/P WASHER)M3X6		
34	XC7564051	SCREW, PAN (S/P WASHER) M3X6							
35	XZ0319151	JUMP BRACKET ASSY							
36	XC7135051	CRANK ROD SET	H						
37	XC5616051	J SPRING COLLAR							
38	XC5617051	J SPRING							
39	XC5614051	J BRACKET							
40	062300416	SCREW, PAN M3X4							
41	XC5622051	J CUSHION BASE							
42	062260316	SCREW, PAN M2.6X3							
43	XC5621051	J VERTICAL BUSH							
44	008260304	SCREW, TRUSS M2.6X3							

(3) NEEDLE BAR MECHANISM



(3) NEEDLE BAR MECHANISM



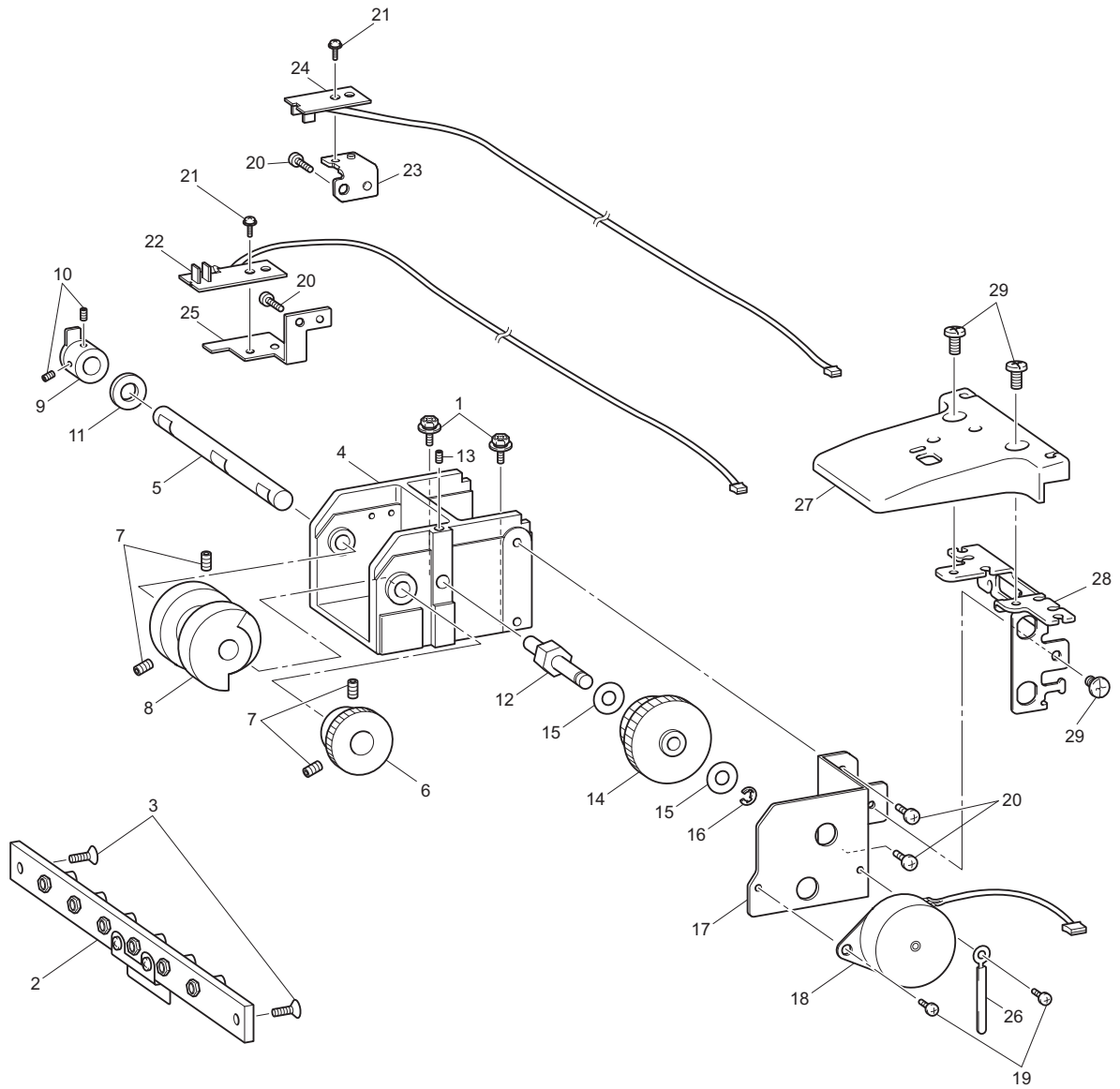
(3) NEEDLE BAR MECHANISM

No.	CODE	NAME	R/H	REMARKS	No.	CODE	NAME	R/H	REMARKS
1	XC4954251	NEEDLE BAR CASE ASSY			45	062400816	SCREW, PAN M4X8		
2	XC5671051	THREAD TAKE-UP SHAFT			46	025040236	WASHER, PLAIN M 4		
3	XC5672051	THREAD TAKE-UP BUSH			47	018501632	BOLT SOCKET M5X16		
4	012400432	SET SCREW, SOCKET (FT) M4X4			48	028050246	WASHER SPRING 2-5		
5	XC5673051	THREAD TAKE-UP LEVER ASSY			49	XC7249052	NEEDLE BAR FELT S	H	
6	XC5676051	CASE GUIDE, D			50	XC7472051	CASE POSITIONING SHAFT ASSY		
7	XC5677051	GUIDE RAIL, NEEDLE BAR			51	XC5702151	CASE POSITIONING PLATE		
8	004401003	SCREW, FLAT M4X10			52	025040236	WASHER PLAIN M 4		
9	XC5678151	TOP DEAD CENTER PLATE			53	028040246	WASHER SPRING 2-4		
10	060400616	SCREW, BIND M4X6			54	021400206	NUT 2 M4		
11	XC5679051	NEEDLE BAR			55	XG2613001	LED LAMP COVER		
12	XC5680051	SPRING, NEEDLE BAR			56	XG2194001	LED PCB ASSY E1		
13	062500816	SCREW, PAN M5X8			57	XG8161001	LED HOLDER_L		
14	118735002	WASHER			58	XG8162001	LED_REAR_COVER_L		
15	S36153100	RUBBER, CUSHION	H		59	XG8163001	LED HOLDER_R		
16	XE1172001	NEEDLE BAR CLAMP			60	XG8164001	LED_REAR_COVER_R		
17	014680432	SET SCREW, SOCKET SM4.37-40X4			61	XF6195001	LEAD WIRE ASSY LED		
18	100507050	WASHER			62	085271016	TAPTITE BIND B M2.6X10		
19	XC5682051	PRESSER FOOT SPRING COLLAR			63	XE6268101	LED CORD GUIDE		
20	XC5683051	PRESSER FOOT SPRING			64	XE6269101	LED CORD CLAMP		
21	XC5684051	PRESSER FOOT CLAMP			65	060400816	SCREW BIND M4X8		
22	XC5685151	PRESSER FOOT ASSY							
23	XC5688051	SCREW, P/F							
24	XC5689051	PRESSER FOOT CUSHION	H						
25	XC5690051	THREAD GUIDE, NEEDLE BAR							
26	XC7020051	THREAD GUIDE							
27	XC7021052	SCREW SM 2.38							
28	016300436	SET SCREW, SOCKET (CN) M3X4							
29	XC5691011	NEEDLE HAX130 EBBR							
30	018401632	BOLT, SOCKET M4X16							
31	XC9969151	STUD BOLT, M4							
32	XC5693051	CASE BRACKET ASSY							
33	070694809	BALL BEARING RADIAL 694ZZ							
34	048030343	RETAINING RING, E3							
35	XC5696051	CASE GUIDE, US							
36	018400832	BOLT, SOCKET M4X8							
37	XC7406051	WASHER							
38	XC5697051	SLIDE ROLLER STOPPER							
39	062300416	SCREW, PAN M3X4							
40	XC5698051	SLIDE ROLLER							
41	XC5699051	CASE GUIDE, UL							
42	XC5700051	CASE GUIDE COVER, UL							
43	018401232	BOLT, SOCKET M4X12							
44	XC5701051	THREAD TAKE-UP GUIDE							

(3) NEEDLE BAR MECHANISM

Blank page

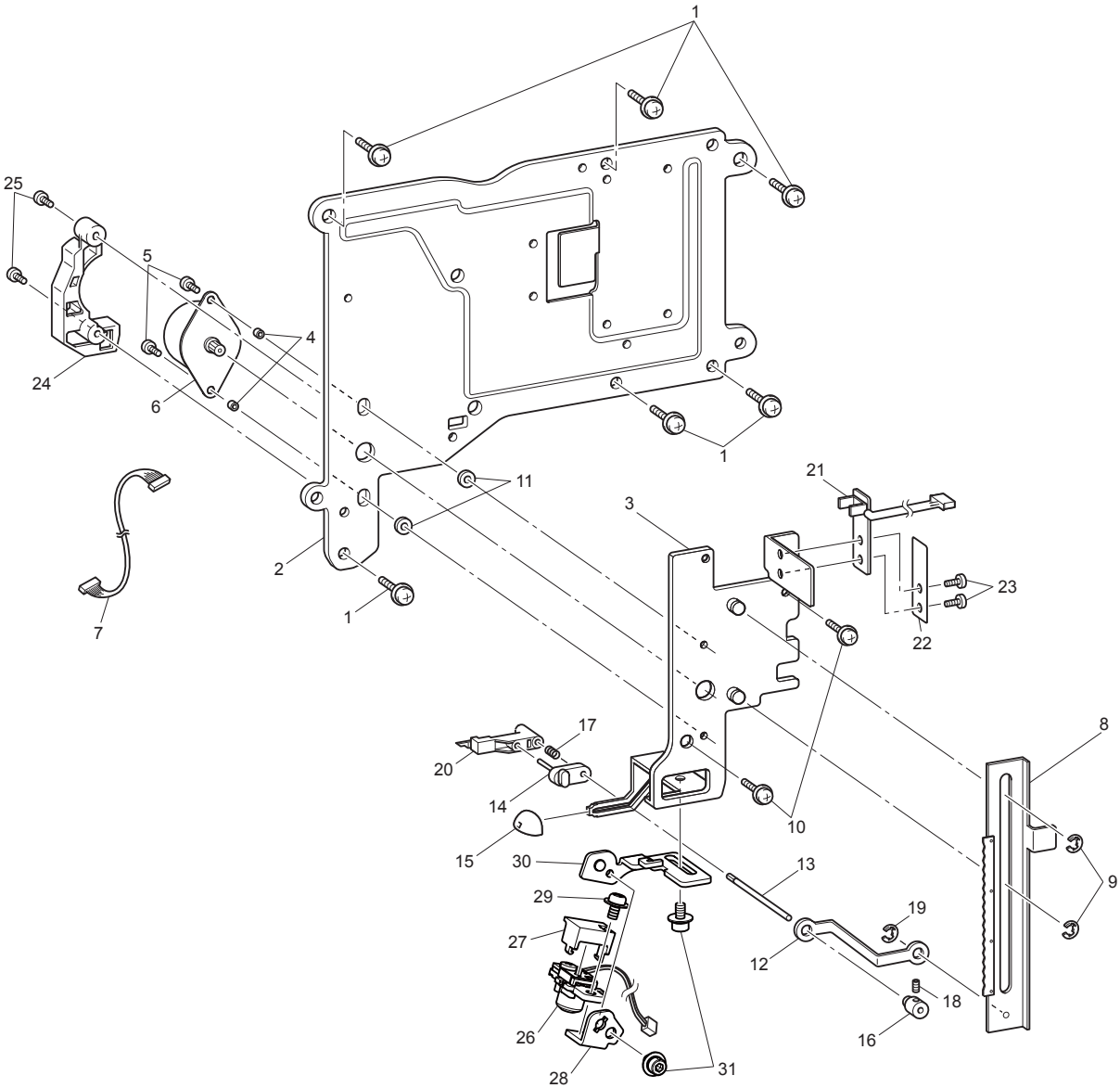
(4) NEEDLE CHANGER UNIT



(4) NEEDLE CHANGER UNIT

No.	CODE	NAME	R/H	REMARKS
1	XC7323151	BOLT (S/P WASHER) M5X16		
2	XC5717051	CHANGE ROLLER BASE ASSY		
3	004401003	SCREW, FLAT M4X10		
4	XC5705051	CHANGE BOX ASSY		
5	XC5708051	CHANGE CAM SHAFT		
6	XC5709051	CHANGE GEAR		
7	014500632	SET SCREW, SOCKET (CP) M5X6		
8	XC5710051	CHANGE CAM		
9	XC5711051	C STOP POSITION DOG		
10	014400432	SET SCREW, SOCKET (CP) M4X4		
11	X51383050	WASHER, THRUST		
12	XC5712051	DIFFERENTIAL GEAR SHAFT		
13	012400432	SET SCREW, SOCKET (FT) M4X4		
14	XC5713051	C DIFFERENTIAL GEAR		
15	025060235	WASHER, PLAIN M 6		
16	048040343	RETAINING RING, E4		
17	XC5714151	CHANGE MOTOR BASE		
18	XG8160001	PULSE MOTOR:I PM35S-048-BKH1		
19	062300416	SCREW, PAN M3X4		
20	060400816	SCREW, BIND M4X8		
21	XC7564051	SCREW, PAN (S/P WASHER) M3X6		
22	XG4172001	INDEX SENSOR PCB ASSY		
23	XC5715151	C SENSOR BRACKET		
24	XG4171001	COLOR CHANGE SENSOR PCB ASSY		
25	XC5716051	C SENSOR BRACKET LOWER		
26	137947001	CLIP		
27	XE6300201	CHANGE BOX CENTER COVER		
28	XE6270101	LED CORD HOLDER		
29	060400816	SCREW BIND M4X8		

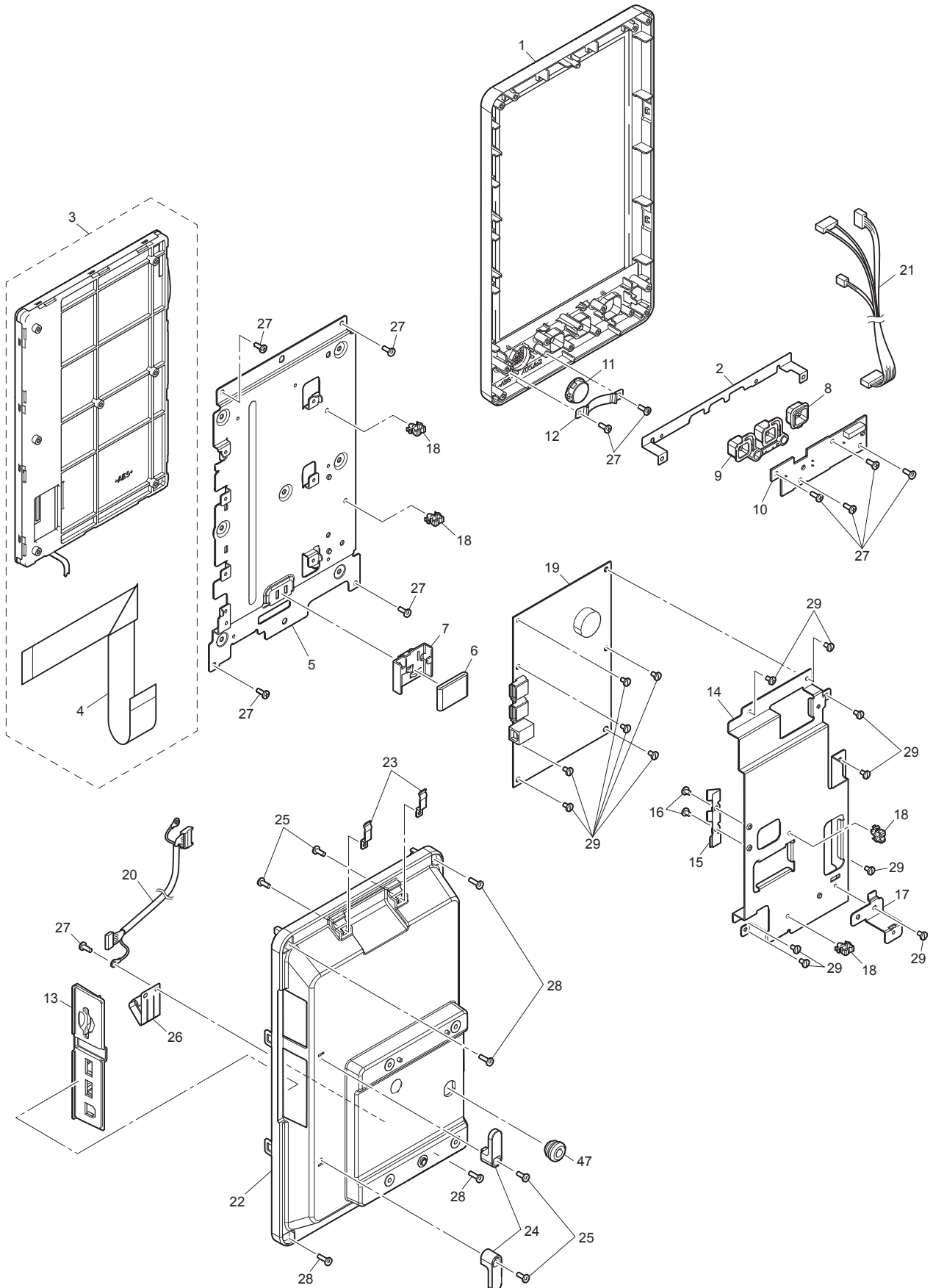
(5) NEEDLE THREADING MECHANISM



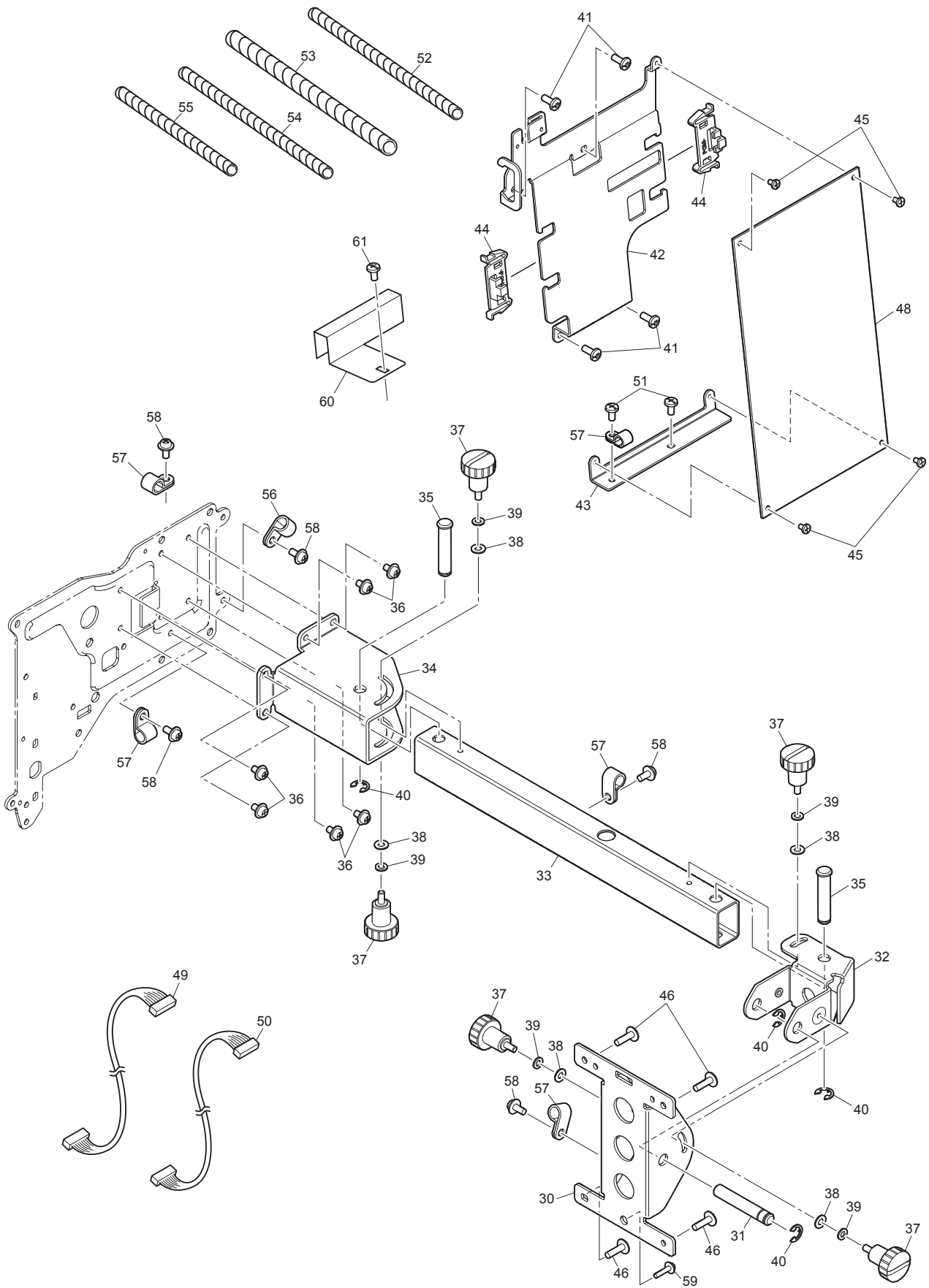
(5) NEEDLE THREADING MECHANISM

No.	CODE	NAME	R/H	REMARKS
1	X57908052	TAPTITE, BIND S M4X10		
2	XC5723351	THREAD GUIDE BASE		
3	XG3146001	BASE PLATE ASSY		
4	XC5727151	SPACER		
5	062300616	SCREW, PAN M3X6		
6	XG5376001	PULSE MOTOR:M35SP-9NK A439		
7	XG5367001	LEAD WIRE ASSY THPM		
8	XC6507051	RACK ASSY		
9	048040343	RETAINING RING, E4		
10	0A5400806	SCREW, PAN (S/P WASHER) M4X8		
11	025040136	WASHER, PLAIN S 4		
12	XC5730051	HOOK HOLDER LINK		
13	XC5739151	HOOK HOLDER AXIS B		
14	XC6510051	SET COLLAR ASSY		
15	XF2672001	CAP		
16	XC6076151	BUSH		
17	XC7375051	HOOK HOLDER SPRING	H	
18	014300332	SET SCREW, SOCKET (CP) M3X3		
19	048030343	RETAINING RING, E3		
20	XC5732151	HOOK HOLDER ASSY	R/H	
21	XG4169001	NEEDLE TH SENSOR PCB ASSY		
22	XE7791101	INSULATION SHEET		
23	XC7564051	SCREW, PAN (S/P WASHER) M3X6		
24	XD0676051	LEAD WIRE GUIDE		
25	062300416	SCREW PAN M3X4		
26	XG7878001	LIGHT SOURCE ASSY		
27	XF2151101	PT GUARD COVER		
28	XF2058001	LED LENS HOLDER PLATE		
29	0A5300606	SCREW PAN (S/P WASHER) M3X6		
30	XF2057001	LED PT BASE PLATE		
31	XE7911001	BOLT SOCKET(S/P WASHER)M3X6		

(6) ELECTRIC PARTS



(6) ELECTRIC PARTS



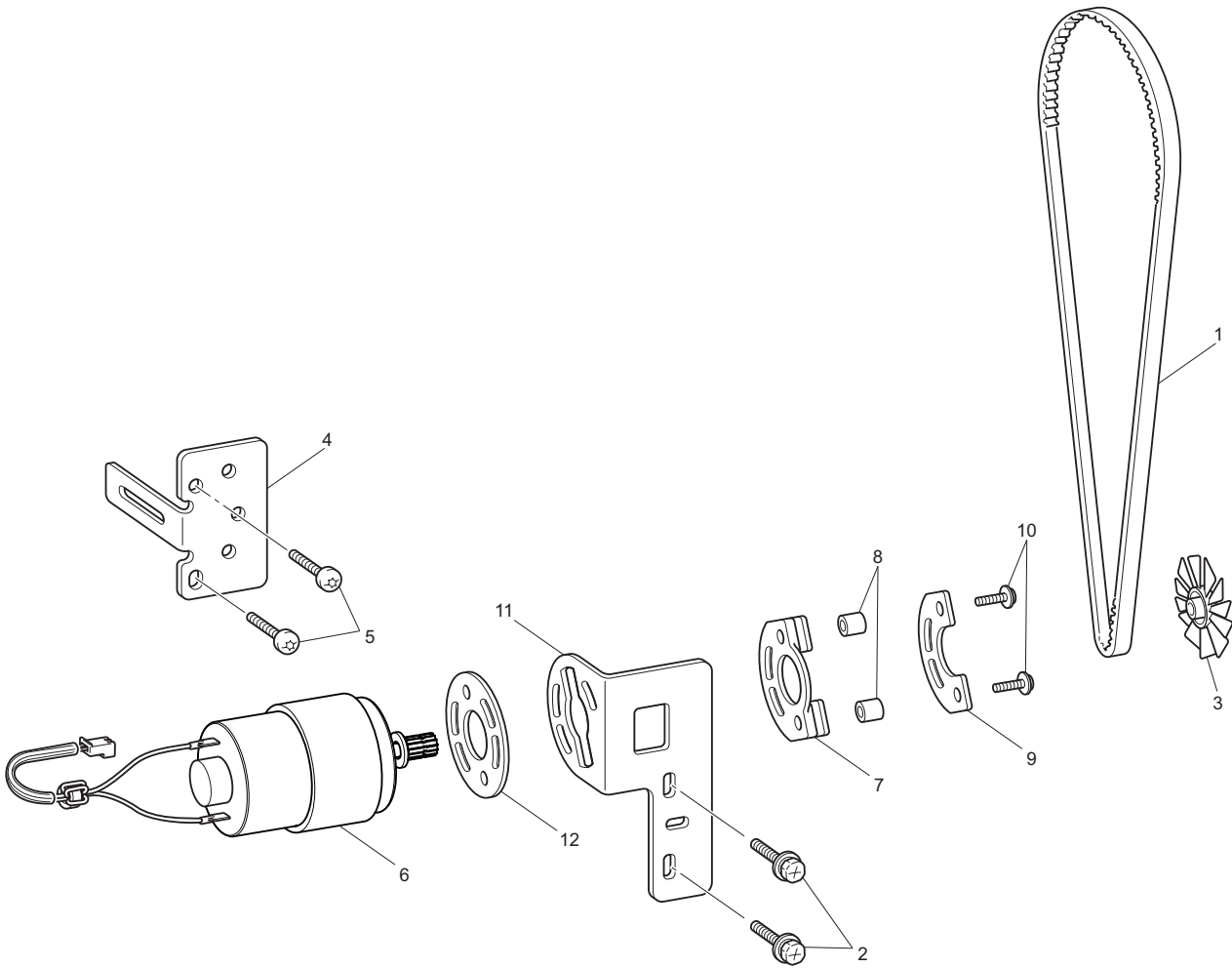
(6) ELECTRIC PARTS

No.	CODE	NAME	R/H	REMARKS	No.	CODE	NAME	R/H	REMARKS
1	XG8172001	PANEL FRONT COVER ASSY	R		45	XC7564051	SCREW, PAN (S/P WASHER) M3X6		
2	XG5280001	PANEL LCD F HOLDER ASSY			46	087411416	TAPTITE, CUP B M4X14		
3	XG1204001	LCD SUPPLY ASSY	R		47	XC7233051	CORD BUSHING 5P-4		
4	XG1403001	FFC SUPPLY ASSY			48	XG8688001	MAIN PCB SUPPLY ASSY	R/H	
5	XG5263001	PANEL LCD HOLDER			49	XG7324001	LEAD WIRE ASSY HEAD-MAIN 1		
6	XE9920001	FERRITE CORE:FSRC310200RN000T			50	XG5214001	LEAD WIRE ASSY HEAD-MAIN 2		
7	XE9963001	FERRITE HOLDER WIDE			51	060400816	SCREW BIND M4X8		
8	XG5268001	SS BUTTON			52	XC5069051	SPIRAL TUBE A		
9	XG8174001	OPERATION BUTTON			53	XC5073051	SPIRAL TUBE B		
10	XG5188001	SS PCB ASSY			54	XC5078051	SPIRAL TUBE C		
11	XG1729001	SPEAKER SUB ASSY			55	XC6407051	SPIRAL TUBE D		
12	XF9172001	SPEAKER BRACKET			56	XZ0201051	CORD CLAMP: WL-5/8 (for 52)		
13	XG5266001	USB SD COVER			57	XC5243052	CORD CLAMP: NK-5N (for 53,54,55)		
14	XG5264001	PANEL PCB HOLDER			58	0A5401006	SCREW, PAN (S/P WASHER) M4X10		
15	XE5267001	GROUND PLATE USB			59	0A5301206	SCREW PAN (S/P WASHER) M3X12		
16	060300416	SCREW BIND M3X4			60	XC5157051	PROTECT SHEET		
17	XG5274001	PANEL SUB HOLDER			61	060400516	SCREW, BIND M4X5		
18	XG5583001	CORD CRAMP:RMS-1V0							
19	XG8686001	PANEL PCB SUPPLY ASSY:B	R/H						
20	XG5193101	LEAD WIRE ASSY PANEL-MAIN							
21	XG5190001	LEAD WIRE ASSY SS							
22	XG8166001	PANEL REAR COVER	R						
23	XE6246003	PEN HOLDER							
24	XD0761053	USB CORD HOLDER							
25	136681051	TAPTITE, BIND B M3X8							
26	XG1741001	GROUND SPRING							
27	136681051	TAPTITE, BIND B M3X8							
28	X59629051	TAPTITE, BIND B M3X10							
29	060300516	SCREW BIND M3X5							
30	XE6259001	PANEL HOLDER							
31	XC5747051	OPERATION PANEL HOLDER SHAFT							
32	XD0664051	OPERATION PANEL LEVER A							
33	XE7022101	OPERATION PANEL LEVER B							
34	XD0666251	OPERATION PANEL LEVER C							
35	XC5751051	OPERATION PANEL LEVER SHAFT							
36	0A5400806	SCREW, PAN (S/P WASHER) M4X8							
37	XC5553051	THUMB BOLT M4 L							
38	026040236	WASHER, PLAIN M 4							
39	028040246	WASHER, SPRING 2-4							
40	048060343	RETAINING RING, E6							
41	X57908052	TAPTITE, BIND S M4X10							
42	XG6785001	BOARD HOLDER U ASSY							
43	XE8103001	BOARD HOLDER D							
44	XE8104001	PCB SUPPORTER							

(6) ELECTRIC PARTS

Blank page

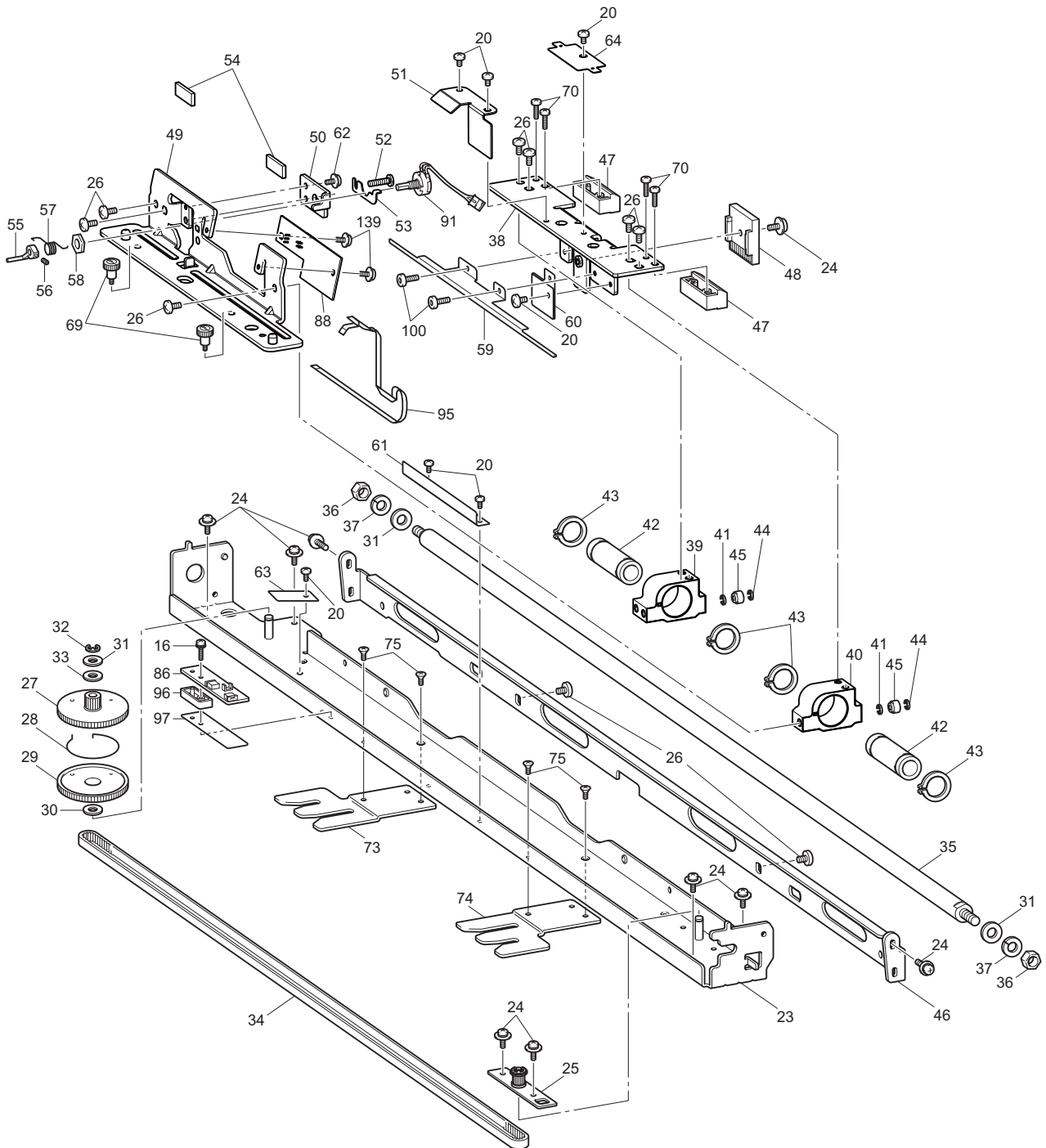
(7) MAIN MOTOR UNIT



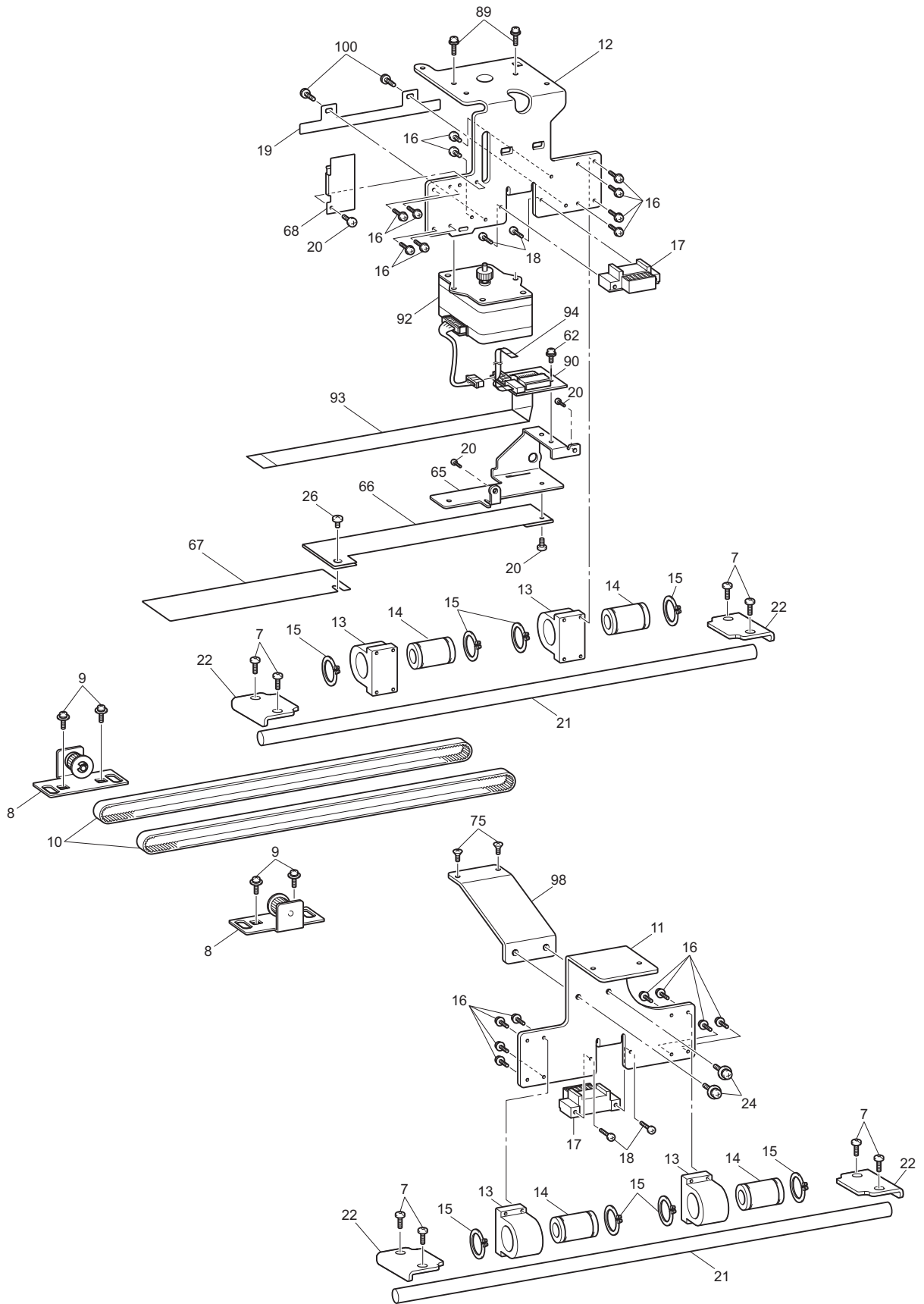
(7) MAIN MOTOR UNIT

No.	CODE	NAME	R/H	REMARKS
1	XA9644050	T BELT	H	
2	XA8474051	UPSET 4X12 DB		
3	XA9652150	MOTOR FAN		
4	XC5764051	MOTOR HOLDER BASE		
5	X57908052	TAPTITE, BIND S M4X10		
6	XG8451001	MAIN MOTOR ASSY	R/H	
7	XA9649050	FENDER RUBBER		
8	XC0443051	SPACER 4X7		
9	XA9650051	MOTOR SPACER PRESSER		
10	052401605	SCREW, PAN (S/P WASHER) M4X16		
11	XC5762051	MOTOR HOLDER		
12	XC5763051	MOTOR HOLDER SPACER		

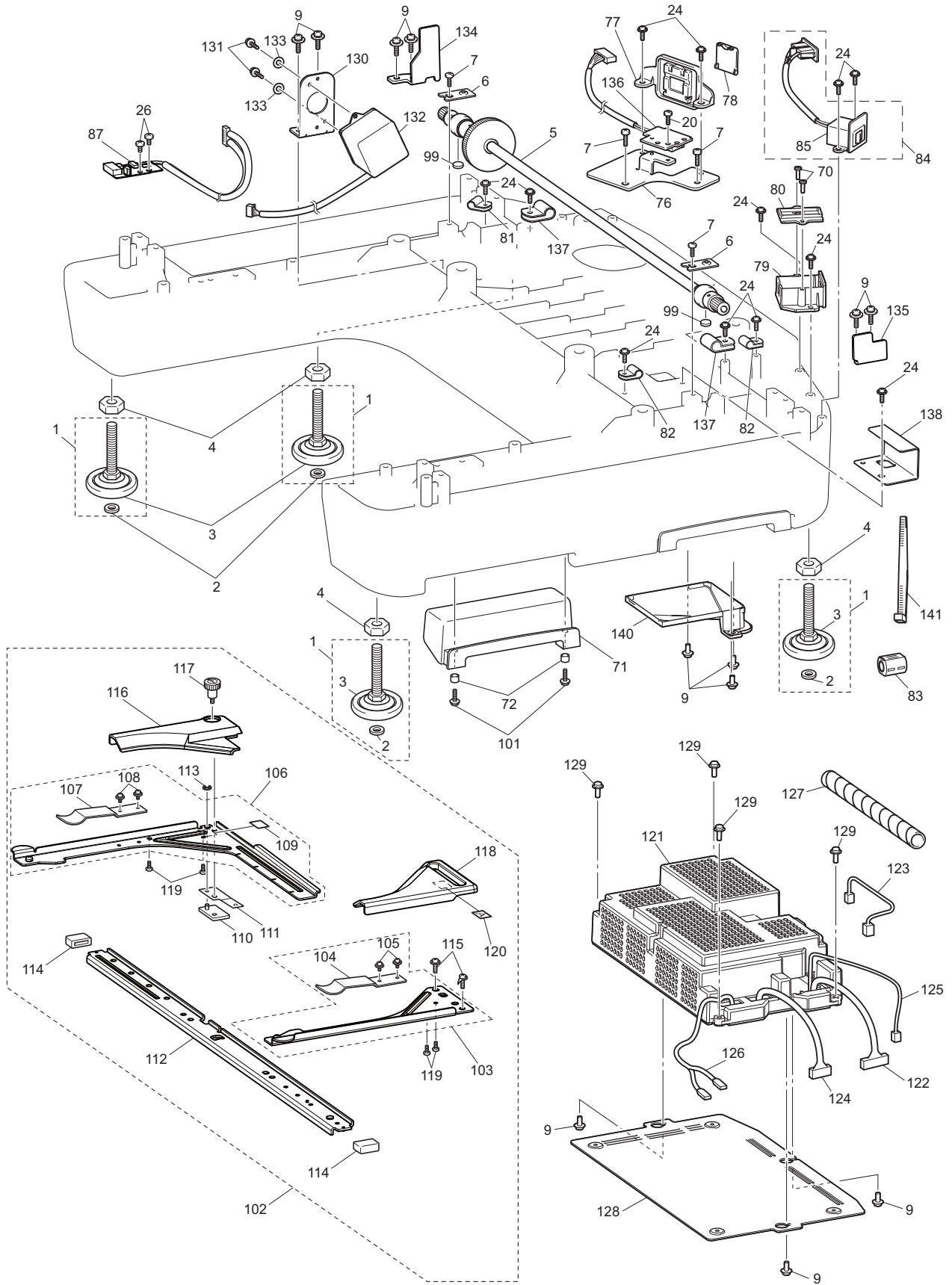
(8) XYCARRIAGE MECHANISM



(8) XYCARRIAGE MECHANISM



(8) XYCARRIAGE MECHANISM



(8) XYCARRIAGE MECHANISM

No.	CODE	NAME	R/H	REMARKS	No.	CODE	NAME	R/H	REMARKS
1	XD0747051	ADJUST BOLT M8			45	XC5796051	X ROLLER		
2	XD0751051	WASHER			46	XC6221051	X FEED FRAME B		
3	XD0752051	RUBBER CUSHION	H		47	XC6218051	Y FRAME SPACER		
4	021080206	NUT, 2 M8			48	XC5798051	X BELT PRESSER		
5	XC5767151	Y DRIVING SHAFT ASSY			49	XF2147001	X CARRIAGE AX SUB ASSY		
6	X52478051	BUSHING PRESSER			50	XF2148001	X CARRIAGE CX		
7	X57908052	TAPTITE, BIND S M4X10			51	XF2163001	X CARRIAGE DX		
8	XC5771051	Y TENSION PLATE SET			52	060301216	SCREW BIND M3X12		
9	0A5401006	SCREW, PAN (S/P WASHER) M4X10			53	XE7362001	PT METER PLATE B		
10	XC5775051	T BELT B60S3M579			54	XE8211001	X CARRIAGE SLIDING SHEET		
11	XC5776051	Y CARRIAGE R			55	XC5801051	HOOP LEVER		
12	XC5777151	Y CARRIAGE L			56	012300632	SET SCREW, SOCKET (FT) M3X6		
13	XC5779051	BEARING CASE Y			57	XC5802051	SPRING		
14	XC5780001	BEARING 10, LINER			58	X52569001	NUT		
15	048190142	RETAINING RING, EXTERNAL C19			59	XC5803051	X SENSOR DOG		
16	0A4301006	SCREW, PAN (S/P WASHER) M3X10			60	XC5804051	X CABLE FIXING SHEET A		
17	XC5781251	Y BELT PRESSER			61	XC5805051	X CABLE FIXING SHEET B		
18	085311416	TAPTITE, BIND P M3X14			62	XC7564051	SCREW, PAN (S/P WASHER) M3X6		
19	XC5782051	Y SENSOR DOG			63	XC5806051	X CABLE FIXING SHEET C		
20	060300416	SCREW, BIND M3X4			64	XF2149001	X CABLE FIXING SHEET E		
21	XC5783051	Y GUIDE SHAFT			65	XC5807051	PCB SET PLATE		
22	XC5784251	FIXED Y SHAFT PLATE			66	XC5808051	Y CABLE PROTECTION SHEET A		
23	XC5785051	FEED FRAME ASSY			67	XC6121051	Y CABLE PROTECTION SHEET B		
24	0A5400806	SCREW, PAN (S/P WASHER) M4X8			68	XC5809151	CODE GRIP		
25	XA9657051	TENSION PULLEY ASSY			69	XC5817051	SCREW, KNOB M4S		
26	060400616	SCREW, BIND M4X6			70	X59629051	TAPTITE, BIND B M3X10		
27	XC3227001	Y DRIVING GEAR PULLEY A			71	XC5834051	HANDLE		
28	XC3194051	SPRING FOR GEAR			72	XC5835051	BUSH 4X4		
29	XC3192001	Y DRIVING GEAR PULLEY B			73	XE2319001	CYLINDER CONNECTION L		
30	X50546050	WASHER, THRUST			74	XE2320001	CYLINDER CONNECTION R		
31	XE0863051	WASHER, M6			75	061300616	SCREW, FLAT M3X6		
32	048040343	RETAINING RING, E4			76	XE8122001	EX CONNECTOR HOLDER		
33	X53838051	WASHER			77	XE8123001	EX CONNECTOR HOLDER COVER		
34	XC5788051	T BELT B60S796			78	XE8124001	EX CONNECTOR HOLDER COVER LID		
35	XC5789051	X GUIDE SHAFT			79	XG4057001	INLET COVER		
36	021060206	NUT, 2 M6			80	XG4058001	INLET COVER LID		
37	028060246	WASHER, SPRING 2-6			81	XA8837051	CORD CLAMP		
38	XF2146001	X CARRIAGE BX			82	XA7678051	CORD CRAMP		
39	XC5792051	BEARING CASE X ASSY			83	XE7045001	FERRITE CORE: LF0930A		
40	XF2061001	BEARING CASE XB ASSY			84	XE8187101	POWER SWITCH ASSY 120 (USA, CAN)		
41	048040343	RETAINING RING, E4				XE8188101	POWER SWITCH ASSY 200 (OTHER)		
42	XC6222001	BEARING 12 LINER			85	XG4059001	SWITCH HOLDER		
43	048210142	RETAINING RING, EXTERNAL C21			86	XF6056001	X AREA PCB ASSY		
44	048040343	RETAINING RING, E4			87	XE7947001	Y AREA PCB ASSY		

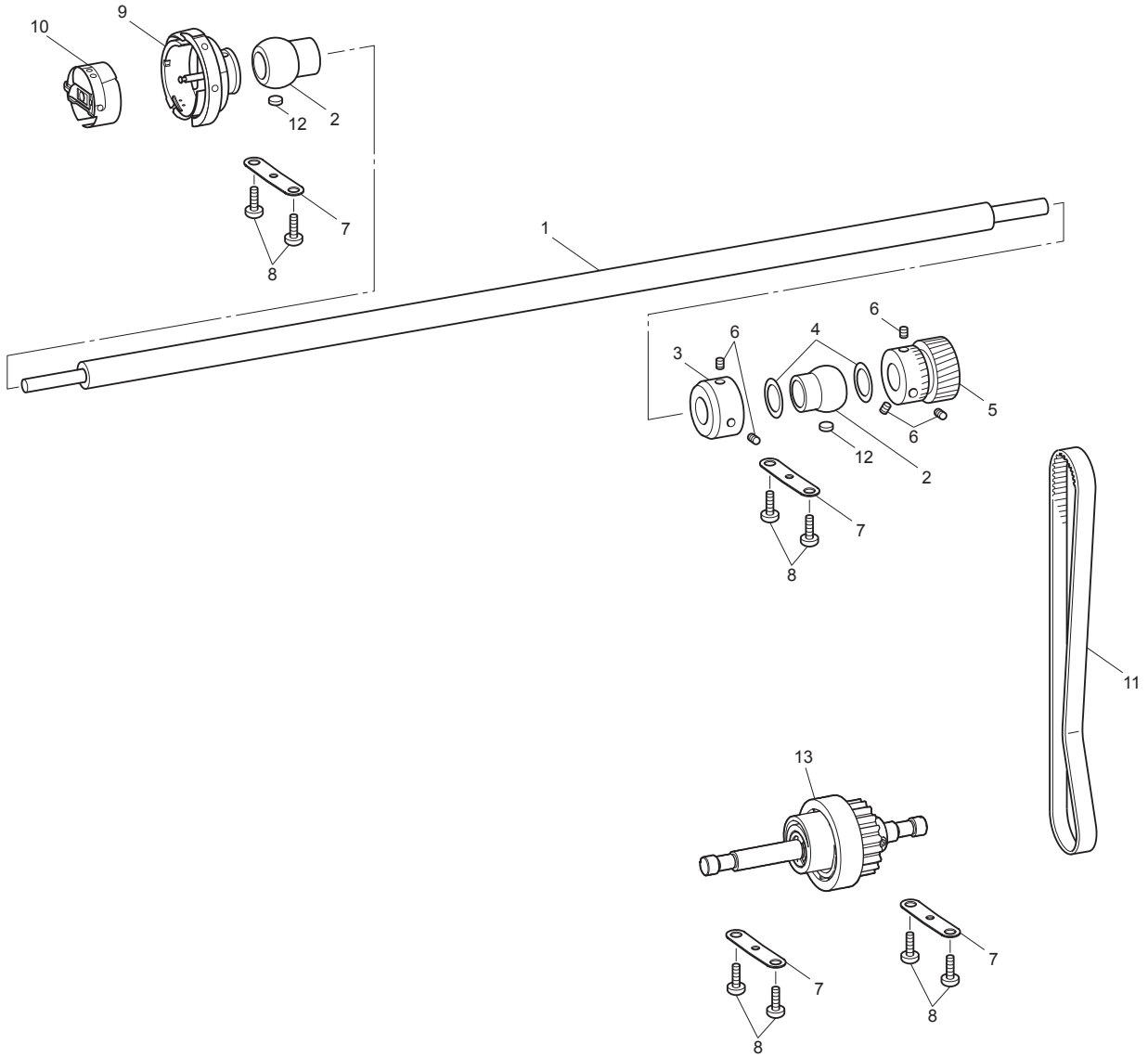
(8) XYCARRIAGE MECHANISM

No.	CODE	NAME	R/H	REMARKS	No.	CODE	NAME	R/H	REMARKS
88	XF6057001	HOOP PCB ASSY			131	0A4300806	SCREW PAN (S/P WASHER) M3X8		
89	0A4300806	SCREW PAN (S/P WASHER) M3X8			132	XG1618001	Y MOTOR ASSY	H	
90	XE7948001	CONNECT PCB ASSY			133	026030136	WASHER PLAIN S 3		
91	XC6177051	ASSY: HOOP SENSOR			134	XE7433001	BELT SUPPORT L		
92	XG8159001	PULSE MOTOR:X 17PU-H049BG02CN	H		135	XE7434001	BELT SUPPORT R		
93	XE7940001	FLEXIBLE FLAT CABLE:SML2CD-YC			136	XE8088001	EXTENSION IF PCB ASSY:PR L		
94	XF6093001	FLEXIBLE FLAT CABLE:SML2CD-CX			137	XE8308001	CORD CLAMP:WL-1/2		
95	XF6094001	FLEXIBLE FLAT CABLE:SML2CD-XH			138	XE7406001	POWER UNIT CODE GUIDE		
96	XC6219151	X FRAME SPACER			139	XC7644051	SCREW, PAN (S/P WASHER) M3X5		
97	XE2281001	INSULATION SHEET			140	XG5309001	OIL PAN		
98	XC6500051	Y CARRIAGE RB			141	X53169050	BAND		
99	XC3183051	FELT							
100	018300532	BOLT, SOCKET M3X5							
101	XC7077051	SCREW 3X10							
102	XF2222001	TUBULAR ROUND ARMA SUPPLY ASSY							
103	XE7399101	TUBLAR ROUND ARM RA SET							
104	XC7076151	SPRING, PLATE							
105	XC7644051	SCREW, PAM (S/P WASHER) M3X5							
106	XF2064001	TUBULAR ROUND ARM LA SET							
107	XC7076151	SPRING, PLATE							
108	XC7644051	SCREW, PAM (S/P WASHER) M3X5							
109	XE7375001	SEAL							
110	XE7140001	GUIDE PLATE ASSY							
111	XE7143101	SPRING PLATE							
112	XF2050001	HOOP STAY A							
113	048030343	RETAINING RING, E3							
114	XC5816051	RUBBER							
115	0A5400806	SCREW, PAN (S/P WASHER) M4X8							
116	XE7146001	TUBULAR ARM COVER L2							
117	XC5553051	THUMB BOLT M4 L							
118	XE7174001	TUBULAR ARM COVER R2							
119	136681051	TAPTITE, BIND B M3X8							
120	XE7414002	SEAL A							
121	XG6925001	POWER PCB SUPPLY ASSY	R/H						
122	XG5390001	LEAD WIRE ASSY PW-MAIN							
123	XG5389001	LEAD WIRE ASSY PW-MD							
124	XG5191001	LEAD WIRE ASSY MD-MAIN							
125	XG5192001	LEAD WIRE ASSY MD-MOTOR							
126	XC6209051	LEAD WIRE ASSY:POWER (USA, CAN)							
	XE8327001	LEAD WIRE ASSY:POWER 200 (OTHER)							
127	XE8197001	SPIRAL TUBE							
128	XE7369001	POWER UNIT STAY							
129	0A5401206	SCREW, PAN (S/P WASHER) M4X12							
130	XC5810151	Y MOTOR STAY							

(8) XYCARRIAGE MECHANISM

Blank page

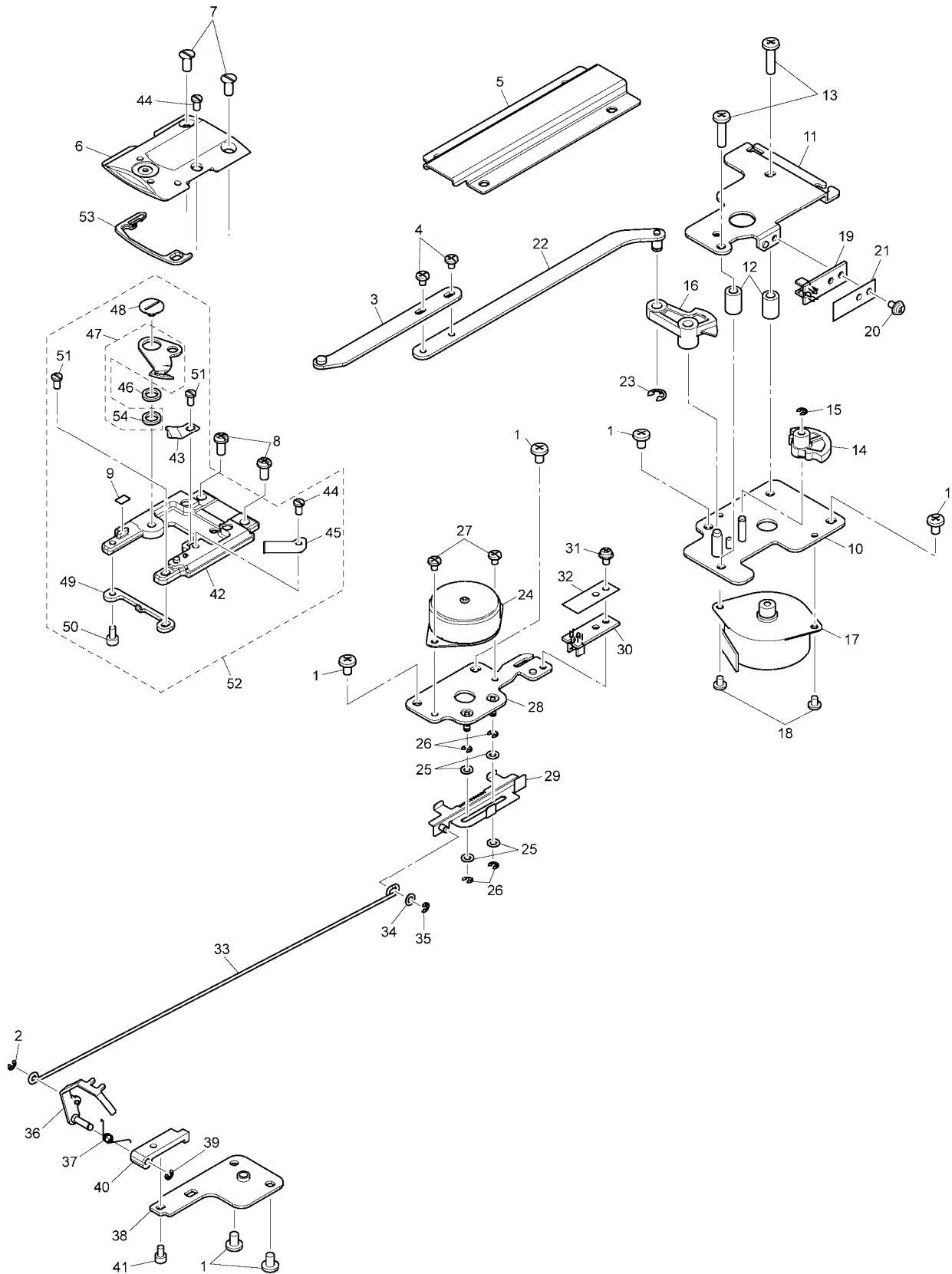
(9) LOWER SHAFT MECHANISM



(9) LOWER SHAFT MECHANISM

No.	CODE	NAME	R/H	REMARKS
1	XG5327001	LOWER SHAFT		
2	XC5845051	LOWER SHAFT METAL, R		
3	XA0840051	COLLAR		
4	XA0835050	WASHER. THURST 7.24		
5	XA0841051	LOWER SHAFT GEAR		
6	014060632	SET SCREW, SOCKET (CP) M6X6		
7	X57943051	BUSHING PRESSER		
8	X57908052	TAPTITE, BIND S M4X10		
9	XC6924001	ROTARY HOOK, DB1-ATR (1QB)	H	
10	XC7206001	BOBBIN CASE ASSY	H	
11	XC5846051	T BELT-S5M-525		
12	XC3183051	FELT		
13	XE7034301	IDLE PULLEY ASSY	H	

(10) THREAD CUTTING MECHANISM

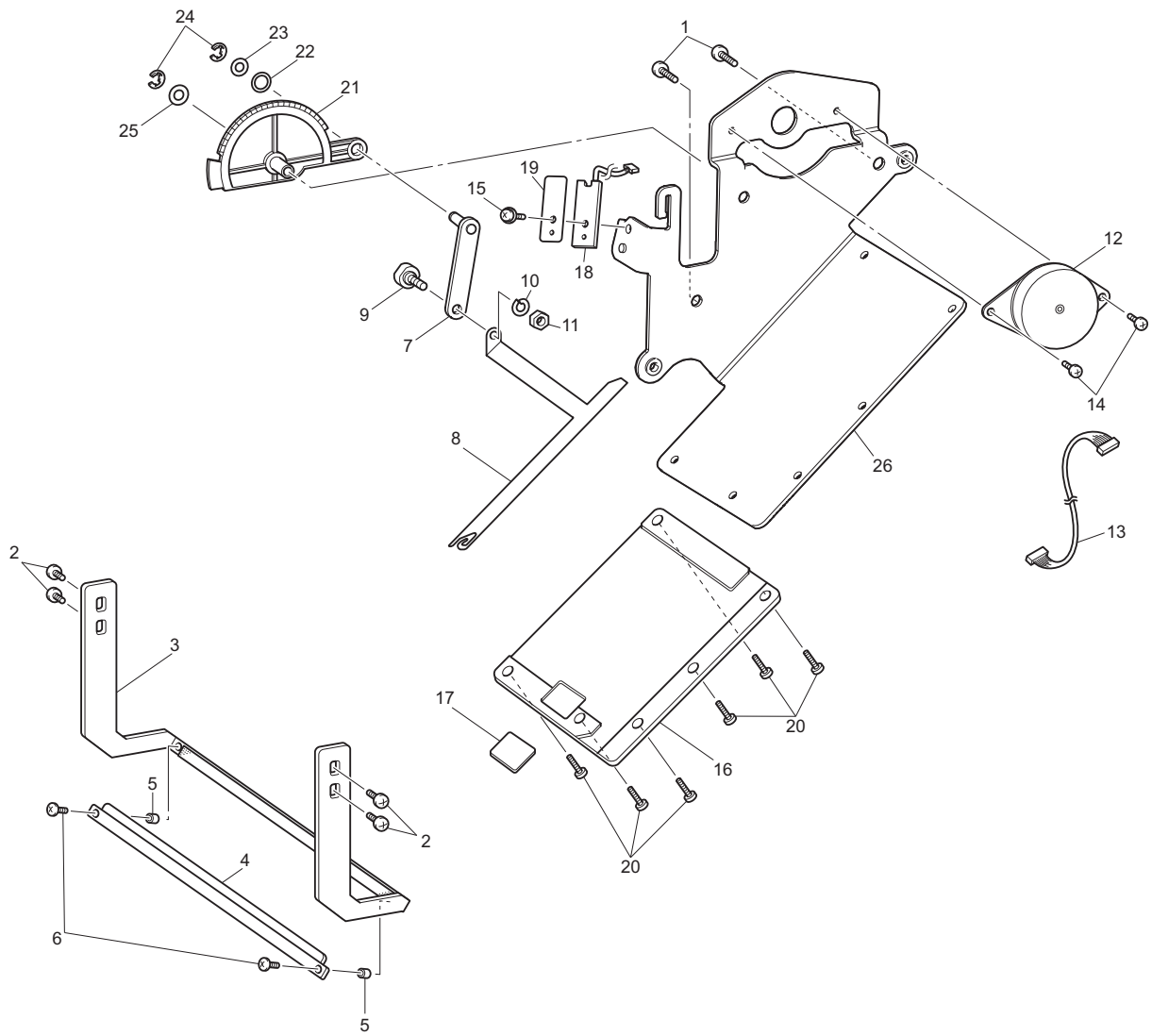


(10) THREAD CUTTING MECHANISM

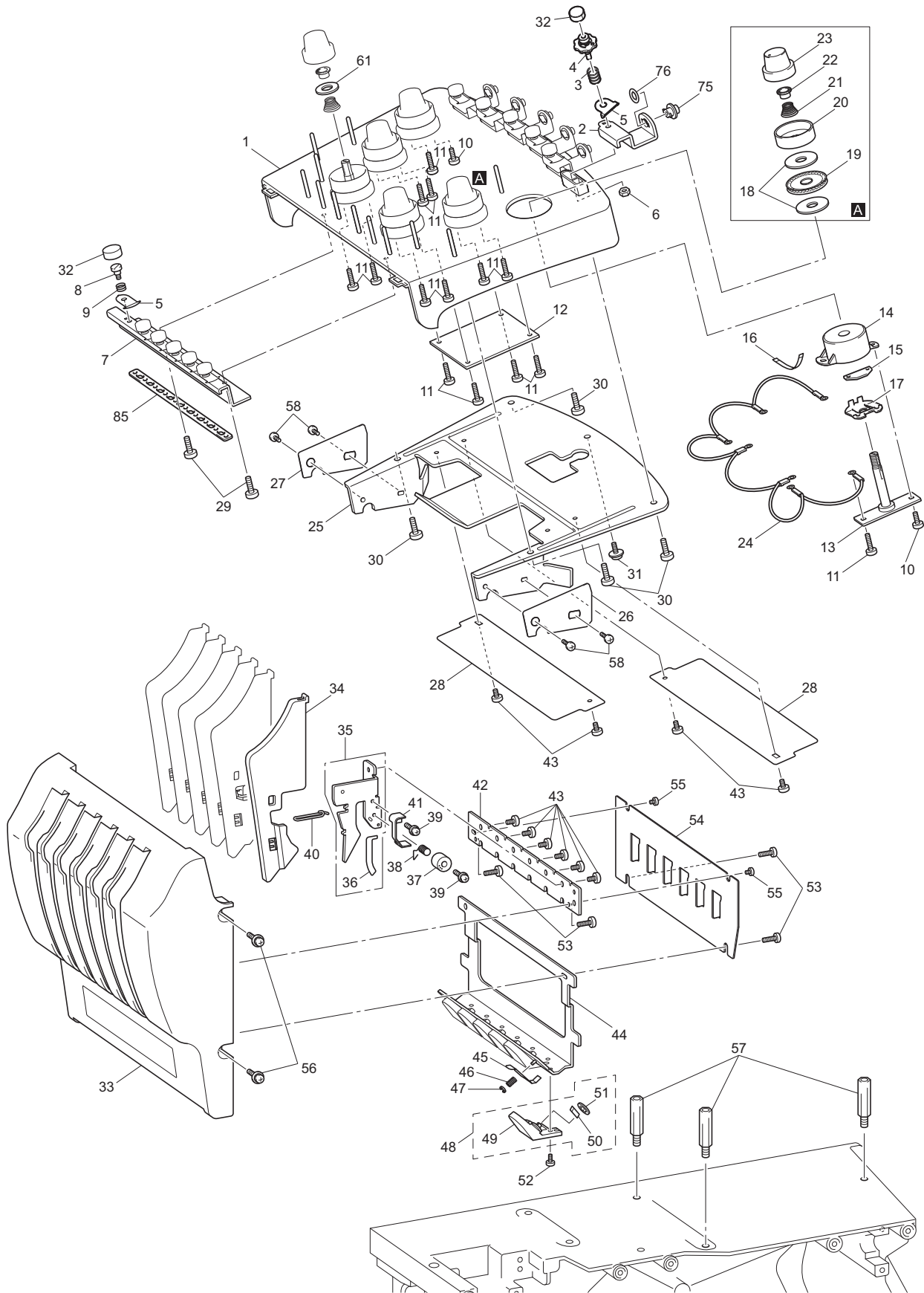
No.	CODE	NAME	R/H	REMARKS	No.	CODE	NAME	R/H	REMARKS
1	060400616	SCREW BIND M4X6			43	XC6230051	THREAD HOLDING PLATE		
2	048020343	RETAINING RING E2			44	XC5881051	SCREW		
3	XC5871151	CUTTER LINK ASSY			45	XC5882051	FIXED KNIFE *	H	
4	060300416	SCREW BIND M3X4			46	S32476001	COLLAR, M-KNIFE		
5	XC5874051	BED COVER			47	XC6908151	MOVABLE KNIFE SUPPLY ASSY *	H	
6	XE1142001	NEEDLE PLATE	R		48	S32475001	SCREW, M4		
7	XC6404051	SCREW,FLAT M4			49	XC5879051	ROTARY HOOK STOPPER		
8	062400816	SCREW PAN M4X8			50	018300636	BOLT SOCKET M3X6		
9	XC5984051	FELT			51	XC5881051	SCREW		
10	XC5858151	CT MOTOR BRACKET ASSY			52	XE7460101	NEEDLE PLATE ASSY		
11	XC5863251	CUTTER BRACKET			53	XF1978001	SPACER		
12	XC5864051	COLLAR			54	XE1845001	MOVABLE KNIFE SPACER		
13	000401605	SCREW BIND M4X16							
14	XC5865151	INITIAL GEAR							
15	048020343	RETAINING RING E2							
16	XC5866051	LEVER GEAR							
17	XC6184051	ASSY: TH CUTTER MOTOR							
18	060300416	SCREW BIND M3X4							
19	XG4167001	TH CUTTER SENSOR PCB ASSY							
20	XC7564051	SCREW PAN(S/P WASHER)M3X6							
21	XE7791101	INSULATION SHEET							
22	XC5868051	LEVER LINK ASSY							
23	048040343	RETAINING RING E4							
24	XG5375001	PULSE MOTOR:M35SP-9NK A441							
25	026030136	WASHER PLAIN S 3							
26	048020343	RETAINING RING E2							
27	060300416	SCREW BIND M3X4							
28	XC5510151	PK MOTOR BRACKET ASSY							
29	XC5513151	RACK ASSY							
30	XG4170001	PICKER SENSOR PCB ASSY							
31	XC7564051	SCREW PAN(S/P WASHER)M3X6							
32	XE7791101	INSULATION SHEET							
33	XC5856051	PICKER LINK							
34	026030136	WASHER PLAIN S 3							
35	048020343	RETAINING RING E2							
36	XC5849151	PICKER ASSY							
37	XC5853051	PICKER SPRING	H						
38	XC5854051	PICKER BRACKET							
39	048020343	RETAINING RING E2							
40	XC6634151	PICKER HOLDER							
41	018300532	BOLT SOCKET M3X5							
42	XC5876151	NEEDLE PLATE BASE ASSY							

* Replacing the FIXED KNIFE(#45) and MOVABLE KNIFE SUPPLY ASSY(#47) simultaneously is recommended.

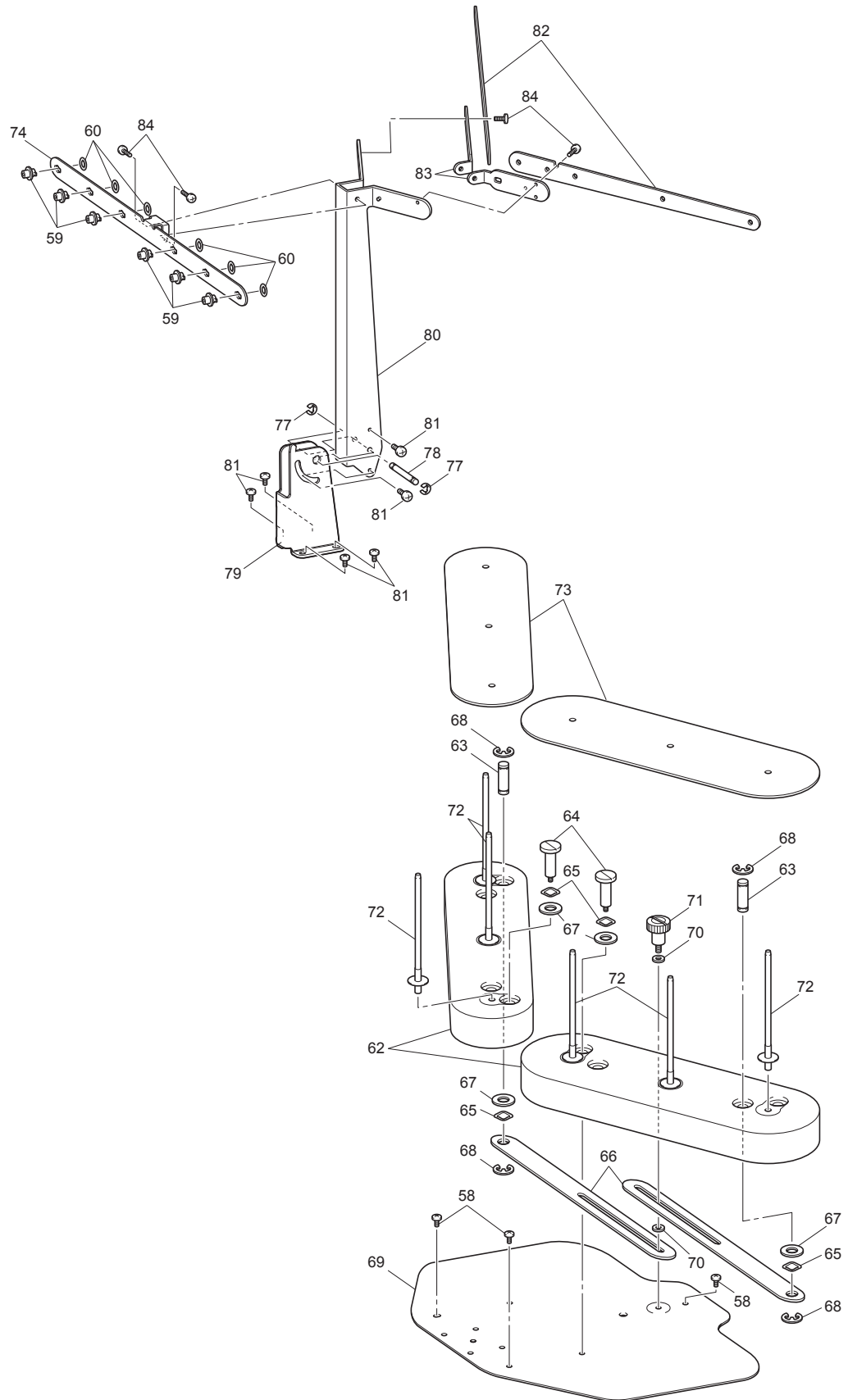
(11) WIPER MECHANISM



(12) UPPER THREADING MECHANISM



(12) UPPER THREADING MECHANISM



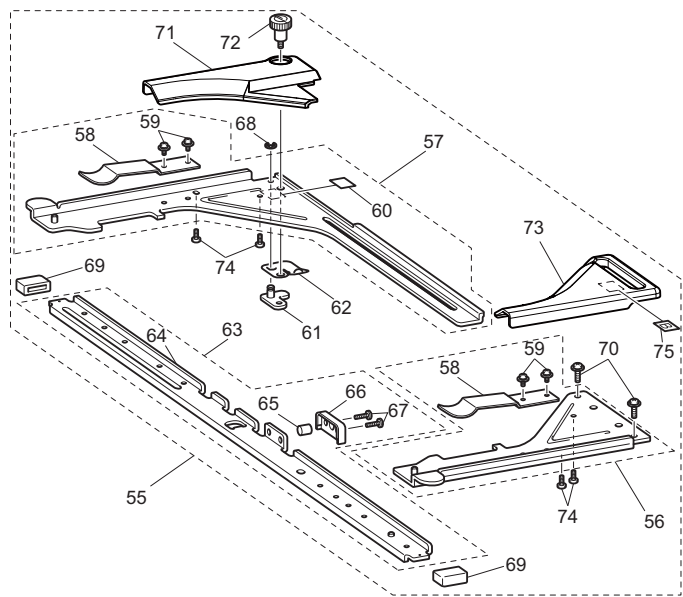
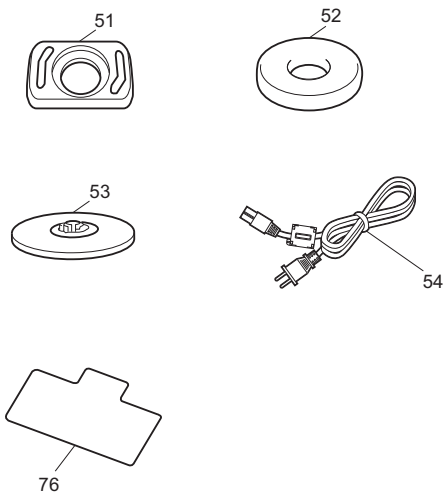
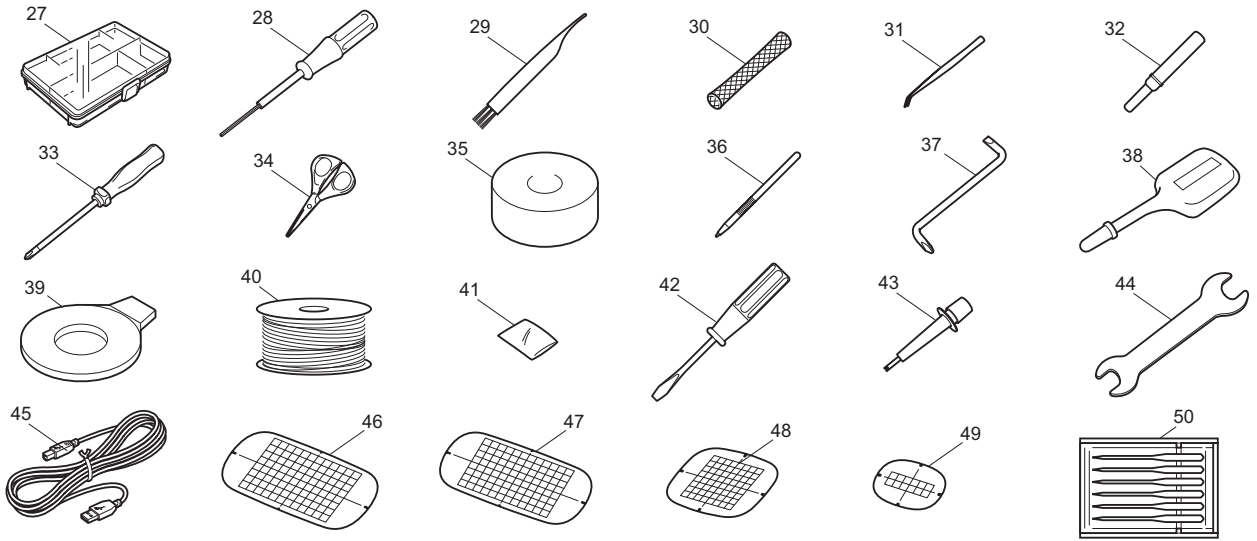
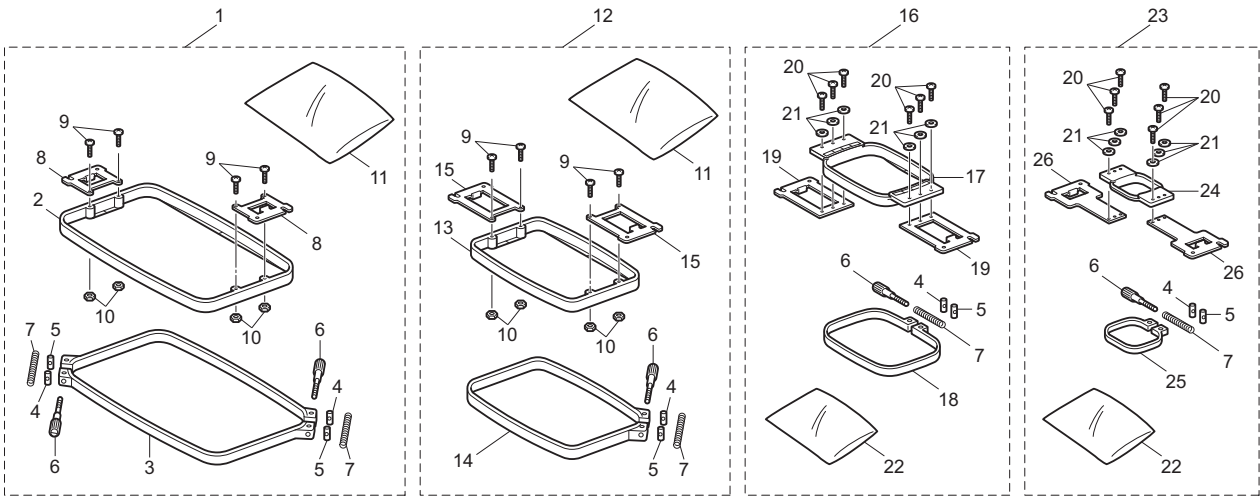
(12) UPPER THREADING MECHANISM

No.	CODE	NAME	R/H	REMARKS	No.	CODE	NAME	R/H	REMARKS
1	XC6350252	TENSION BASE			46	XC5962051	SPRING		
2	XC5905051	UPPER THREAD EYELET BASE			47	048015343	RETAINING RING, E1.5		
3	XG1127001	THREAD GUIDE COMPRESSION			48	XC5967052	CUTTER COVER ASSY		
4	XG1290001	SUB TENSION ASSY FOR 6			49	XC5972052	CUTTER COVER		
5	XC5907051	THREAD GUIDE TENSION PLATE			50	X80321001	NT LOWER THREAD CUTTER		
6	021300205	NUT, 2 M3			51	138384051	RETAINING RING, CS5		
7	XC5908151	INNER THREAD EYELET BASE			52	0A5300606	SCREW, PAN (S/P WASHER) M3X6		
8	XC5906051	THREAD GUIDE TENSION AXIS			53	085311016	TAPTITE, BIND B M3X10		
9	XZ0198051	BOBBIN WINDER COMPRESSION			54	XC5934051	THREAD GUIDE BACK COVER		
10	136681051	TAPTITE, BIND B M3X8			55	060260316	SCREW, BIND M2.6X3		
11	X59629051	TAPTITE, BIND B M3X10			56	0A5401006	SCREW, PAN (S/P WASHER) M4X10		
12	XC6164051	ASSY: HEAD PCB			57	XC5935051	STUD		
13	XC5911151	THREAD TENSION BRACKET			58	060400816	SCREW, BIND M4X8		
14	XC5914155	THREAD QUANTITY SENSOR COVER			59	XC5812051	PIPE BUSH A	H	
15	XC6167051	ASSY: TH SENSOR			60	XE8376001	O RING, P5	H	
16	XC6192051	FFC: SML2CD-H			61	XC7254051	WASHER		
17	XE8022001	THREAD QUANTITY SENSOR PRESSER			62	XC5938052	SPOOL STAND FRAME		
18	S36299001	TENSION DISC FELT	H		63	XC5939051	SPOOL STAND STUD		
19	XC7602000	ROTARY DISC ASSY B			64	XC5943051	STUD SCREW		
20	XC5915052	TENSION DISC PRESSER			65	XC5945051	SPRING WASHER		
21	XC6232051	TENSION SPRING	H		66	XC5946051	SPOOL STAND LINK		
22	S30564000	WASHER			67	XA9677051	WASHER		
23	XE8114004	TENSION NUT			68	048080343	RETAINING RING, E8		
24	XC6199051	LEAD WIRE ASSY: HEAD EARTH			69	XC5936051	SPOOL STAND BASE		
25	XC5917151	TENSION BASE BRACKET			70	XC5948051	SPACER		
26	XC5883051	COLOR SHEET R			71	XC5553051	THUMB BOLT M4 L		
27	XC5895051	COLOR SHEET L			72	XC5949051	SPOOL PIN		
28	XC6202051	BRACKET COVER			73	XC5950055	SPONGE		
29	085410816	TAPTITE, BIND B M4X8			74	XC5830051	ANTENNA E		
30	085411416	TAPTITE, BIND B M4X14			75	XC5812051	PIPE BUSH A		
31	XC7564051	SCREW, PAN (S/P WASHER) M3X6			76	XE8376001	O RING, P5		
32	XC5919053	TENSION AXIS CAP			77	048050343	RETAINING RING, E5		
33	XG8199001	TAKEUP LEVER COVER ASSY	R		78	XC6238051	ANTENNA SHAFT		
34	XC6001052	THREAD GUIDE COVER			79	XC6237151	ANTENNA D		
35	XC5921151	THREAD TAKE-UP BRACKET ASSY			80	XC5951051	ANTENNA C ASSY		
36	XC5925051	SPRING TAPE			81	060400616	SCREW, BIND M4X6		
37	XC6463051	THREAD CATCHING SPRING CASE			82	XC6236051	ANTENNA B		
38	XC5926051	THREAD TAKE-UP SPRING	R/H		83	XC6235051	ANTENNA A		
39	0A4300606	SCREW, PAN (S/P WASHER) M3X6			84	060300616	SCREW, BIND M3X6		
40	XC5929051	THREAD GUIDE WIRE	H		85	XE8971001	I THREAD EYELET BASE PLATE		
41	XC6234051	THREAD GUARD							
42	XC5930051	THREAD TENSION BRACKET BASE							
43	060300416	SCREW, BIND M3X4							
44	XE3394001	THREAD HOLDER BASE ASSY							
45	XC5947051	NEEDLE THREAD PRESSER PLATE							

(12) UPPER THREADING MECHANISM

Blank page

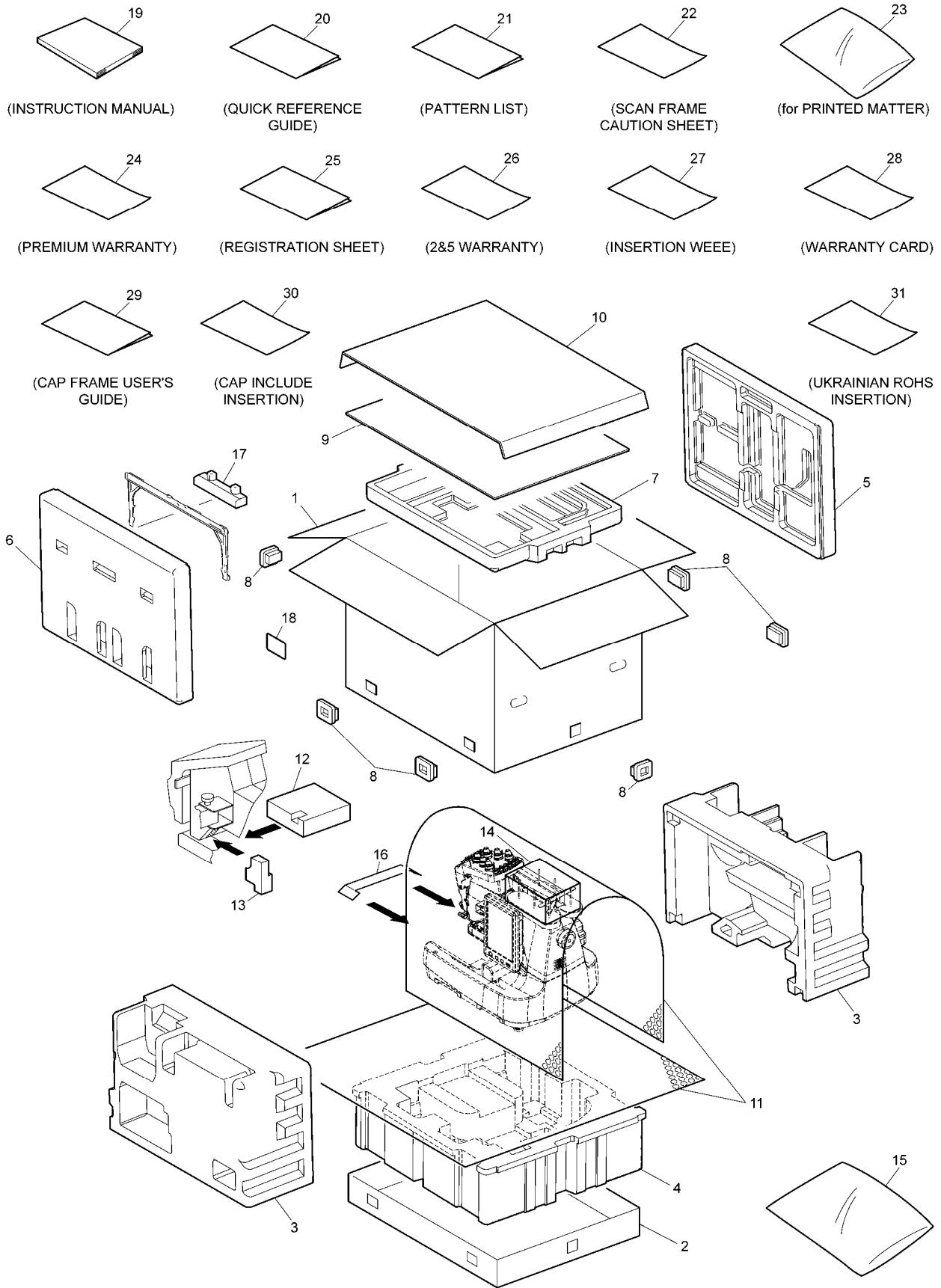
(13) ACCESSORY PARTS



(13) ACCESSORY PARTS

No.	CODE	NAME	R/H	REMARKS	No.	CODE	NAME	R/H	REMARKS
1	XC5954051	TUBULAR FRAME 30X20 ASSY			44	XC6159051	WRENCH 13X10		
2	XC5955051	TUBULAR FRAME 30X20 INNER			45	XD1851051	USB I/F CORE CABLE 3M		
3	XC5956151	TUBULAR FRAME 30X20 OUTER			46	XC5704051	EMBROIDERY SHEET 30X20 ASSY		
4	S32798001	COLLAR			47	XC5721051	EMBROIDERY SHEET 18X13 ASSY		
5	S32799001	NUT, M4			48	XC5759051	EMBROIDERY SHEET 10X10 ASSY		
6	XC5957051	SCREW, M4			49	XC5761051	EMBROIDERY SHEET 06X04 ASSY		
7	S36043000	SPRING, COMPRESSION 5.3X47.7			50	XC6469001	NEEDLE ASSEMBLY		
8	XC5958051	HOLDER 30X20			51	XC6499151	NEEDLE PLATE COVER		
9	062401416	SCREW, PAN M4X14			52	XC7134051	SPOOL FELT		
10	021400206	NUT, 2 M4			53	130012054	SPOOL PRESSER A		
11	X60224051	BAG 350X700H			54	XE7256001	POWER SUPPLY CORD: CSA-CORE (USA, CAN)		
12	XC5959051	TUBULAR FRAME 18X13 ASSY				XE7258001	POWER SUPPLY CORD:BS-CORE (UK&IRE, MYS, GUF)		
13	XC5960051	TUBULAR FRAME 18X13 INNER				XE7260001	POWER SUPPLY CORD:SAA-LF CORE (AUS&NZL)		
14	XC5961051	TUBULAR FRAME 18X13 OUTER				XG5349001	POWER SUPPLY CORD:BRZ-CORE (BRA)		
15	XC5963051	HOLDER 18X13				XE7261001	POWER SUPPLY CORD:IRAM-CORE (ARG)		
16	XC5964051	TUBULAR FRAME 10X10 ASSY				XE7262001	POWER SUPPLY CORD:CHN-CORE (CHN)		
17	XC5965051	TUBULAR FRAME 10X10 INNER				XF0757001	POWER SUPPLY CORD:KOR-CORE (KOR)		
18	XC5966051	TUBULAR FRAME 10X10 OUTER				XD0225051	POWER SUPPLY CORD:TWN (TWN)		
19	XC5968051	HOLDER 10X10				XE7257001	POWER SUPPLY CORD:CEE-CORE (OTHER)		
20	060300516	SCREW, BIND M3X5			55	XF2223001	TUBULAR ROUND ARMB SUPPLY ASSY		
21	025030236	WASHER, PLAIN M 3			56	XE7364001	TUBLAR ROUND ARM RB SET		
22	XZ0197051	BAG 180X470			57	XF2054001	TUBLAR ROUND ARM LB SET		
23	XC5969051	TUBULAR FRAME 06X04 ASSY			58	XC7076151	SPRING,PLATE		
24	XC5970051	TUBULAR FRAME 06X04 INNER			59	XC7644051	SCREW, PAM (S/P WASHER) M3X5		
25	XC5971051	TUBULAR FRAME 06X04 OUTER			60	XE7375001	SEAL		
26	XC5973051	HOLDER 06X04			61	XE7140001	GUIDE PLATE ASSY		
27	XC6482051	ACCESSORY CASE			62	XE7143101	SPRING PLATE		
28	XC5159051	HEXAGONAL DRIVER, 1.5			63	XF2055001	HOOP STAY B ASSY		
29	X59476051	CLEANING BRUSH			64	XF2047001	HOOP STAY B		
30	S34455000	NET, 160L			65	XE2270001	MAGNET		
31	XC6542051	PINCETTE			66	XE2271001	MAGNET HOLDER		
32	XF4967001	RIPPER ASSY			67	060300613	SCREW BIND M3X6		
33	XC6543051	SCREW DRIVER, 2X100			68	048030343	RETAINING RING E3		
34	XF2052001	SCISSORS			69	XC5816051	RUBBER		
35	XC5974151	BOBBIN TENSION GAUGE			70	0A5400806	SCREW PAN (S/P WASHER) M4X8		
36	XA9940051	TOUCH PEN			71	XE7146002	TUBULAR ARM COVER L2		
37	XC6545051	Z-TYPE SCREW-DRIVER, +-			72	XC5553051	THUMB BOLT M4 L		
38	XZ0206051	OILER B ASSY (USA, CAN, BRA, CHL, ARG, MYS, PRY)			73	XE7174002	TUBULAR ARM COVER R2		
	XG3677001	OILER SUPPLY ASSY (OTHER)			74	136681051	TAPTITE, BIND B M3X8		
39	XC1074051	DISC-SHAPED SCREWDRIVER			75	XE7415002	SEAL B		
40	XC6368051	BOBBIN			76	XC7150051	SHEET (PR670EC)		
41	X60838051	BAG, 70X110C							
42	X55468051	SCREW DRIVER S							
43	XF2212001	NEEDLE EXCHANGE TOOL							

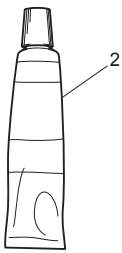
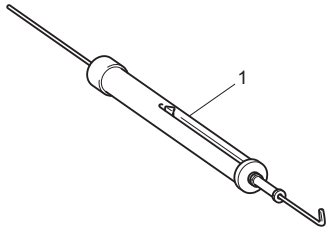
(14) PACKAGE / USER MANUAL



(14) PACKAGE / USER MANUAL

No.	CODE	NAME	R/H	REMARKS	No.	CODE	NAME	R/H	REMARKS
PACKING MATERIALS					27	XF0300101	INSERTION WEEE		
1	XG8198001	CARTON TOP:MODELPR670	R		28	XE7726101	WARRANTY CARD (CAN)		
2	XE7492001	CARTON BOTTOM	R		29	XC8943251	CAP FRAME USER'S GUIDE,ENG (PR670EC)		
3	XE7040101	POLYSTYRENE FOAM SUPPLY ASSY	R		30	XG9106001	CAP INCLUDE INSERTION (PR670EC)		
4	XC5797350	POLYSTYRENE FOAM PAD BOTTOM	R		31	XE9897001	UKRAINIAN ROHS INSERTION (RUS)		
5	XC5825350	POLYSTYRENE FOAM PAD SIDE	R						
6	XG8168001	POLYSTYRENE FOAM PAD SIDE R							
7	XC6452150	POLYSTYRENE FOAM PAD TOP	R						
8	XC5848051	JOINT							
9	XC5867050	PAD D	R						
10	XC5932050	CARTON PAD D	R						
11	XC6459051	SHEET, 1400X2000							
12	XC6585350	POLYSTYRENE FOAM PAD FOOT	R						
13	XC7140150	HOOK SUPPORT SF	R						
14	XC7154050	ANTENNA PROTECT PAD	R						
15	X60224051	BAG, 350X700H							
16	XE7435001	X CARRIAGE PAD	R						
17	XG5219001	POLYSTYRENE FOAM PAD SIDE B	R						
18	XC6557051	C STICKER (PR670EC: BRA,CHL,TUR)							
PRINTED MATTER									
19	XG8257101	INSTRUCTON BOOK ENG (English)	R						
	XG8258101	INSTRUCTON BOOK SPA (Spanish)	R						
	XG8261001	INSTRUCTON BOOK GER (German)	R						
	XG8260001	INSTRUCTON BOOK FRE (French)	R						
	XG8262001	INSTRUCTON BOOK DUT (Dutch)	R						
	XG8263001	INSTRUCTON BOOK ITA (Italian)	R						
	XG8264001	INSTRUCTON BOOK NEU/EEU (Danish/Swedish/Czech/Hungarian/Polish)	R						
	XG8267001	INSTRUCTION BOOK RUS (Russian)	R						
	XG8266001	INSTRUCTON BOOK BP (Portuguese)							
	XG8269001	INSTRUCTION BOOK SC (Chinese)							
	XG8271001	INSTRUCTION BOOK KOR (Korean)							
	XG8268001	INSTRUCTION BOOK ARB (Arabic)							
	XG8270001	INSTRUCTION MANUAL TC (TWN: Chinese)							
20	XG8272001	QUICK REFERENCE GUIDE US/EU							
21	XG8276001	PATTERN LIST US/EU							
	XG8278001	PATTERN LIST NEU/EEU							
	XG8280001	PATTERN LIST ASIA							
22	XG8290001	ACC CAUTION SHEET							
23	XA0188050	BAG 260X375HC							
24	XF2705201	PREMIUM WARRANTY FOR US (USA)							
25	XE9639001	REGISTRATION SHEET (USA)							
26	XF6323101	2&5 WARRANTY FOR US (USA)							

SPARE PARTS



SPARE PARTS

No.	CODE	NAME	REMARKS
GAUGE			
1	XC2277001	PUSH PULL GAUGE	
GREASE, OIL			
2	XC8385001	MOLYKOTE EM30L	
3	XC8387001	EPNOC AP (N) 0	
4	XC8386001	MOLYKOTE M DISPERSION * (EXCEPT USA)	
5	XC8388001	FBK OIL RO 100	
6	XG3677001	OILER SUPPLY ASSY (EUROPE)	
	XZ0206051	OILER B ASSY (OTHER)	

<p>* USA must purchase in the US. (It's not listed on the TSCA).</p>
--

brother