



MT3/MT4 Series

PARTS BOOK

Version: B11000V1

THINK BEYOND

INDEX

01.FRAMING

3

02.MAIN SHAFT DRIVE STSTEM

5

03.CYLINDER BED

7

04.ARM

11

05.NEEDLE BAR CASE

15

06.COLOR CHANGE SYSTEM

19

07.CUTTING SYSTEM

21

08.Y-AXIS DRIVE SYSTEM

25

09.X-AXIS DRIVE SYSTEM

27

10.THREAD STAND

29

11.TENSION BASE

33

12.ELECTRICAL PARTS

39

13.BORDER FRAME

43

14.HAT FRAME

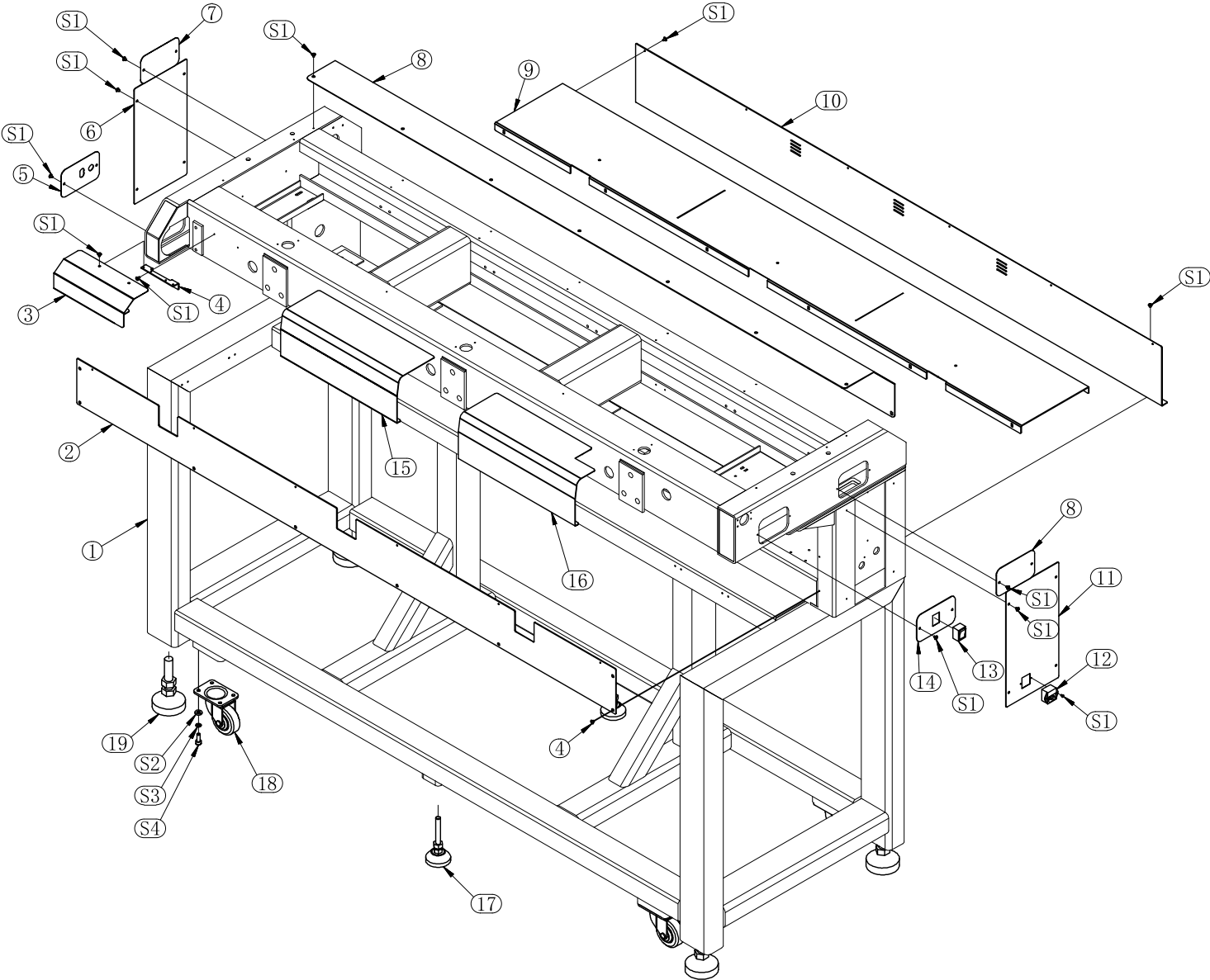
45

15.TABLE

47

01.FRAMING

B11010V1



01.FRAMING

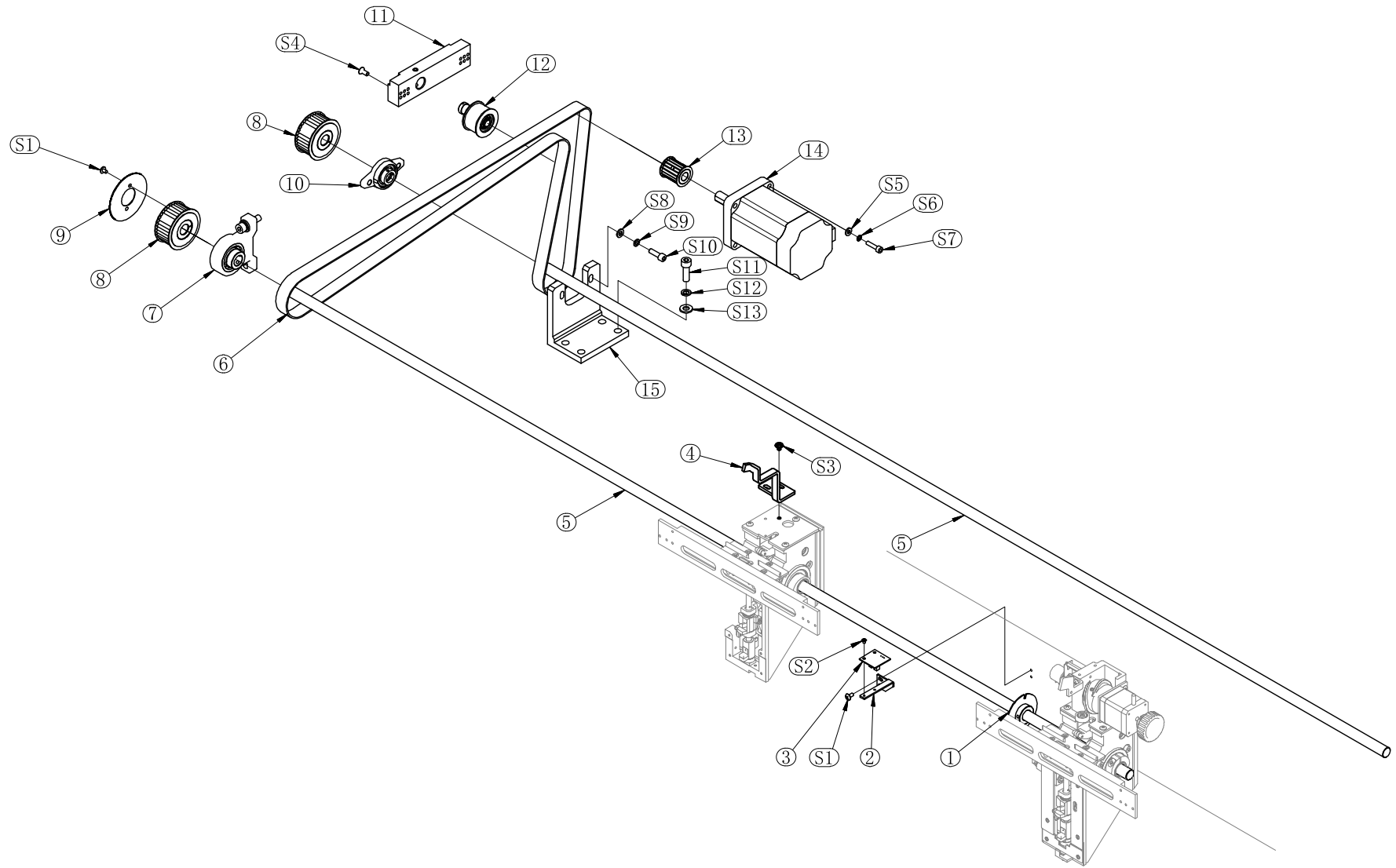
B11010V1

No.	Serial No.	Part name	Remark
1	3011100103	Upper Rack-MT-3T	
1	3011100104	Upper Rack-MT-4-400	
2	3011101503	Lower Cover Of Shuttle Box-MT-3T	
2	3011101504	Lower Cover Of Shuttle Box-MT-4T-400	
3	3011100311	Upper Shaft Housing-MT-L	
4	3011100310	Bracket-Upper Shaft Housing-MT	
5	3011100304	Upper Cover At Rack Side B-MT	
6	3011100302	Cover At Both Sides Of Rack-MT	
7	3011100303	Upper Cover At Rack Side A-MT	
8	3011101303	Rear Upper Cover-MT-3T	
9	3011101203	Upper Cover-Lower Arm-MT-3T	
9	3011101204	Upper Cover Of Shuttle Box-MT-4T	
10	3011101403	Rear Vertical Cover-MT-3T	
11	3011100301AA	Cover Of Rack Both Sides-Power Supply-MT	
12	03150602	Power Connection Socket	
13	03150603	Power Switch	
14	3011100305	Upper Cover Of Rack Side C-MT	

No.	Serial No.	Part name	Remark
15	3011100334	Cover-C12-605-A	
15	3011100335	Cover-C15-605-A	
15	3011100336	Cover-C20-605-A	
15	01227154	Arm Cover-191	
15	01227197	Arm Cover-138	
16	3011100331	Needle Bar Case Cover-C12-605	
16	3011100332	Needle Bar Case Cover-C15-605	
16	3011100333	Needle Bar Case Cover	
16	01227151	Arm Cover-191	
16	01227191	Arm Cover-138	
17	80270912	Universal Feet-Anti-Skiding Rubber-D60-M12X100	
18	80270301	Trundle-75	
19	80270920	Adjustable Foot Cup-Non-Slip Rubber-D80-M20X100	
S1	80746406	Screw M4*6	
S2	80900801	M8 Plain Washer	
S3	80900818	M8 Spring Shim-Stainless Steel	
S4	80813816	M8X16 Cheese Head Hexagon Socket- Stainless Steel	

02.MAIN SHAFT DRIVE SYSTEM

B11020V1



02.MAIN SHAFT DRIVE STSTEM

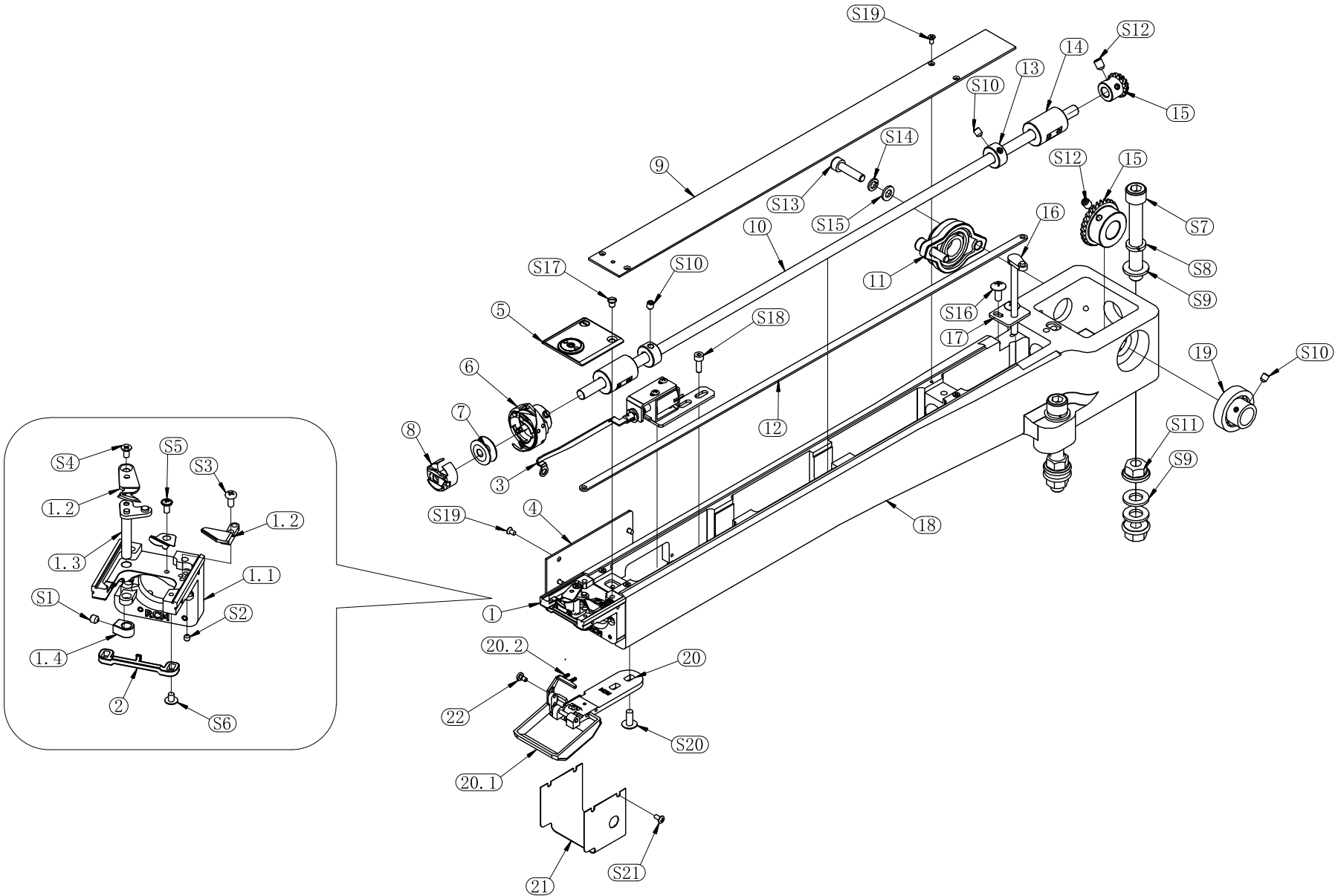
B11020V1

No.	Serial No.	Part name	Remark
1	03041207	Zero Position Baffle	
2	03041208	Zero Postion Sensor Bracket	
3	03150810MT	Zero Position Sensor-MT	
4	01293850	Thread Break Detection Sensor Bracket-MT2	
5	3011206003	Upper shaft-15-1600	
6	80025152	Synchronous Belt 5M-20-1690	
7	02311181	Bearing Base 42-H45	
8	3011200192VA	Timing Belt-Upper Below Shaft-MT	
9	3011200130	Dial-MT	
10	01400660	Trimming Box Bearing Assembly-SY	
11	3011200101	Spindle Tensioning Wheel Support	
12	3011200110	Tensioning Wheel-MT-Spindle	
13	3011200193VA	Timing Belt-Main Motor-MT	
14	80310731	Brushless Servo Motor-80SF3A100-330-1000Z-18-02	

No.	Serial No.	Part name	Remark
15	3011201101	Bearing Base-MT-Lower Shaft	
S1	80746406	Screw M4*6	
S2	80742308	M3X8 Screw	
S3	80746408	Screw M4*8	
S4	80866512	Screw M5X12	
S5	80900501	M5 Plain Washer	
S6	80900518	M5 Spring Washer	
S7	80810520	M5X20 Hexagon Socket Head	
S8	80900601	M6 Plain Washer	
S9	80900618	M6 Spring Washer	
S10	80810622	M6X22 Cylinder Head Hexagon - Black	
S11	80810825	Hexagon Socket Head Cap Screw M8X25- Black	
S12	80900818	M8 Spring Shim-Stainless Steel	
S13	80900801	M8 Plain Washer	

03.CYLINDER BED

B11030V1



03.CYLINDER BED

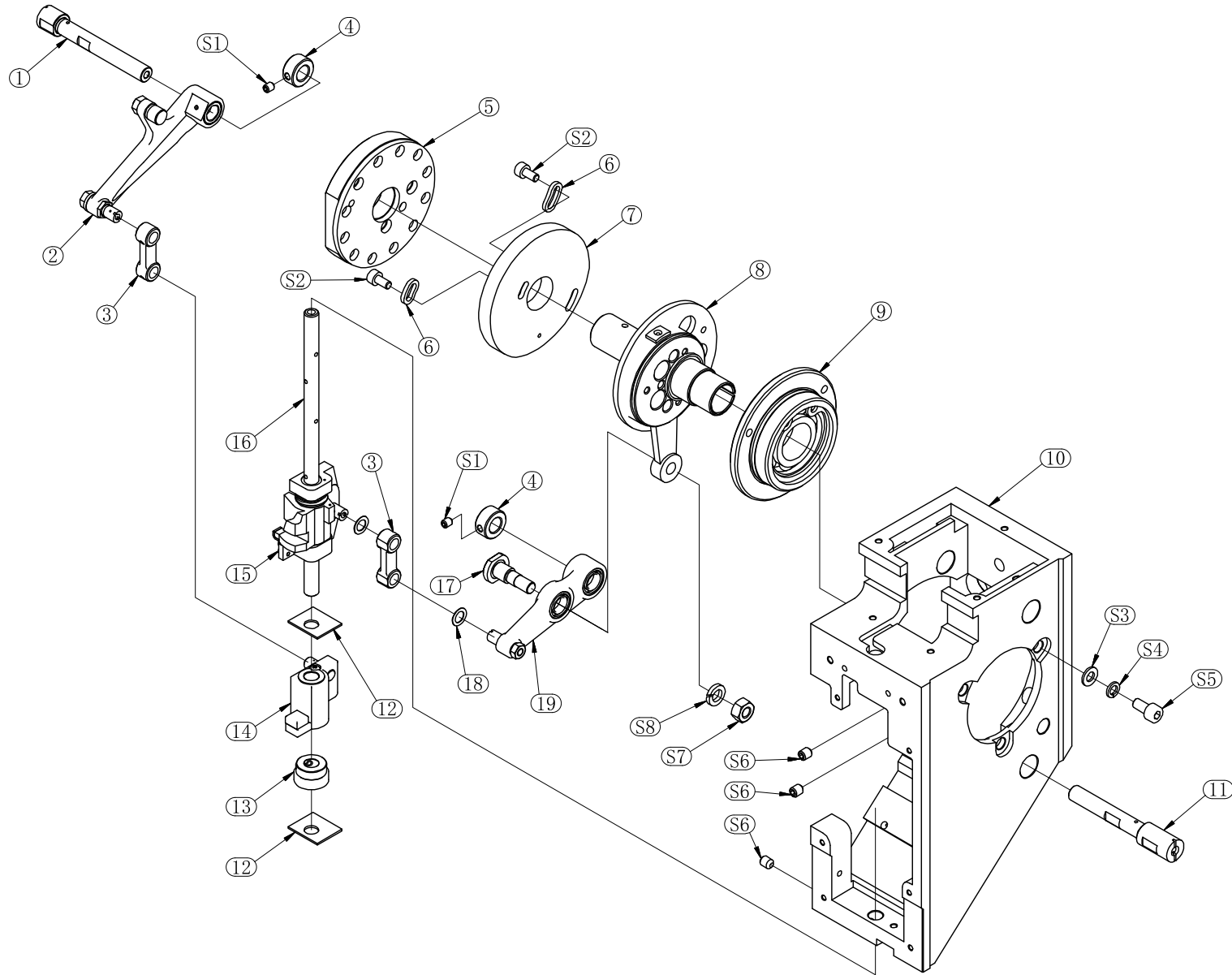
B11030V1

No.	Serial No.	Part name	Remark
1	02101660	Needle Plate Base Assembly-SR-C	
1.1	02101601	Needle Plate Base-SR-C	
1.2	02101282	Scissors Kit	
1.3	02010667	Movable Knife Driving Rod Component-SY	
1.4	03021232	Movable Knife Driving Rod Chuck	
2	03021322	Rotary Position Hook	
3	02010665VB	Picker Solenoid Set-MT	
4	02010621	Picker Side Cover Plate - SY	
5	02101611VA	Needle Plate -SR-C-H	
6	80620291	Rotary Hook-KHS12-RYP	
7	80620302	Bobbin	
8	80620301	Bobbin Case	
9	3011150113	Upper Cover-Shuttle Box-MT	
10	3011150132	Rotary Hook Shaft-MT-541	
11	80039011	Bearing Uf1002	
12	3011150141	Trimming Pull Rod-MT	
13	02010633	Baffle Ring Of Rotating Shuttle Box - SY	
14	02101131	Lower Shaft Arm Shaft Sleeve	
15	01030171	Bevel Gear Kit	
16	3011150140	Trimming Rotating Rod-Shuttle Box-MT	
17	3011150146	Mounting Plate-Trimming Driving Bar-MT	
18	3011150102	Iron Casting Shuttle Box-MT	
19	80031522	Bearing-60/15-15*35*19	
20	02101661	Picker Assembly-SR-C	
20.1	02101622	Front Cover-SR-C	

No.	Serial No.	Part name	Remark
20.2	02010624	Picker-SY	
21	02101621	Needle Plate Cover-SR-C	
22	02010625	Picker Rod Screw-SY	
S1	80880404	M4X4 Screw	
S2	80880304	Hexagon Socket Set Screw M3X4- Black	
S3	80740306	Screw M3*6-Small Head Philips	
S4	80860326	M3*6 Flat Head Philips Screw	
S5	80742304	M3X4 Screw	
S6	80740306	Screw M3*6-Small Head Philips	
S7	80811045	Hexagon Socket Head Cap Screw M10*45- Black	
S8	80901013	M10 Spring Cushion-Black	
S9	80901002	Flat Washer M10	
S10	80880506	M5*6 Hexagon Socket Set Screw	
S11	80901031	Flange Nut M10	
S12	80880608	M6X8 Hexagon Socket Set-Black	
S13	80810625	M6X25 Cylinder Head Hexagon - Black	
S14	80900613	M6 Spring Washer - Black	
S15	80900601	M6 Plain Washer	
S16	80746408	Screw M4*8	
S17	80924131	Counter Bore Slotted Screw 11/64 X 6	
S18	80810412	M4X12 Cylinder Head Hexagon - Black	
S19	80860326	M3*6 Flat Head Philips Screw	
S20	80746512	M5X12 Screw	
S21	80746304	Screw M3*4	

04.ARM

B11041V1



04.ARM-1

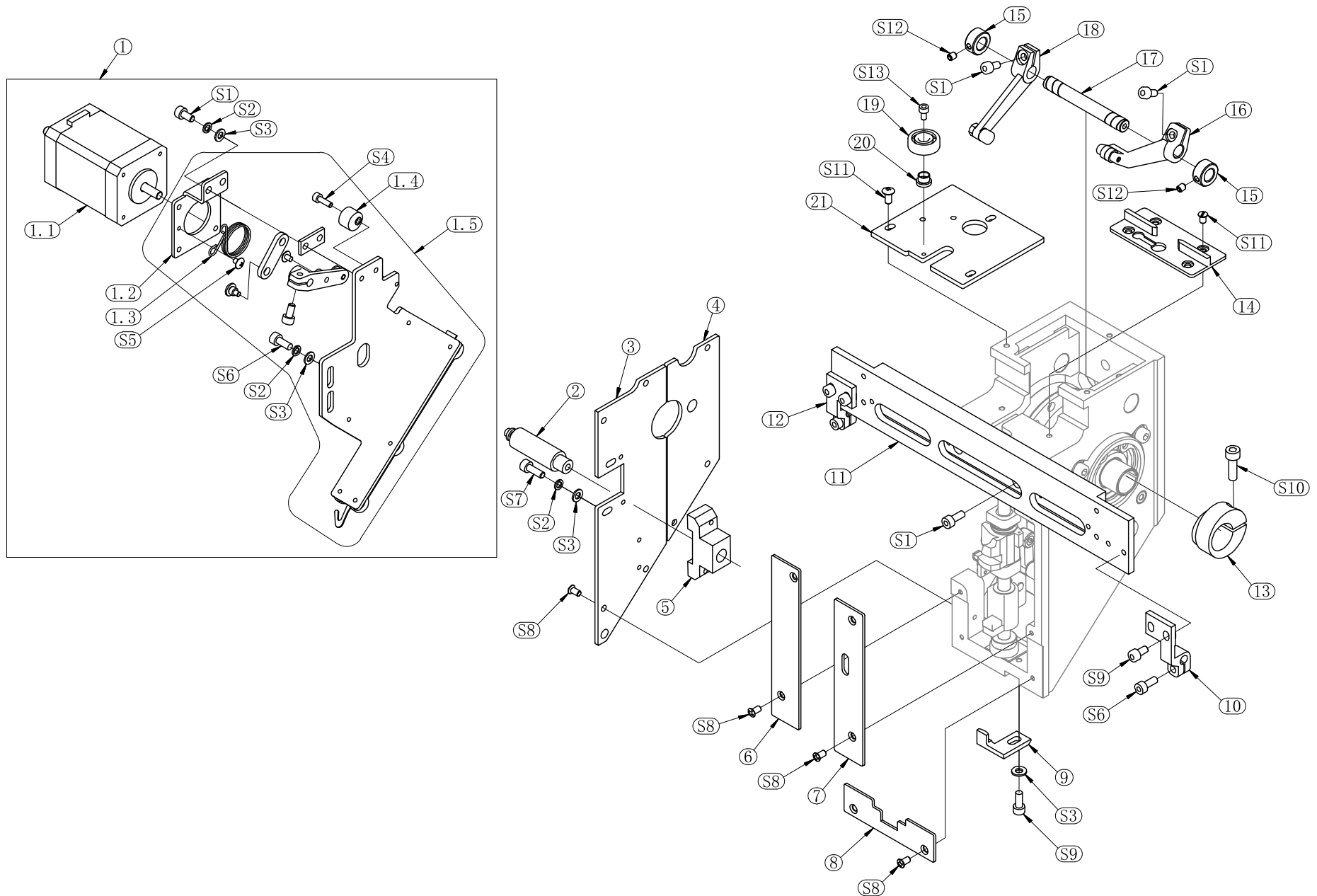
B11041V1

No.	Serial No.	Part name	Remark
1	01212123	Presser Foot Driver Pin Shaft- Double Cam	
2	01212262	Presser Foot Rod-Double Cam	
3	01212109	Connecting Rod-High Speed Head	
4	01202204	Baffle	
5	01212271	Presser Foot Cam + AI Ring + AI Base	
6	01201302	Cam Washer A	
7	01212404DY	Thread-Taking-Up Nylon Cam-Single Cam And Double Driver-15 Shafts	
8	01212464	Large Connecting Rod-4Pcs-15 Shafts	
9	01201160	Bearing Base-6004 Bearing	
10	01210101DX	High Speed Head Box	
11	01212305	Three-Eye Rod Pin-Double Cam	
12	01212310	Felt Pad-High Speed Head	
13	01202291	Driving Shaft Ring Kit	
14	01212260DX	Presser Foot Driving Block Assembly-DX	

No.	Serial No.	Part name	Remark
15	01212073	Needle Bar Driver-High Speed-Solenoid-Double Cam	
16	01212306	Head Driving Shaft- High Speed Head	
17	01212161DX	Three-Eye Connecting Rod Assembly - High Speed	
18	80900619	Plain Washer	
19	01212305	Three-Eye Rod Pin-Double Cam	
S1	80880405	M4*5 Hexagon Socket Set Screw	
S2	80810408	M4X8 Screw	
S3	80900501	M5 Plain Washer	
S4	80900518	M5 Spring Washer	
S5	80810510	M5X10 Cylinder Head Hexagon - Black	
S6	80880506	M5*6 Hexagon Socket Set Screw	
S7	80900628	Nut M6 - Stainless Steel	
S8	80900618	M6 Spring Washer	

04.ARM-2

B11042V1



04.ARM-2

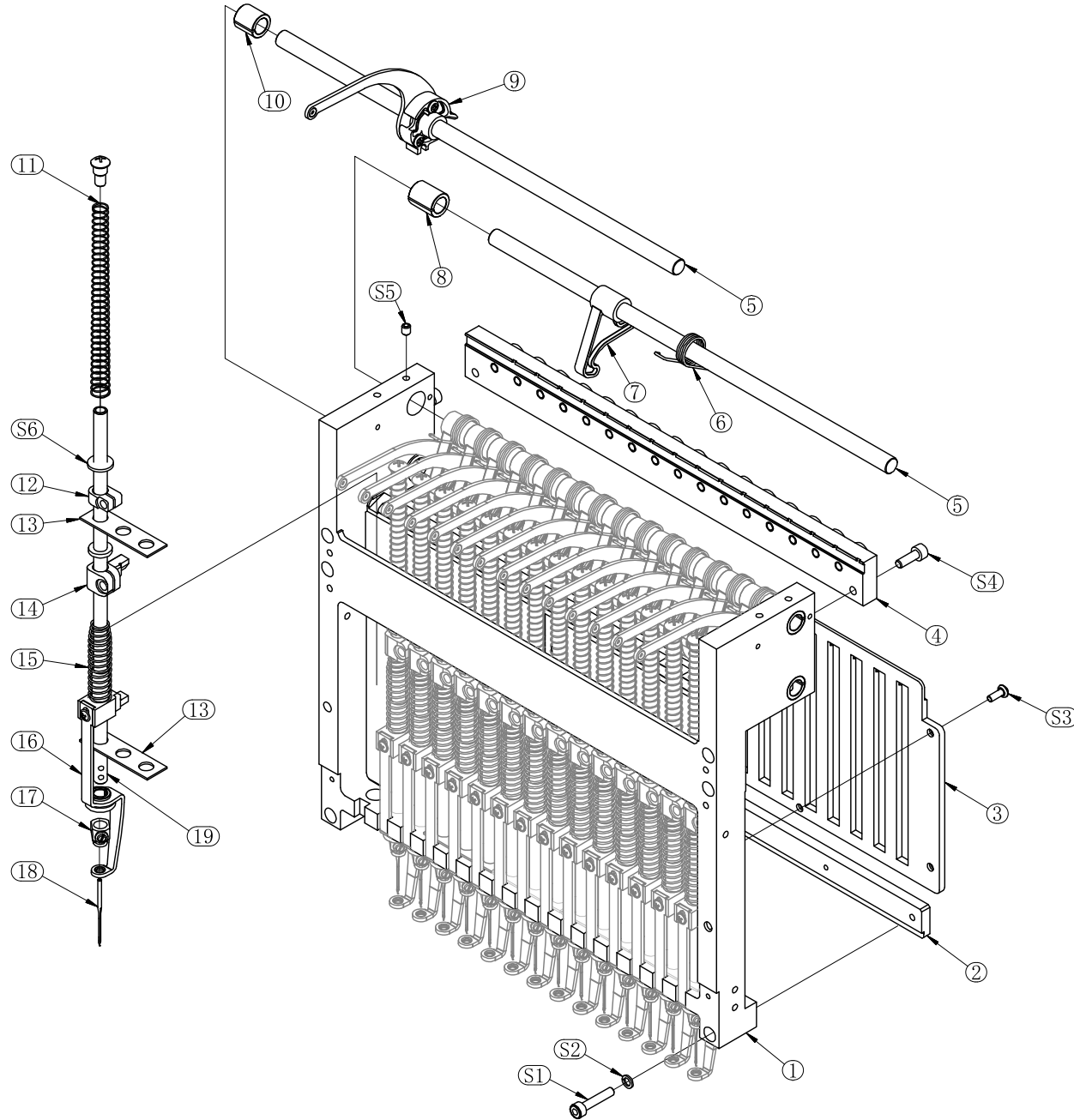
B11042V1

No.	Serial No.	Part name	Remark
1	01431281	Thread Hooking Device-Step-Wide Machine Head	
1.1	80304263	Stepping Motor 42H62-D5	
1.2	03040602	Hook Motor Base	
1.3	03040604	Driving Arm Resetting Spring	
1.4	03040605	Silencer Block	
1.5	01431280	Thread Hooking Device-Wide Machine Head-Without Motor	
2	80320201	Jumping Solenoid	
3	01211010	High-Speed Head Plate B - Solenoid	
4	01211009	High-Speed Head Plate A	
5	01212502	Jumping Solenoid Base – High Speed	
6	01211008DX	Front Left Cover Plate - High Speed Head	
7	01211007DX	Front Right Cover Plate - High Speed Head	
8	01211011	Front Lower Cover Plate - High Speed Head	
9	01210122	Positioning Hook-Lower Guide Rail-High-YJ	
10	01213130	Color Changing Support Chuck – R – High Speed Head	
11	80013121	Bead Frame Guide Rail–12 Needles (-251/205)	
11	80013122	Bead Frame Guide Rail–15 Needles (-303/250)	
11	72410111-20	Head Guide Rail-Multi-Head-Rp-20 Needles	
12	01213131	Color Changing Support Chuck – L – High Speed Head	
13	01201105	Cam Clip Bushing	
14	01213308	Take-Up-Lever Guide Plate – Aluminum 104	

No.	Serial No.	Part name	Remark
15	01202204	Baffle	
16	01212165DX	Take-Up Connecting Rod Assembly B	
17	01212307DX	Take-Up Lever Pin (Φ8X65)	
18	01212163DX	Take-Up Connecting Rod Assembly A	
19	80030722	19-7-6 Bearing	
20	01293840	Pin-Changing Color Bearing-MT	
21	4005230000	Upper Head Cover-C	
S1	80810410	M4*10 Hexagon Socket Caphead Screw	
S2	80900418	M4 Spring Washer	
S3	80900401	M4 Plain Washer	
S4	80810312	M3X12 Cylinder Head Hexagon - Black	
S5	80746303	Screw M3X3	
S6	80813406	M4*6 Hexagon Socket Caphead Screw	
S7	80813412	M4*12 Hexagon Socket Caphead Screw	
S8	80860406	M4X6 Screw	
S9	80810408	M4X8 Screw	
S10	80810510	M5X10 Cylinder Head Hexagon - Black	
S11	80746408	Screw M4*8	
S12	80880404	M4X4 Screw	
S13	80810306	M3X6 Cylinder Head Hexagon - Black	

05.NEEDLE BAR CASE-1

B11051V1



05.NEEDLE BAR CASE-1

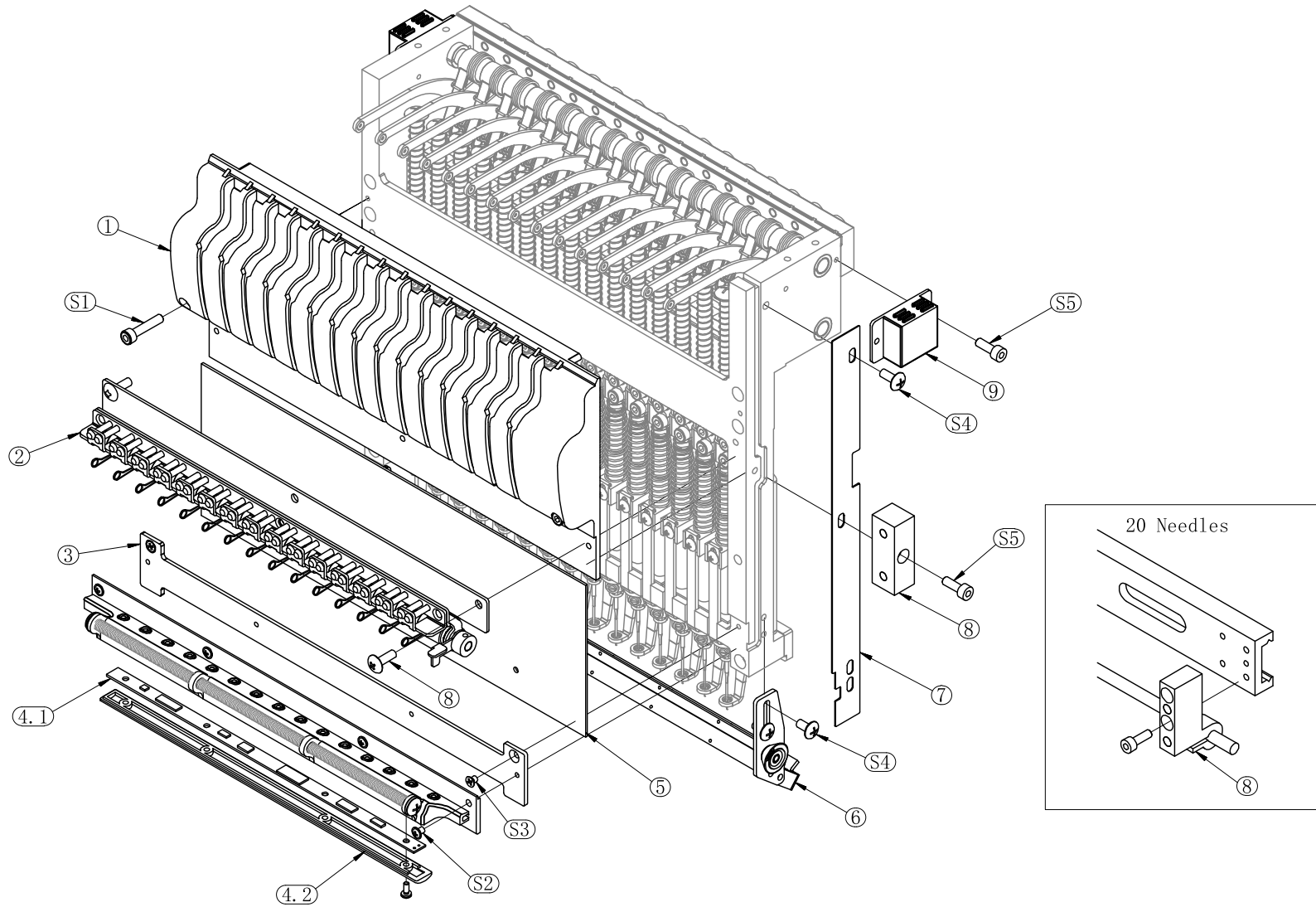
B11051V1

No.	Serial No.	Part name	Remark
1	01213145	Needle Bar Case-CT-High-12	
1	01213185	Needle Bar Case-CT-High-15	
1	4006012000	Needle Bar Case-20 Needles	
2	01213115	Lower Guide Rail-12-High Speed	
2	01213116	Lower Guide Rail-15-High Speed	
2	72410121-20	Lower Guide Rail-Ra-20 Needles	
3	03081301	Needle Bar Guide Plate-12	
3	03081311	Needle Bar Guide Plate-15	
3	03081322	Strengthened Bracket-Guide Board-20N	
4	03081212VA	Color Change Plate-Shaft Style-12	
4	03081215VA	Color Change Plate-Shaft Style-15	
4	03081220	Color Change Plate-Shaft Style-20	
5	01221532	Take-Up Shaft - 12	
5	01221533	Take-Up Shaft - 15	
5	72100206-20	Take-Up Lever Shaft D10x340	
6	03081503VA	Fixed Block Torsional Spring	
7	03081502	Take Up Lever Positon Block	
8	03081505	Take-Up Shaft Block-15	

No.	Serial No.	Part name	Remark
9	03081591	Take Up Lever Module	
10	03081506	Take-Up Shaft Block-12	
11	03080102	Needle Bar Spring-P	
12	01222105	Upper Dead Point Clamp	
13	01221606	3-Hole Felt-1	
14	01222106	Needle Bar Connecting Pin	
15	03080108	Presser Foot Spring-P	
16	03080181	Adjustable Presser Foot with Bushing	
17	01222183AA	Needle Clamp Screw-Hexagon Socket Head	
18	80621111	Needle-DBXK5-11	
19	03080160	Needle Bar-217	
S1	80810420	M4X20 Cylinder Head Hexagon - Black	
S2	80900413	M4 Spring Washer - Black	
S3	80740306	Screw M3*6-Small Head Philips	
S4	80810412	M4X12 Cylinder Head Hexagon - Black	
S5	80880405	M4*5 Hexagon Socket Set Screw	
S6	80900603	Flat Washer - M6	

05.NEEDLE BAR CASE-2

B11052V1



05.NEEDLE BAR CASE-2

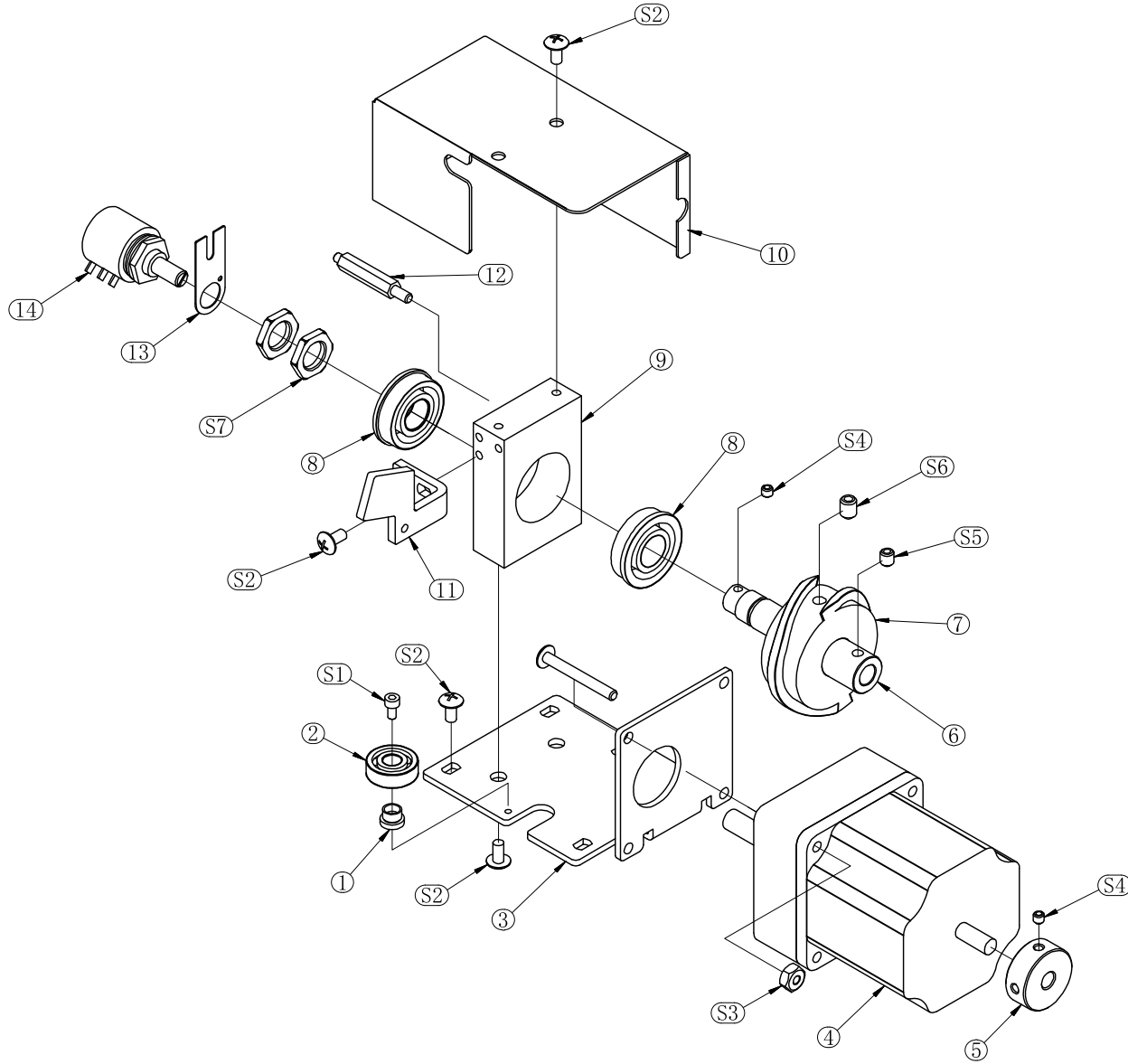
B11052V1

No.	Serial No.	Part name	Remark
1	72011212-RH	Upper Arc-Shape Plate-12 Needles-Dark Grey	
1	72011215-RH	Upper Arc-Shape Plate-15 Needles-Dark Grey	
1	72211220	Middle Threading Module-20 Needles	
2	72012161-12	Middle Take Up Thread Guide-12	
2	72012161-15	Middle Take Up Thread Guide-15	
3	03090412	Middle Thread Course Components-12 Needles-3 Hole	
3	03090415	Middle Thread Course Components-15 Needles-3 Hole	
4.1	03090512	Light Board-LED-12-P	
4.1	03090515	Light Board-LED-15-P	
4.1	03090520	Light Plate-LED-20N	
4.2	03090212	Lighting Cover-Below Thread Guid-LED-12	
4.2	03090215	Lighting Cover-Below Thread Guid-LED-15	
4.2	03090220	Light Cover-20N	
5	01221312	Needle Bar Front Below Board-LED-12 Needles-C/MT	
5	01221315	Needle Bar Front Below Board-LED-15 Needles-C/MT	

No.	Serial No.	Part name	Remark
5	03081321	Front Lower Plate-Needle Bar Case-20N	
6	72100180-12	Thread Clamp-RD-12	
6	72100180-15	Thread Clamp-RD-15	
6	72100180-20	Thread Clamp-RD-20	
7	03090722	MT Side Plate-LED-2T	
7	03090712	Side Press Board-LED-P-20N	
8	01227103	Magnetic Block-AI	
8	01213106	Chuck-Color Change Pull Rod	
9	01227104	Door Stopper	
S1	80813425	M4*25 Hexagon Socket Caphead Screw	
S2	80742304	M3X4 Screw	
S3	80860304	M3*4 Flat Head Philips Screw	
S4	80746408	Screw M4*8	
S5	80813412	M4*12 Hexagon Socket Caphead Screw	

06.COLOR CHANGE SYSTEM-1

B11061V1



06.COLOR CHANGE SYSTEM-1

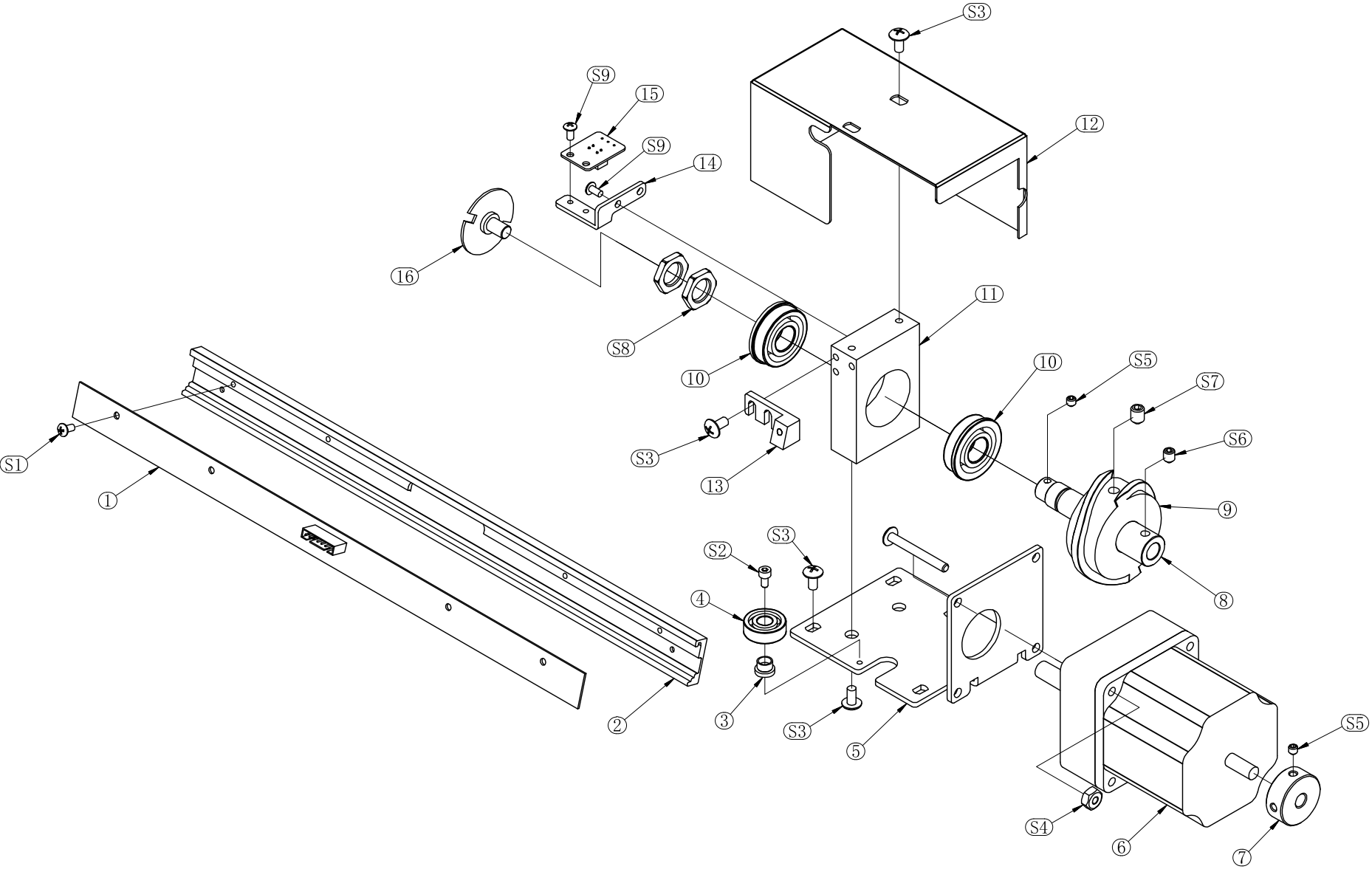
B11061V1

No.	Serial No.	Part name	Remark
1	01293840	Pin-Changing Color Bearing-MT	
2	80030722	19-7-6 Bearing	
3	01293826	Cam Color Changing Motor Base -57	
4	80305771	Reduction Stepping Motor - -57-56	
5	01293306	Color-Change Button	
6	01293828	Color Changing Cam Shaft-57	
7	01293812	Color Changing Cam - Double Track – Card Type	
8	80031224	Roller Bearing F 12 X 28 X 8	
9	01293827	Bearing Base-Cam	
10	3011100341	Cover-Color Change-MT	
11	01293851	Thread Break Detection Sensor Bracket	

No.	Serial No.	Part name	Remark
12	03040509	Potentiometer Fixed Bolt	
13	03040510	Potentiometer Support Plate	
14	03150833	Multi-Turn Potentiometer	
S1	80810308	M3X 8 Cylinder Head Hexagon - Black	
S2	80746408	Screw M4*8	
S3	80900428	M4 Nut	
S4	80880404BA	M4*4 Hexagon Socket Set Screw	
S5	80880504	M5X4 Screw	
S6	80880608	M6X8 Hexagon Socket Set-Black	
S7	01293836	Nut--M12X1X3	

06.COLOR CHANGE SYSTEM-2

B11062V1



06.COLOR CHANGE SYSTEM-2

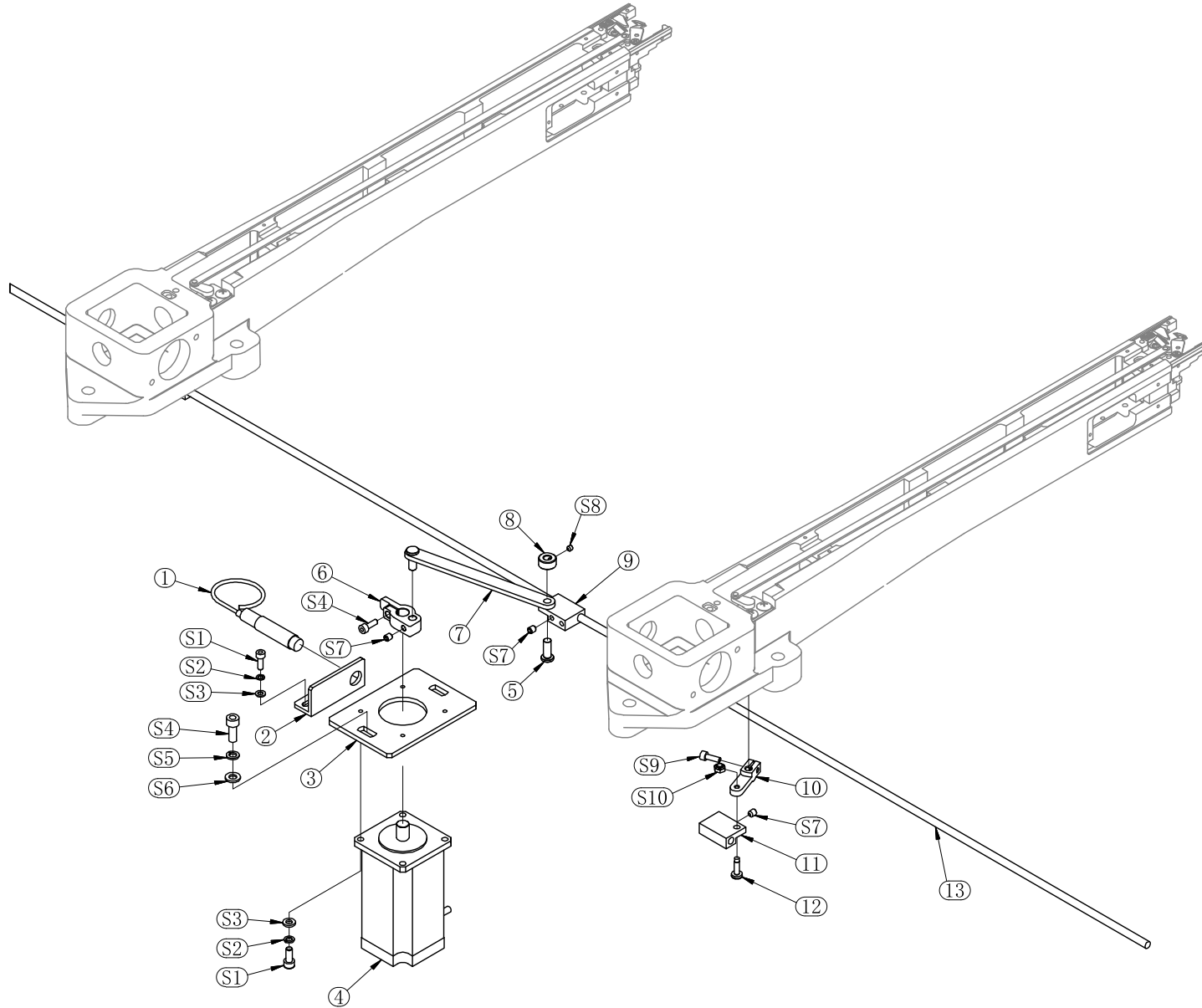
B11062V1

No.	Serial No.	Part name	Remark
1	03150834	Needle Position Detection Board-C-20N	
2	03150835	Mount Base-Needle Position Detection Board-20N	
3	01293840	Pin-Changing Color Bearing-MT	
4	80030722	19-7-6 Bearing	
5	01293826	Cam Color Changing Motor Base -57	
6	80305771	Reduction Stepping Motor - -57-56	
7	01293306	Color-Change Button	
8	01293828	Color Changing Cam Shaft-57	
9	01293812	Color Changing Cam - Double Track – Card Type	
10	80031224	Roller Bearing F 12 X 28 X 8	
11	01293827	Bearing Base-Cam	
12	3011100342	Color Change Cover - Dual Bearing 57	
13	03040543	Needle Position Magnet Base-Hall	

No.	Serial No.	Part name	Remark
14	03040514	Sensor Bracket-Half Turn-20N	
15	3006152104A	Sensor Board-Zero Position-Color Change-20N	
16	03040515	Half Turn Baffle-20N	
S1	80740304	Screw M3*4-Small Head Philips	
S2	80810308	M3X 8 Cylinder Head Hexagon - Black	
S3	80746408	Screw M4*8	
S4	80900428	M4 Nut	
S5	80880404BA	M4*4 Hexagon Socket Screw	
S6	80880504	M5X4 Screw	
S7	80880608	M6X8 Hexagon Socket Set-Black	
S8	01293836	Nut--M12X1X3	
S9	80740306	Screw M3*6-Small Head Philips	

07.CUTTING SYSTEM

B11070V1



07.CUTTING SYSTEM

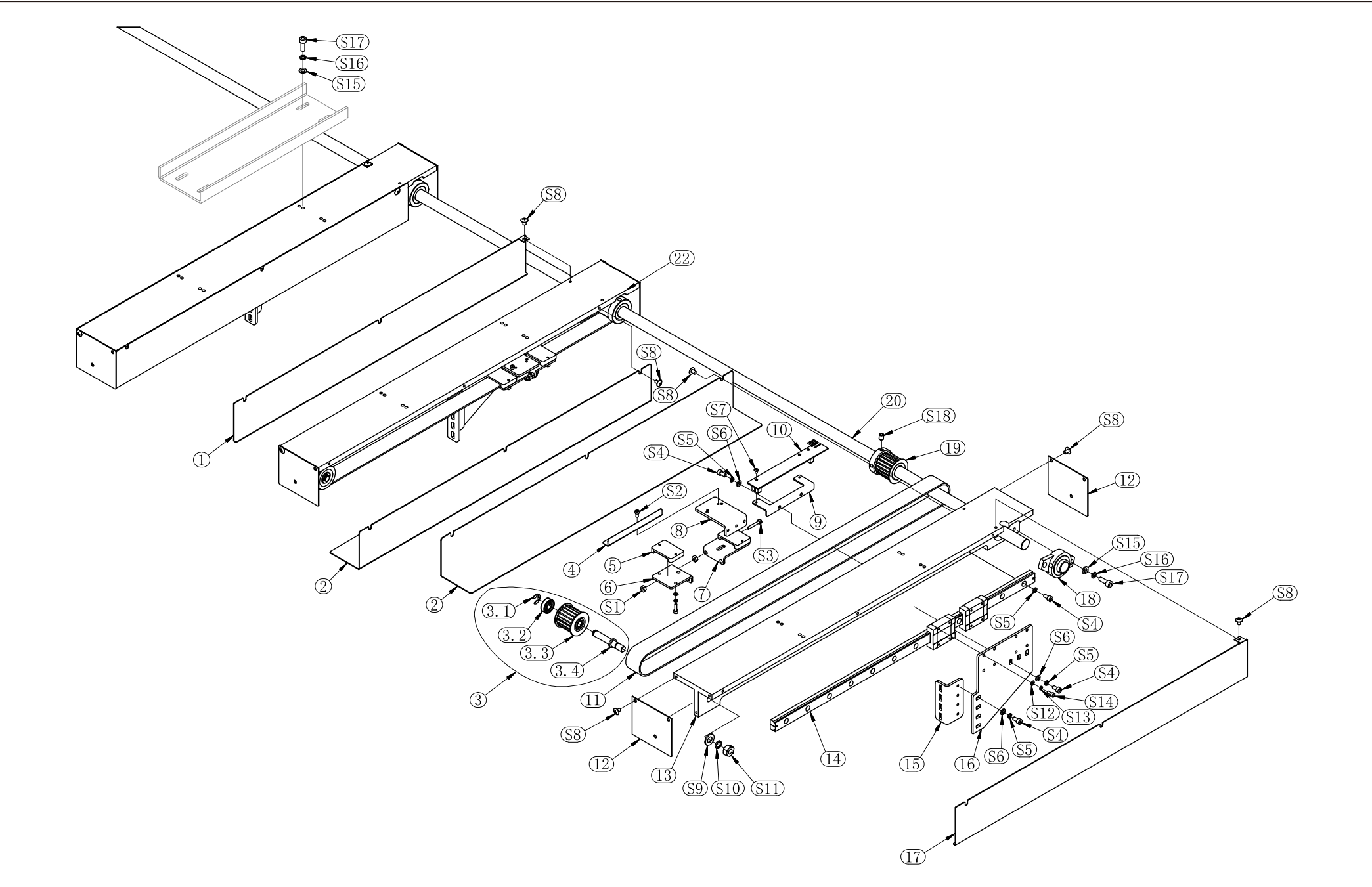
B11070V1

No.	Serial No.	Part name	Remark
1	03154453	Cylinder Proximity Switch NPN-MT2	
2	01400105	Support Of Thread Trimming Proximity Switch	
3	01400121	Trimming Motor Base - 57	
4	80305761	Hooking Motor 57BYGH80D10-15	
5	01430504	Thread Hooking Driving Arm Pin - 16	
6	01400103MT	Trimming Arm-8	
7	3011150142	Trimming Linkage-MT2-Distance Between Holes 126	
8	01430509	Shaft Checking Ring-6	
9	01400109MT	Rod Connecting Joint-MT	
10	01400311	Moving Cutter Rod Chuck	
11	01400109	Actuating Arm Connection Chuck	
12	80924212	Shaft Shoulder Screw M4*13-5*5.5	

No.	Serial No.	Part name	Remark
13	3011150141	Trimming Pull Rod-MT	
S1	80810412	M4X12 Cylinder Head Hexagon - Black	
S2	80900418	M4 Spring Washer	
S3	80900401	M4 Plain Washer	
S4	80810616	M6X16 Hexagon Socket Head	
S5	80900618	M6 Spring Washer	
S6	80900601	M6 Plain Washer	
S7	80880506	M5*6 Hexagon Socket Set Screw	
S8	80880404	M4X4 Screw	
S9	80810410	M4*10 Hexagon Socket Caphead Screw	
S10	80900428	M4 Nut	

08.Y-AXIS DRIVE SYSTEM-1

B11081V1



08.Y-AXIS DRIVE SYSTEM-1

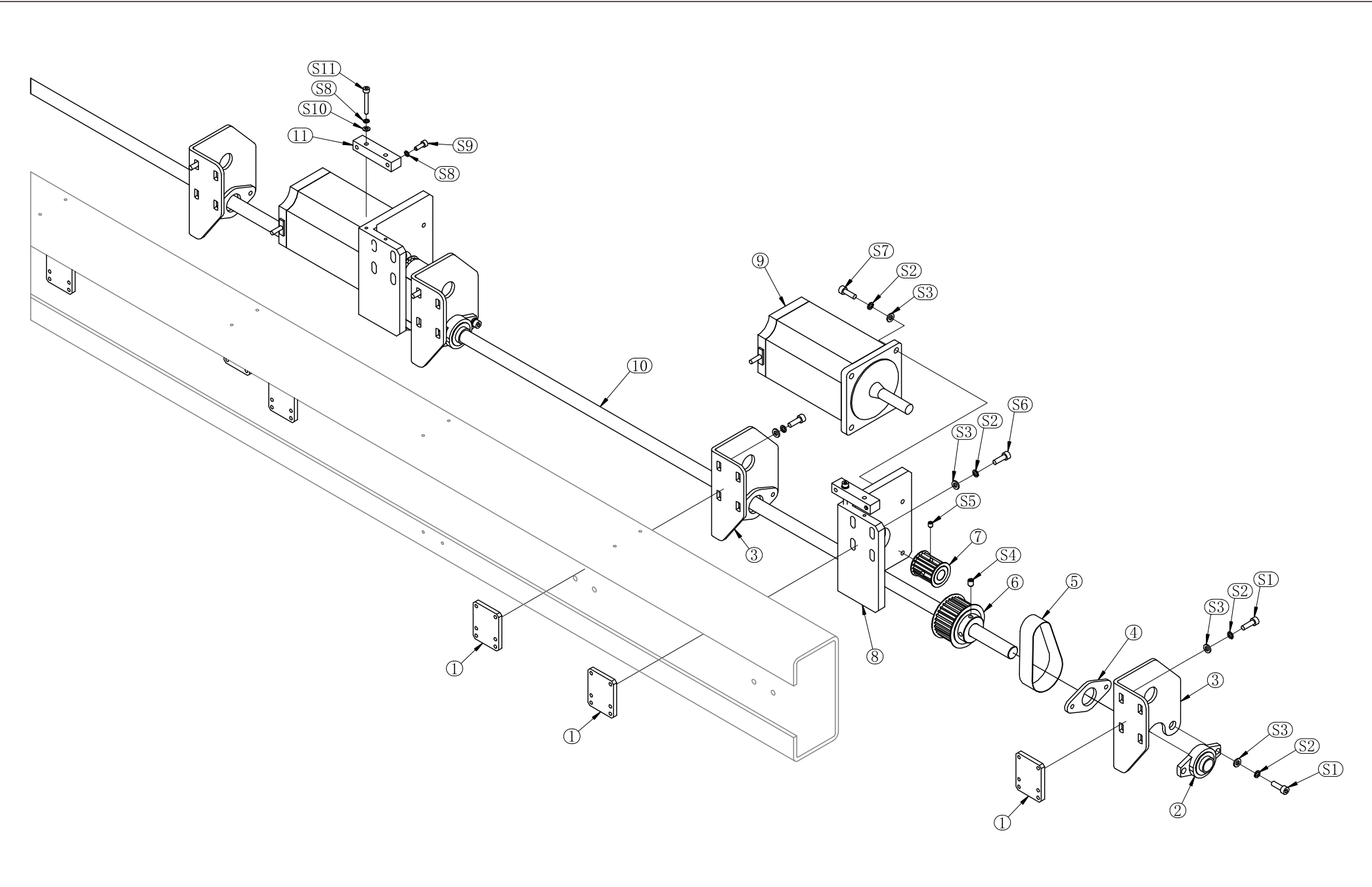
B11081V1

No.	Serial No.	Part name	Remark
1	3011212015	Guide Rail Cover-W-Y-LA	
2	3011212010	Guide Rail Cover-W-Y-R	
3	3011212084	Driven Wheel Assembly-5M-20-27	
3.1	80030871	E Type Circlip 8-7	
3.2	80030822	Ball Bearing 19-8-6	
3.3	3011212093AA	Pulley-Passive-MT-Y	
3.4	3011212005AA	Passive Pully Shaft-MT-Y-30	
4	3011212032	Limit Baffle-MT-A	
5	3011212025	Toothed Press Board-M5-30	
6	3011212028	Belt Press Plate-W-MT-Y-B	
7	3011212027	Belt Press Plate-W-MT-Y-A	
8	3011212026	Guide Rail Connecting Part-W-MT-Y	
9	3011212031	Support-Stopper-MT-Y	
10	03150820	Sensor Board-Limit Position	
11	3003105151	Timing Belt-5M-25	
12	3011212036	Guide Rail Front and Rear Cover-W-MT-A	
13	3011212042	Guide Rail-Y-MT-W-R	
14	8001510480	Linear Guide Rail-MT-Y	
15	3011212013	Mounting Plate-MT-XY Drive A	
16	3011212014	Mounting Plate-MT-XY Drive B	
17	3011212016	Guide Rail Cover-W-Y-LB	

No.	Serial No.	Part name	Remark
18	80039011	Bearing Ufl002	
19	3011212092AB	Pulley-Driving-MT-Y-5M-20-25-H15	
20	3011216003	Driving Shaft Y-15-1775	
S1	80900428	M4 Nut	
S2	80813304	M3X4 Hexagon Socket Head	
S3	80810420	M4X20 Cylinder Head Hexagon - Black	
S4	80810412	M4X12 Cylinder Head Hexagon - Black	
S5	80900418	M4 Spring Washer	
S6	80900401	M4 Plain Washer	
S7	80742304	M3X4 Screw	
S8	80746406	Screw M4*6	
S9	80900804	Cushion M8-(16*1.5)	
S10	80900818	M8 Spring Shim-Stainless Steel	
S11	80900821	M8 Hexagon Nut	
S12	80900301	M3 Plain Washer	
S13	80900318	M3 Spring Washer	
S14	80810308	M3X 8 Cylinder Head Hexagon - Black	
S15	80900501	M5 Plain Washer	
S16	80900518	M5 Spring Washer	
S17	80810516	M5X16 Hexagon Socket Head-Black	
S18	80880608	M6X8 Hexagon Socket Set-Black	

08.Y-AXIS DRIVE SYSTEM-2

B11082V1



08.Y-AXIS DRIVE SYSTEM-2

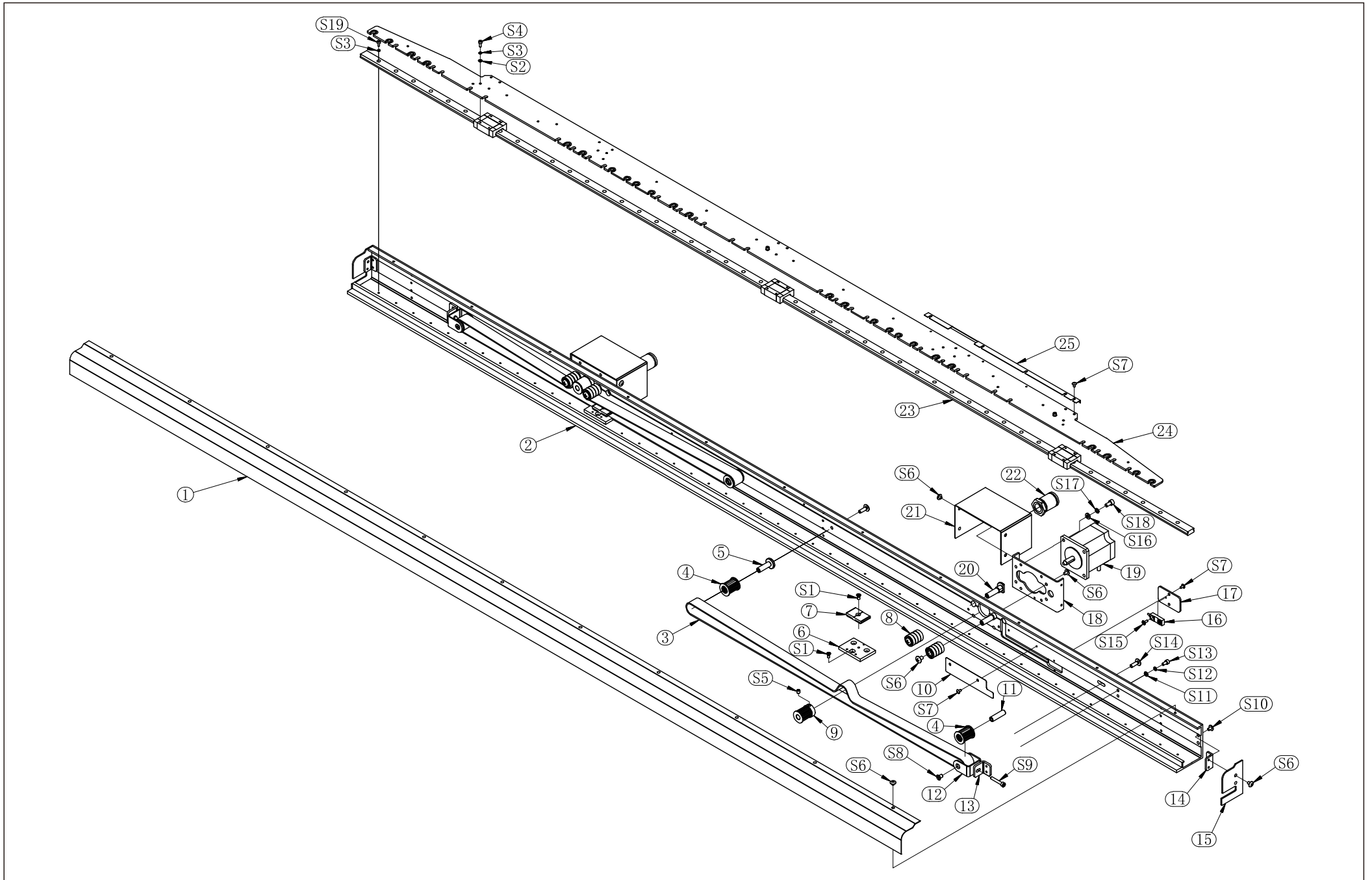
B11082V1

No.	Serial No.	Part name	Remark
1	3011212321	Mounting Plate-Support-3040	
2	80039011	Bearing Ufl002	
3	3011212316	Bearing Base-Y-MT-15	
4	3011313101	Belt Base Bearing-15	
5	80025151	Synchronous Belt 5M-20-235	
6	3011212095AA	Synchronous pulley-Transition-MT-Y-15	
7	3011200193	Synchronous Pulley-Spindle Motor-MT-M	
8	3011212312	Motor Base-Y-MT-86	
9	80308670	Stepping Motor-86HS3B135-506	
10	3011216003	Driving Shaft Y-15-1775	
11	3011212323	Adjusting Base-Tension-Motor Base	

No.	Serial No.	Part name	Remark
S1	80810516	M5X16 Hexagon Socket Head-Black	
S2	80900518	M5 Spring Washer	
S3	80900501	M5 Plain Washer	
S4	80880608	M6X8 Hexagon Socket Set-Black	
S5	80880506	M5*6 Hexagon Socket Set Screw	
S6	80810525	M5X25 Hexagon Socket Head	
S7	80810520	M5X20 Hexagon Socket Head	
S8	80900418	M4 Spring Washer	
S9	80810416	M4*16 Hexagon Socket Caphead Screw	
S10	80900401	M4 Plain Washer	
S11	80810435	Cylinder Head Hexagon - Black M4X35	

09.X-AXIS DRIVE SYSTEM

B11090V1



09.X-AXIS DRIVE SYSTEM

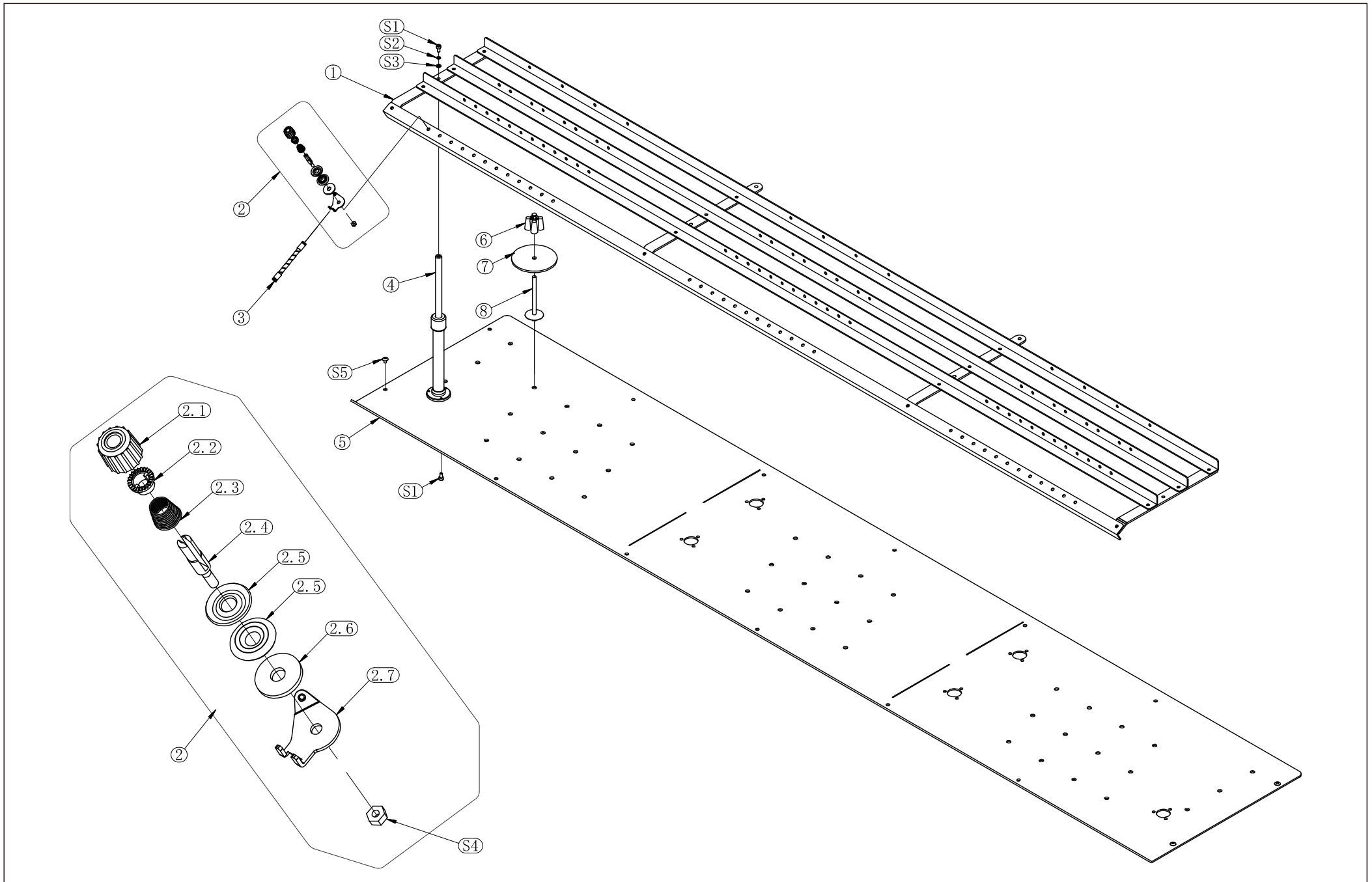
B11090V1

No.	Serial No.	Part name	Remark
1	3011211402	Housing-Driving Frame-MT3-X	
1	3011211502	Housing-Driving Frame-MT4-X	
2	3011211401	X Driving Frame-MT3	
2	3011211501	X Driving Frame-MT4	
3	3011211297	Synchronous Belt-X	
4	80023603	Pulley-20-3M-20-12	
5	3011211305	Passive Shaft-MT-X-Middle	
6	3011211314	Connection Board Press Block	
7	3011211313AA	Belt Press Plate 3M-20-X	
8	80030822	Ball Bearing 19-8-6	
9	80023604	Pulley-20-3M-20-8	
10	3003100113	Thread-Pressing Plate	
11	3011211306	Passive Pulley Shaft-X	
12	3011211307	Passive Pulley Bracket-X	
13	03100107BA	Belt Tension Bracket-X	
14	03100118BA	Driving Cover Support	
15	03100117	Driving Cover X	
16	80333611	Micro Proximity Switch-Pnp	
17	3003100111	Mounting Plate-X-Limit	
18	3011211130	Motor Base-X-MT1	
19	80306001AP	Stepping Motor-Three Phase-60HS3A64-606-02	
20	3011211304	Support Frame-MT-X-Middle	
21	3011211406	Motor Cover-MT3	
22	80391010	Spiral Tube Quick Connector	

No.	Serial No.	Part name	Remark
23	8001511905	Linear Guide Rail FN-BRH15-3-1905	
24	3011211403	Connection Board-X-MT3	
24	3011211503	Connection Board-X-MT4	
25	3011211413	Sensor Board-MT-X	
S1	80860406	M4X6 Flat Head Philips Screw	
S2	80900301	M3 Plain Washer	
S3	80900318	M3 Spring Washer	
S4	80810312	M3X12 Cylinder Head Hexagon - Black	
S5	80880506	M5*6 Hexagon Socket Set Screw	
S6	80746406	Screw M4*6	
S7	80740306	Screw M3*6-Small Head Philips	
S8	80860508	Screw M5X8	
S9	80810416	M4*16 Hexagon Socket Caphead Screw	
S10	80746408	Screw M4*8	
S11	80900401	M4 Plain Washer	
S12	80900418	M4 Spring Washer	
S13	80810410	M4*10 Hexagon Socket Caphead Screw	
S14	80746512	M5X12 Screw	
S15	80860326	M3*6 Flat Head Philips Screw	
S16	80900501	M5 Plain Washer	
S17	80900518	M5 Spring Washer	
S18	80810510	M5X10 Cylinder Head Hexagon - Black	
S19	80810306	M3X6 Cylinder Head Hexagon - Black	

10.THREAD STAND

B11100V1



10.THREAD STAND

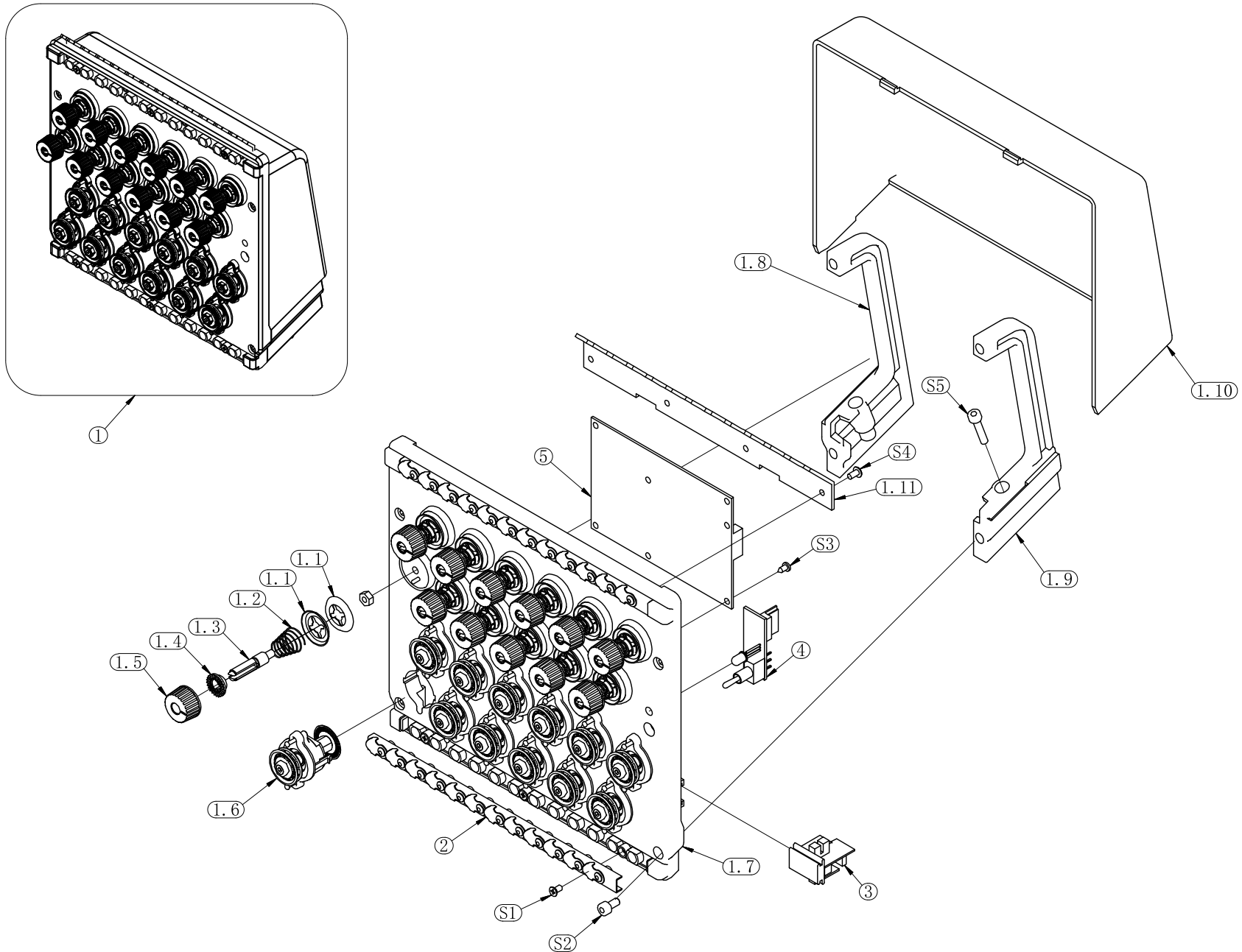
B11100V1

No.	Serial No.	Part name	Remark
1	3011101175	Thread Stand-MT3-12N	
1	3011101176	Thread Stand-MT3-15N	
1	3011101177	Thread Stand-MT3-20N	
1	3011101151	Thread Stand-MT4-12N	
1	3011101152	Thread Stand-MT4-15N	
2	03144260VA	Wire Clipping Adjusting Knob-425C	
2.1	03144207	Tension Knob-Wheel	
2.2	03044155	Locking Washer	
2.3	03144209	Tension Spring-Wheel	
2.4	03144208	Knob Pole-Wheel	
2.5	03144202	Thread Pressing Plate-Wheel	
2.6	80211104	Felt Gasket	
2.7	03141001	Thread Guide Plate-Wheel	

No.	Serial No.	Part name	Remark
3	72010868	Threading Pipe Set-270	
3	72211627	Thread Tube-270	
4	03044152VA	Lifting Stand - Aluminum Alloy	
5	3011101121	Thread Plate-MT3-12	
5	3011101122	Thread Plate-MT3-15	
6	80211008	Plastic Cushion B5	
7	80211009	Foam Cushion	
8	80211007	Thread Spool Pole	
S1	80813408	M4*8 Hexagon Socket Caphead Screw	
S2	80900418	M4 Spring Washer	
S3	80900401	M4 Plain Washer	
S4	80900428	M4 Nut	
S5	80746408	Screw M4*8	

11.TENSION BASE-1

B11111V1



11.TENSION BASE-1

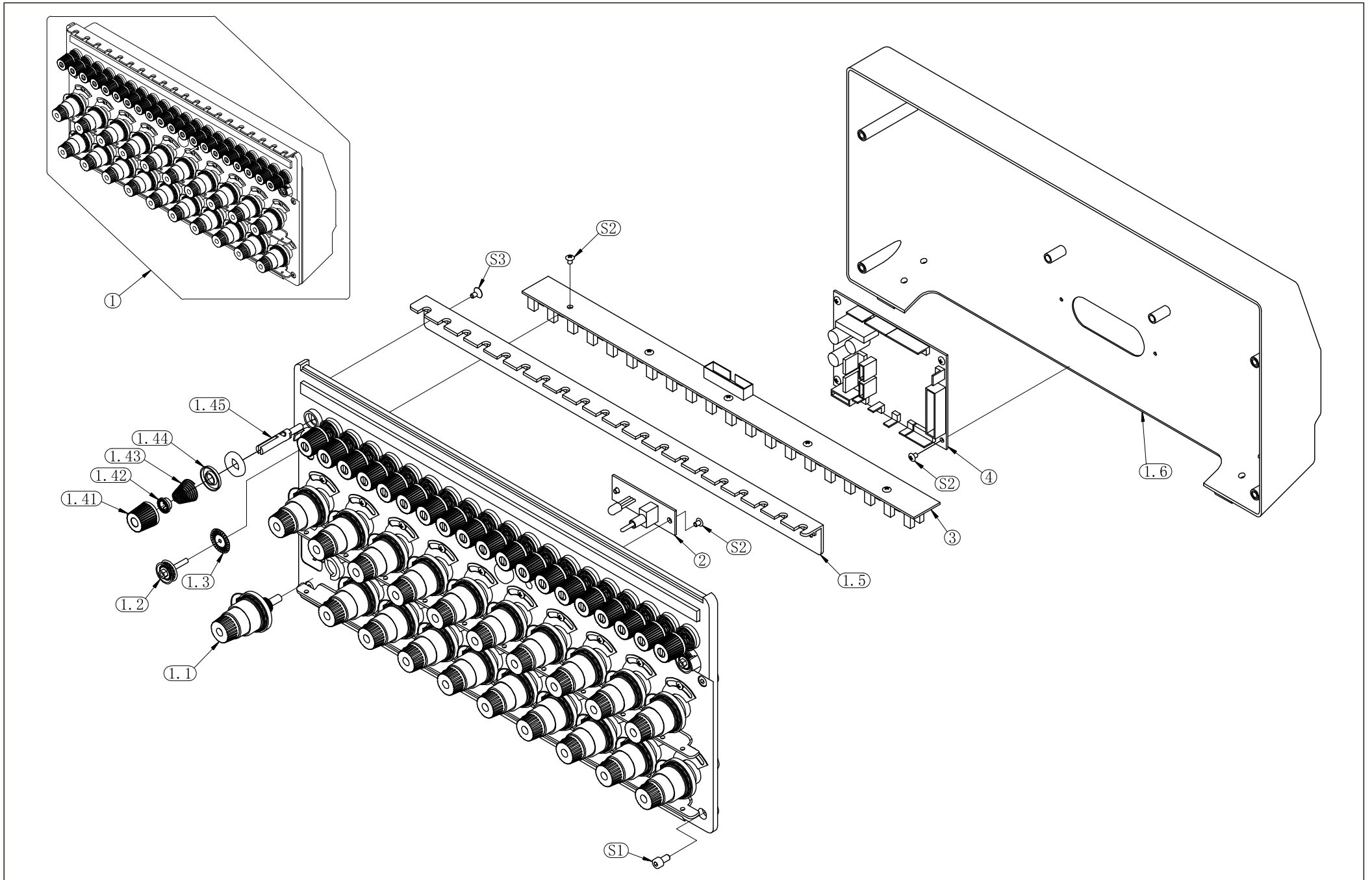
B11111V1

No.	Serial No.	Part name	Remark
1	03144291VA	Thread Tension Base-12-RCM	
1	03144391VA	Thread Tension Base-15-RCM	
1.1	03144202	Thread Pressing Plate-Wheel	
1.2	03144224	Tension Spring	
1.3	03144208	Knob Pole-Wheel	
1.4	03144226	Lock Washer-Wheel	
1.5	03144207	Tension Knob-Wheel	
1.6	03144252	Thread Course Wheel Module-Bearing	
1.7	03144291XZ	Thread Tension Base-Wheel-12 Neeldes	
1.7	03144391XZ	Thread Tension Base-Wheel-15 Neeldes	
1.8	03144214	Bracket Left-Thread Tension Base	
1.9	03144215	Bracket Right-Thread Tension Base	
1.10	03144212	Thread Tension Base Rear Cover-12	

No.	Serial No.	Part name	Remark
1.10	03144312	Thread Tension Base Rear Cover-15	
1.11	03144210	Thread Guide Support Plate-12	
1.11	03144310	Thread Guide Support Plate-15	
2	03144253	Thread Course Strip Module-12	
2	03144353	Thread Course Strip Module-15	
3	03150801	Sensor Board-Detecting Thread Break	
4	03150802MT	Head Indicator Board	
5	03151601	Thread Break Detection Board-Solenoid	
S1	80860326	M3*6 Flat Head Philips Screw	
S2	80813408	M4*8 Hexagon Socket Caphead Screw	
S3	80700107	Screw-Stm3*8	
S4	80746305	Screw M3*5	
S5	80813420	M4*20 Hexagon Socket Caphead Screw	

11.TENSION BASE-2

B11112V1



11.TENSION BASE-2

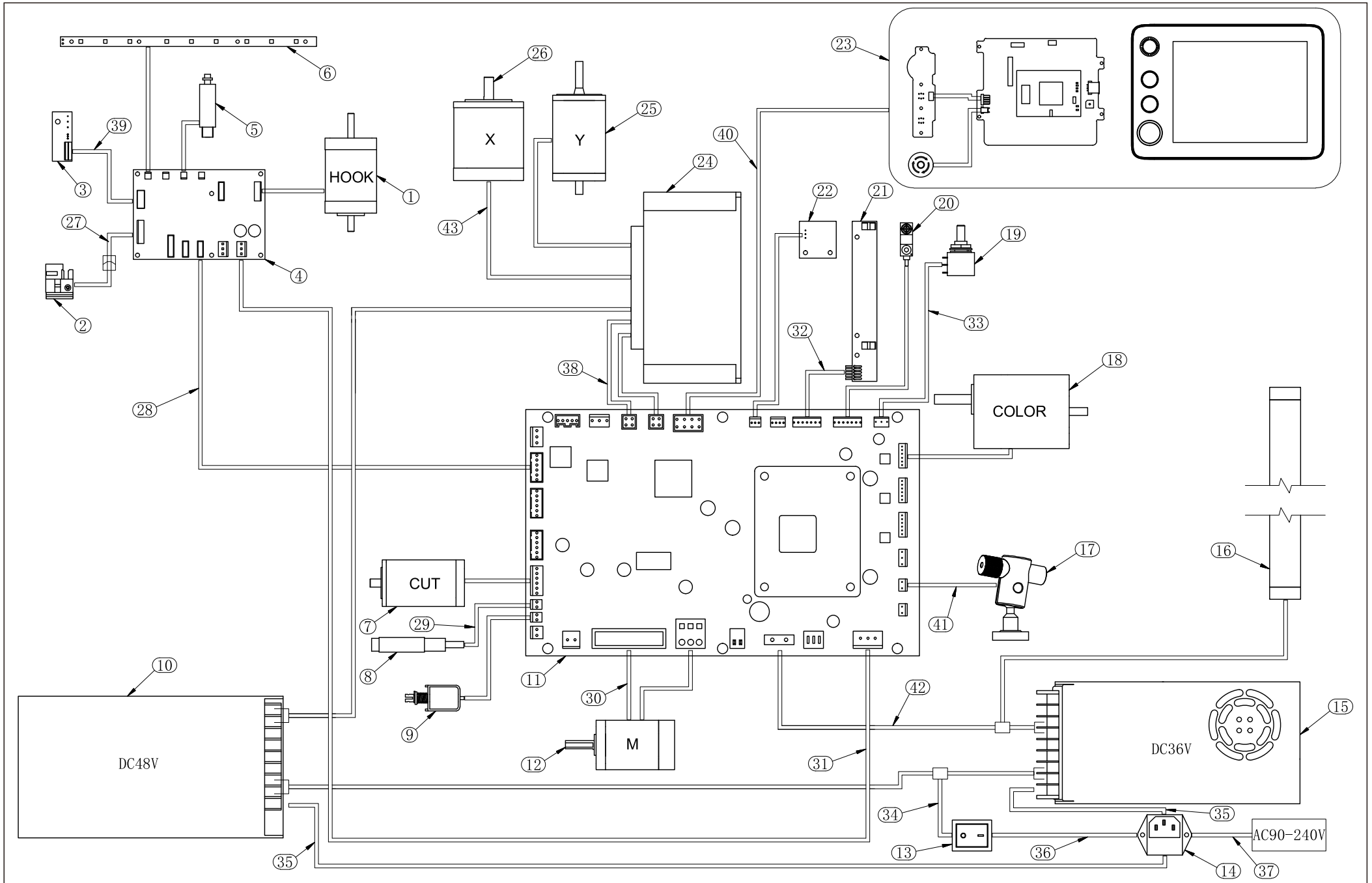
B11112V1

No.	Serial No.	Part name	Remark
1	72216020	Thread Tension Base-Wheel+Spring-20N	
1.1	72210360	Large Knob Assembly-DY	
1.2	72210401	Winding Wheel-DY	
1.3	72210501	Chop Light Wheel	
1.41	72210705	Tightening Knob - Small Knob-DY	
1.42	72210704	Lock Washer - Small Knob-DY	
1.43	72210703	Small Spring	
1.44	72210702	Pressing Sheet	
1.45	72210701	Thread Clamp Bolt-DY	

No.	Serial No.	Part name	Remark
1.5	72211620	Thread Guide Support Plate-Wheel+Spring-20N	
1.6	72210620	Back Cover-Thread Tension Base-20N	
2	03150802VA	Arm Indicator Lighting Board-LED-P	
3	03151611	Thread Break Detection Board-20N	
4	03151603AA	Head Board-20N	
S1	80813412	M4*12 Hexagon Socket Caphead Screw	
S2	80742305	Flanged Semi-Circular Cross-M3X5	
S3	80860304	M3*4 Flat Head Philips Screw	

12.ELECTRICAL PARTS-1

B11121V1



12.ELECTRICAL PARTS-1

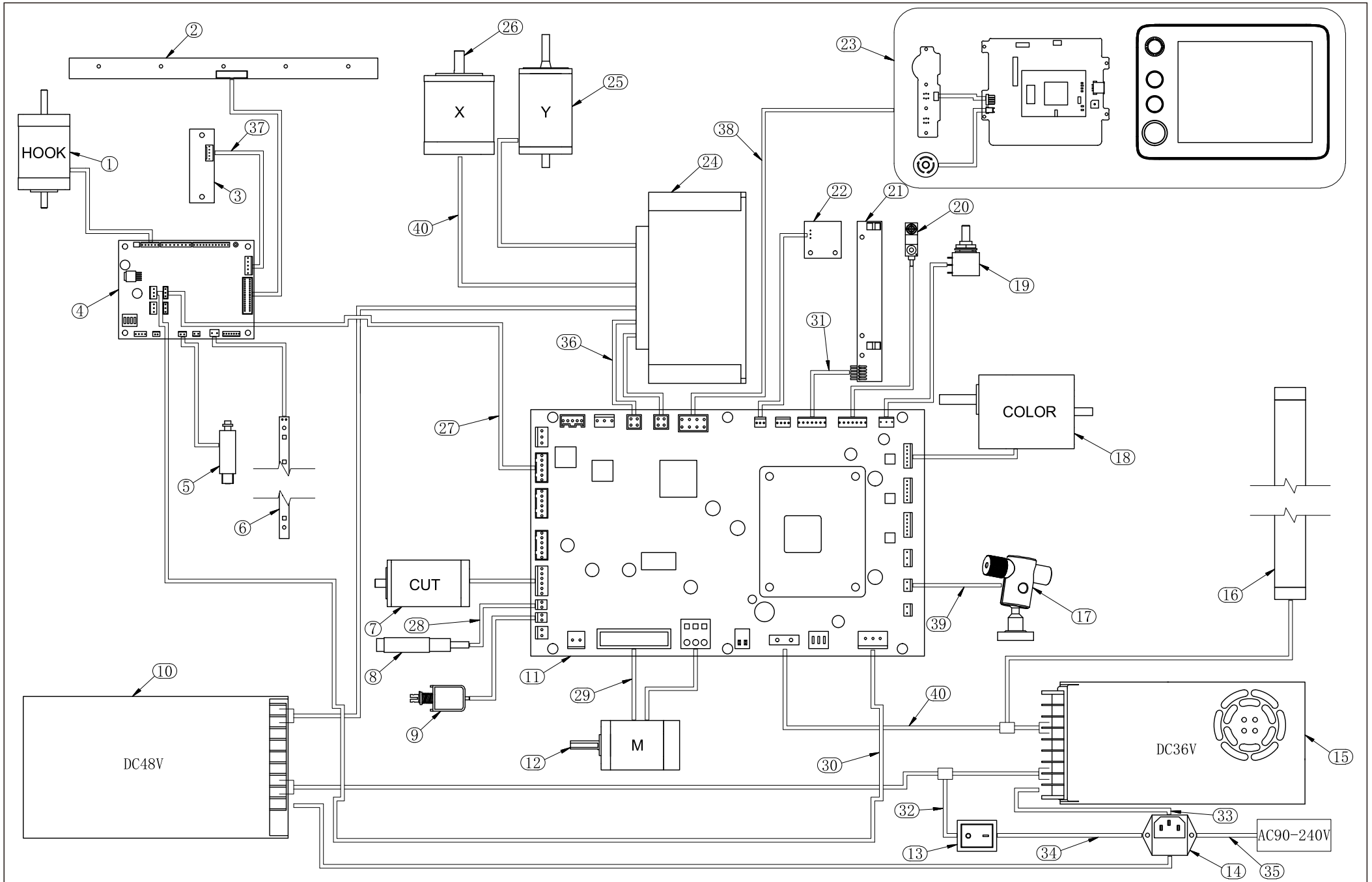
B11121V1

No.	Serial No.	Part name	Remark
1	80304263	Stepper Motor 42H4F62-106-02	
2	03150801MT	Sensor Board-Detecting Thread Break-MT	
3	03150802MT	Head Indicator Board	
4	03151602	Head Board-Solenoid	
5	80320201	Jumping Solenoid	
6	03090515	Alarm Sensor Board-LED-15-P	
6	03090512	Alarm Sensor Board-LED-12-P	
7	80305761	Hooking Motor 57BYGH80D10-15	
8	80333602	Cylinder Proximity Switch NPN	
9	80320230	Picker Solenoid-DC30V	
10	80380642	Switching Power Supply-GKF-200-48	
11	03150761	Multi Function + Main Shaft Integrated Board	
12	80310731	Brushless Servo Motor-80-500W	
13	03150603	Power Switch	
14	03150602	Power Connection Socket	
15	80380656	Power Supply ES-600-36	
15	80380660	Switching Power Supply-Pdf-600-36	
16	80240105	LED Fluorescent Lamp T5-4W	
17	05313181	Laser Device	
18	80305771	"Reduction Stepping Motor - -57-56"	
19	03150833	Multi-Turn Potentiometer	
20	80333611	Micro Proximity Switch-Pnp	
21	03150820	Sensor Board-Limit Position	
22	03150810MT	Zero Position Sensor-MT	

No.	Serial No.	Part name	Remark
23	03151568	Control Panel Module- P8-RCM- Gley	
24	03150361	XY Driver	
25	80308670	Stepping Motor-86HS3B135-506	
26	80306001AP	Stepping Motor-Three Phase-60HSA64-606	
27	03154339MT	Signal Cable - Thread Break Detection Sensor to Head Board	
28	03154332	Signal Cable-Head Board To Multi-Function Board	
29	03154340PT	Signal Cable-X Axis Limit Sensor To Multi-Function Board	
30	03154455	Encoder Cable-Main Motor To Multi Function Board	
31	03154334	Power Cable-Head Board To Multi-Function Board	
32	03154342PT	Signal Cable-Y Axis Limit Sensor To Multi-Function Board	
33	03154338PT	Signal Cable-Potentiometer To Multi-Function Board	
34	03154412MT	Switching Power Supply-Switch Power Cable	
35	03154413MT	Plug-Switching Power Supply Ground Wire	
36	03154411MT	Plug-Switching Power Supply Power Wire	
37	80390101	Power Cable-American Standard-JL003	
37	80390102	Power Cable-European Standard-JL301	
37	80390103	Power Cable-British Standard-BS	
37	80390105	Power Cable RVVZ-3P-2 National Standard	
38	03154457	Drive-Multi-Function model line	
39	03154423	Signal Cable-Head Board to Alarm board	
40	03154337PT	Power Cable + Signal Cable-8 Inch Control Panel To Multi-Function Board	
41	03154341MT	Laser-Multi-Function Board Power	
42	03154344PT	Power Cable-Switch Power To Multi-Function Board	
43	03154452	Signal Cable-X Axis Motor-MT2	

12.ELECTRICAL PARTS-2

B11122V1



12.ELECTRICAL PARTS-2

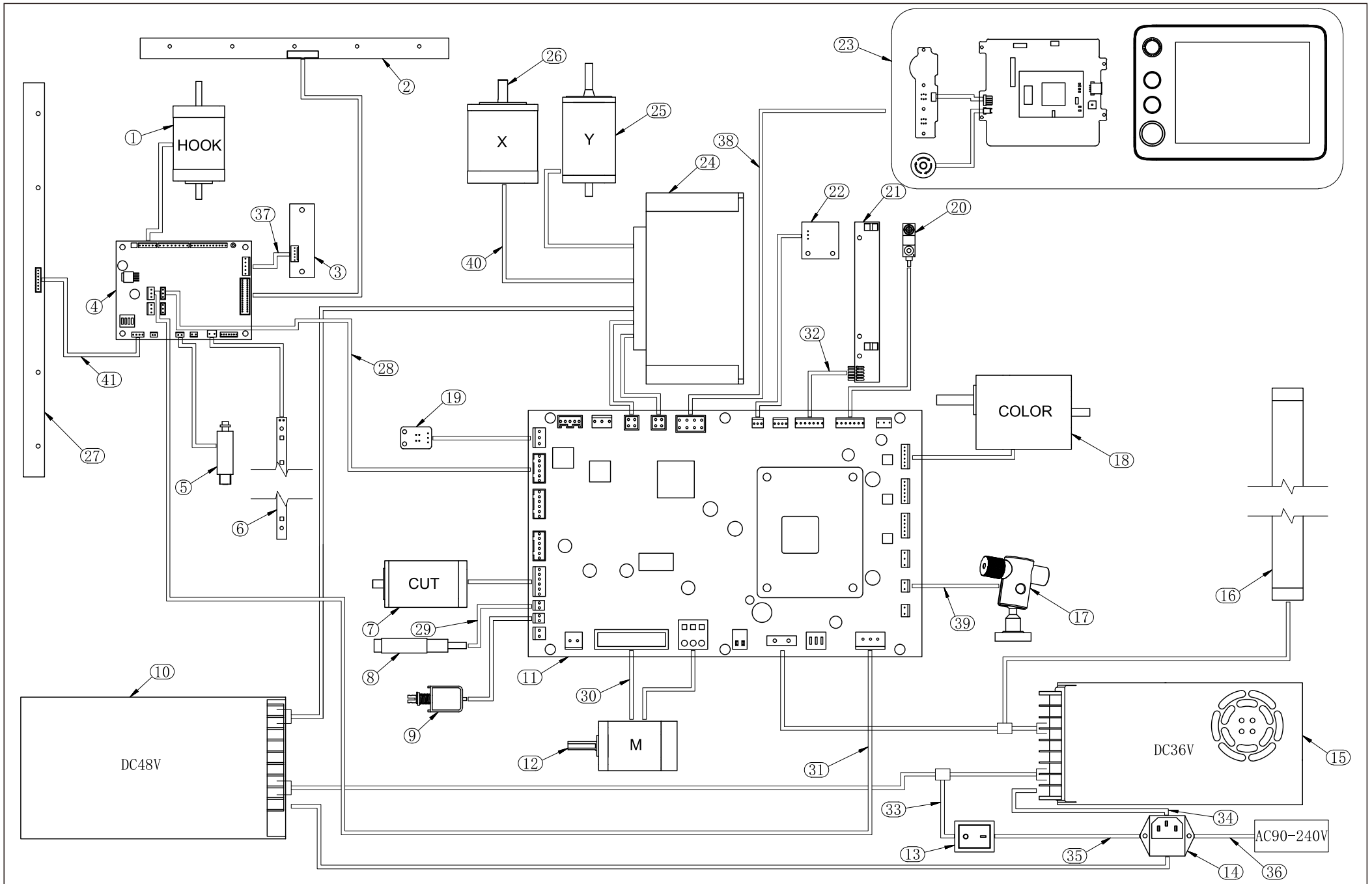
B11122V1

No.	Serial No.	Part name	Remark
1	80304263	Stepper Motor 42H4F62-106-02	
2	03151612	Thread Break Detection Board-12N-19MM	
2	03151621	Thread Break Detection Strip-15N-19mm	
3	03150802VA	Arm Indicator Lighting Board-LED-P	
4	03151603AA	Head Board-20N-Wheel+Spring	
5	80320201	Jumping Solenoid	
6	03090515	Alarm Sensor Board-LED-15-P	
6	03090512	Alarm Sensor Board-LED-12-P	
7	80305761	Hooking Motor 57BYGH80D10-15	
8	80333602	Cylinder Proximity Switch NPN	
9	80320230	Picker Solenoid-DC30V	
10	80380642	Switching Power Supply-GKF-200-48	
11	03150761	Multi Function + Main Shaft Integrated Board	
12	80310731	Brushless Servo Motor-80-500W	
13	03150603	Power Switch	
14	03150602	Power Connection Socket	
15	80380656	Power Supply ES-600-36	
15	80380660	Switching Power Supply-Pdf-600-36	
16	80240105	LED Fluorescent Lamp T5-4W	
17	05313181	Laser Device	
18	80305771	Reduction Stepping Motor - -57-56	
19	03150833	Multi-Turn Potentiometer	
20	80333611	Micro Proximity Switch-Pnp	

No.	Serial No.	Part name	Remark
21	03150820	Sensor Board-Limit Position	
22	03150810MT	Zero Position Sensor-MT	
23	03151568	Control Panel Module- P8-RCM- Gley	
24	03150361	XY Driver	
25	80308670	Stepping Motor-86HS3B135-506	
26	80306001AP	Stepping Motor-Three Phase-60HSA64-606	
27	03154332	Signal Cable-Head Board To Multi-Function Board	
28	03154340PT	Signal Cable-XAxis Limit Sensor To Multi-Function Board	
29	03154455	Encoder Cable-Main Motor To Multi Function Board	
30	03154334	Power Cable-Head Board To Multi-Function Board	
31	03154342PT	Signal Cable-YAxis Limit Sensor To Multi-Function Board	
32	03154412MT	Switching Power Supply-Switch Power Cable	
33	03154413MT	Plug-Switching Power Supply Ground Wire	
34	03154411MT	Plug-Switching Power Supply Power Wire	
35	80390101	Power Cable-American Standard-JL003	
35	80390102	Power Cable-European Standard-JL301	
35	80390103	Power Cable-British Standard-BS	
35	80390105	Power Cable RVVZ-3P-2 National Standard	
36	03154457	Drive-Multi-Function model line	
37	03154423	Signal Cable-Head Board to Alarm board	
38	03154337PT	Power Cable + Signal Cable-8 Inch Control Panel To Multi-Function Board	
39	03154341MT	Laser to Multi-Function Board Power	
40	03154452	Signal Cable-X Axis Motor-MT2	

12.ELECTRICAL PARTS-3

B11123V1



12.ELECTRICAL PARTS-3

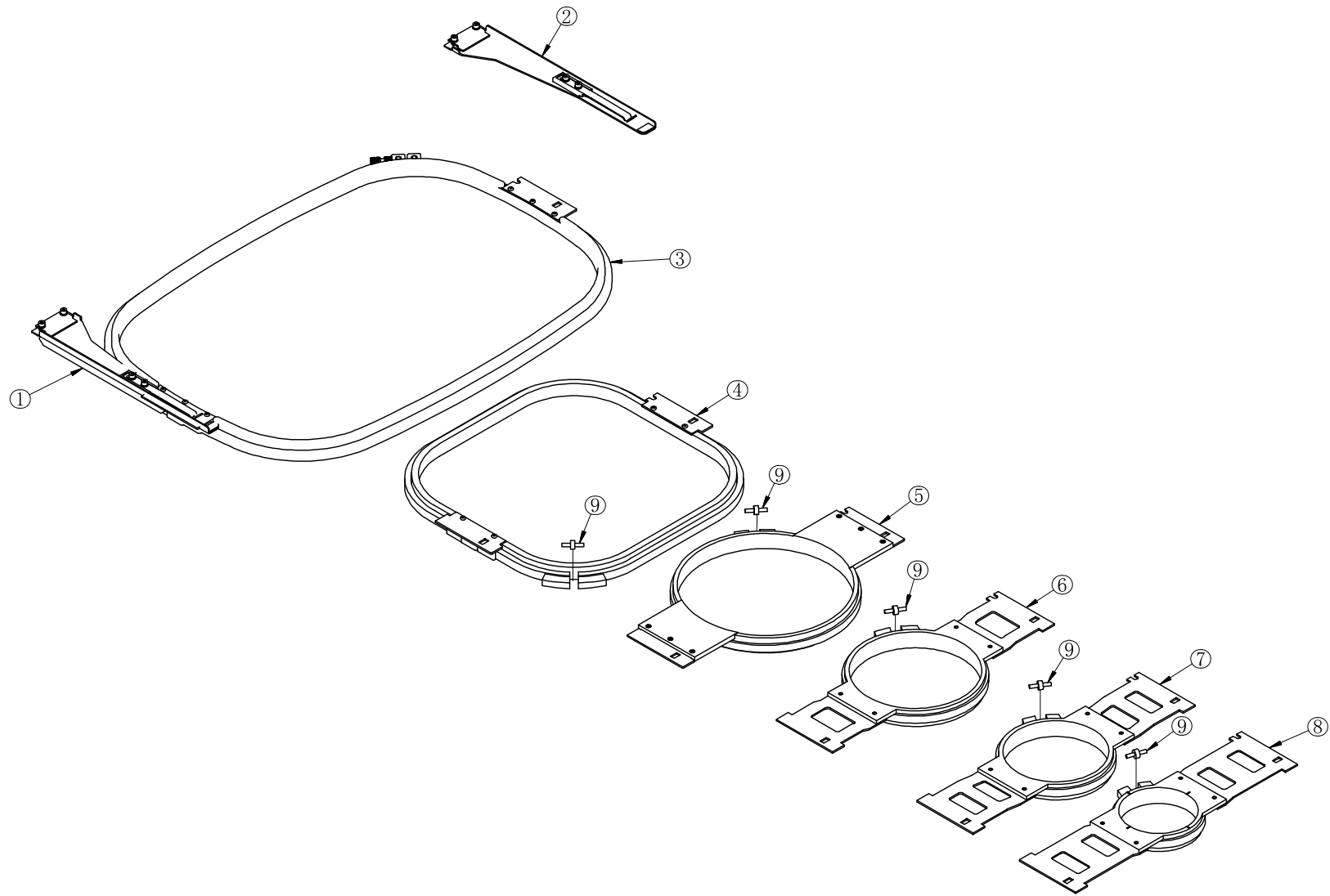
B11123V1

No.	Serial No.	Part name	Remark
1	80304263	Stepper Motor 42H4F62-106-02	
2	03151611	Thread Break Detection Board-20N	
3	03150802VA	Arm Indicator Lighting Board-LED-P	
4	03151603AA	Head Board-20N-Wheel+Spring	
5	80320201	Jumping Solenoid	
6	03090520	Light Plate-LED-20N	
7	80305761	Hooking Motor 57BYGH80D10-15	
8	80333602	Cylinder Proximity Switch NPN	
9	80320230	Picker Solenoid-DC30V	
10	80380642	Switching Power Supply-GKF-200-48	
11	03150761	Multi Function + Main Shaft Integrated Board	
12	80310731	Brushless Servo Motor-80-500W	
13	03150603	Power Switch	
14	03150602	Power Connection Socket	
15	80380656	Power Supply ES-600-36	
15	80380660	Switching Power Supply-Pdf-600-36	
16	80240105	LED Fluorescent Lamp T5-4W	
17	05313181	Laser Device	
18	80304262	Stepper Motor 42H4F62-106-01	
19	3006152104A	Sensor Board-Zero Position-Color Change-20N	
20	80333611	Micro Proximity Switch-Pnp	
21	03150820	Sensor Board-Limit Position	
22	03150810MT	Zero Position Sensor-MT	

No.	Serial No.	Part name	Remark
23	03151568	Control Panel Module- P8-RCM- Gley	
24	03150361	XY Driver	
25	80308670	Stepping Motor-86HS3B135-506	
26	80306001AP	Stepping Motor-Three Phase-60HSA64-606	
27	03150834	Needle Position Detection Board-C-20N	
28	03154332	Signal Cable-Head Board To Multi-Function Board	
29	03154340PT	Signal Cable-X Axis Limit Sensor To Multi-Function Board	
30	03154455	Encoder Cable-Main Motor To Multi Function Board	
31	03154334	Power Cable-Head Board To Multi-Function Board	
32	03154342PT	Signal Cable-Y Axis Limit Sensor To Multi-Function Board	
33	03154412MT	Switching Power Supply-Switch Power Cable	
34	03154413MT	Plug-Switching Power Supply Ground Wire	
35	03154411MT	Plug-Switching Power Supply Power Wire	
36	80390101	Power Cable-American Standard-JL003	
36	80390102	Power Cable-European Standard-JL301	
36	80390103	Power Cable-British Standard-BS	
36	80390105	Power Cable RVVZ-3P-2 National Standard	
37	03154423	Signal Cable-Head Board to Alarm board	
38	03154337PT	Power Cable + Signal Cable-8 Inch Control Panel To Multi-Function Board	
39	03154341MT	Laser to Multi-Function Board Power	
40	03154452	Signal Cable-X Axis Motor-MT2	
41	03154328	Signal Cable-Head Board to Needle Position Dection Board-20	

13.BORDER FRAME-1

B11131V1



13.BORDER FRAME-1

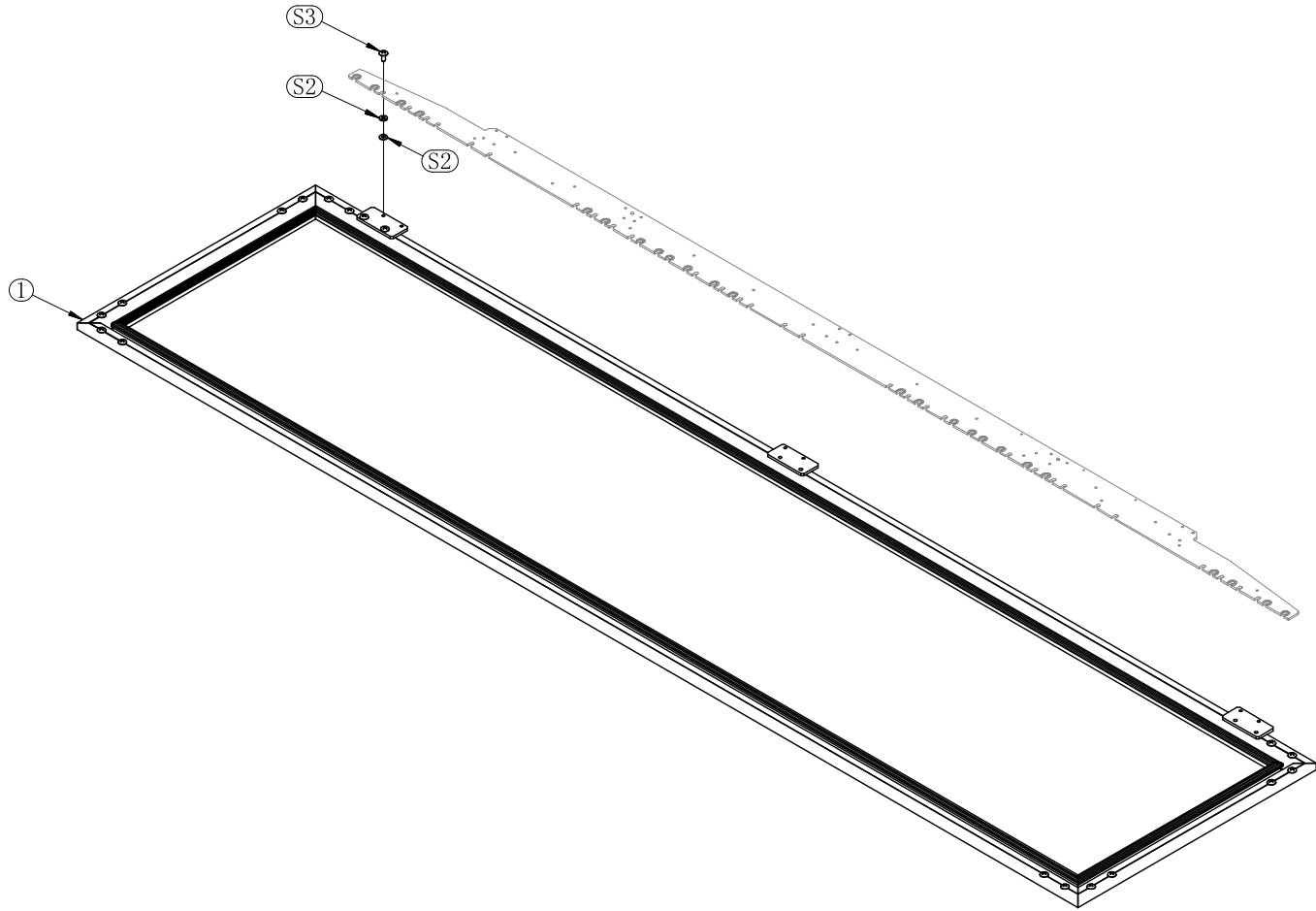
B11131V1

No.	Serial No.	Part name	Remark
1	03100292	Frame Support Module-L	
2	03100291	Frame Bracket Module-R	
3	03173691VA	Hoop-540x360	
4	02540681CB	Hoop CB-290	
5	02540581CB	Hoop CA-190	

No.	Serial No.	Part name	Remark
6	02540481CB	Hoop CA-150	
7	02540381CB	Hoop CA-120	
8	02540281CB	Hoop CA-90	
9	03171102	Frame Tighten Screw	

13.BORDER FRAME-2

B11132V1



13.BORDER FRAME-2

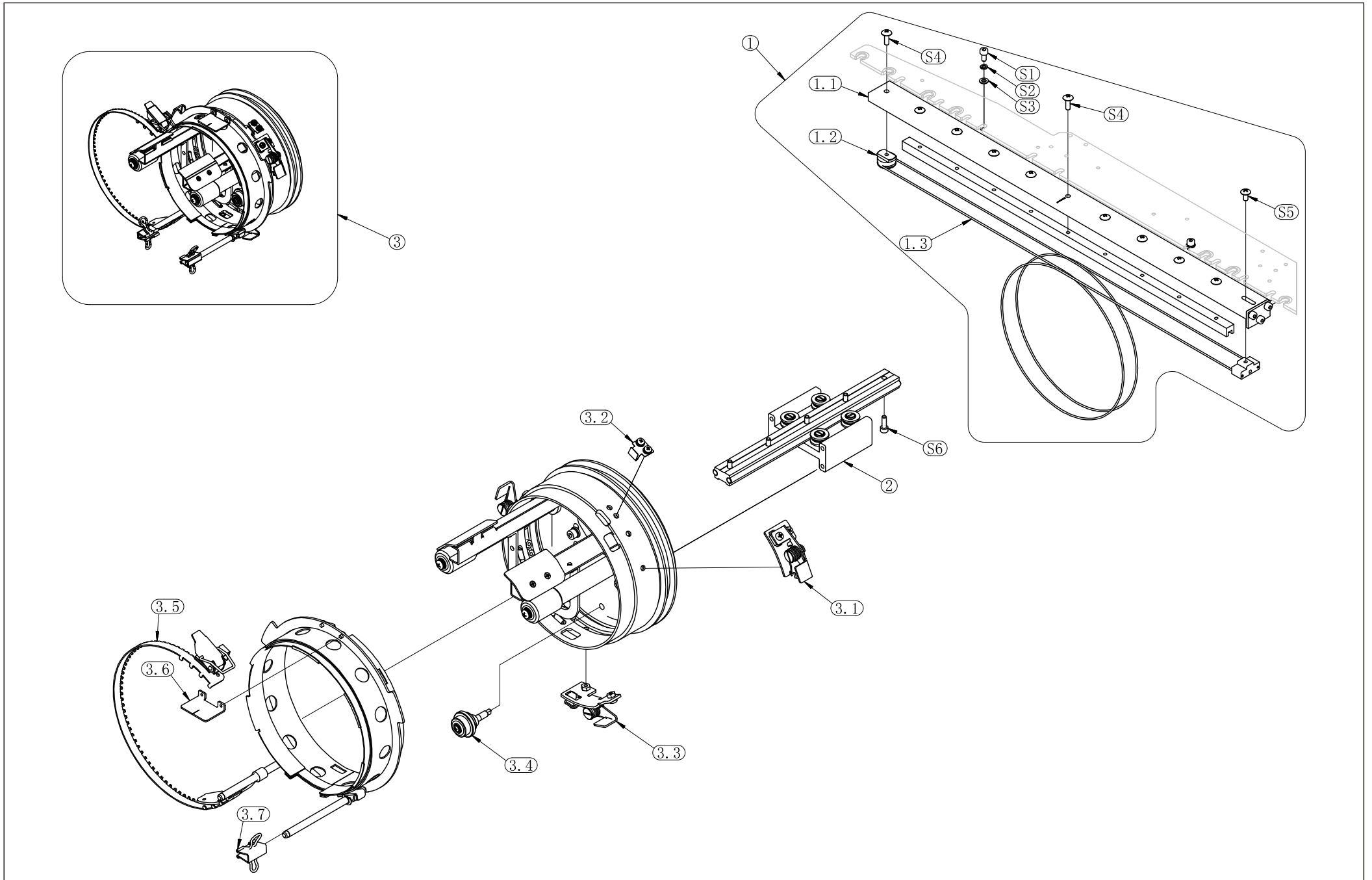
B11132V1

No.	Serial No.	Part name	Remark
1	3011311065	Aluminum Frame-MT-3T	
1	3011311067	Aluminum Frame-MT-4T	
S1	80746512	M5X12 Screw	

No.	Serial No.	Part name	Remark
S1	80746508	M5X8 Screw	
S2	80900501	M5 Plain Washer	

14.HAT FRAME

B11140V1



14.HAT FRAME

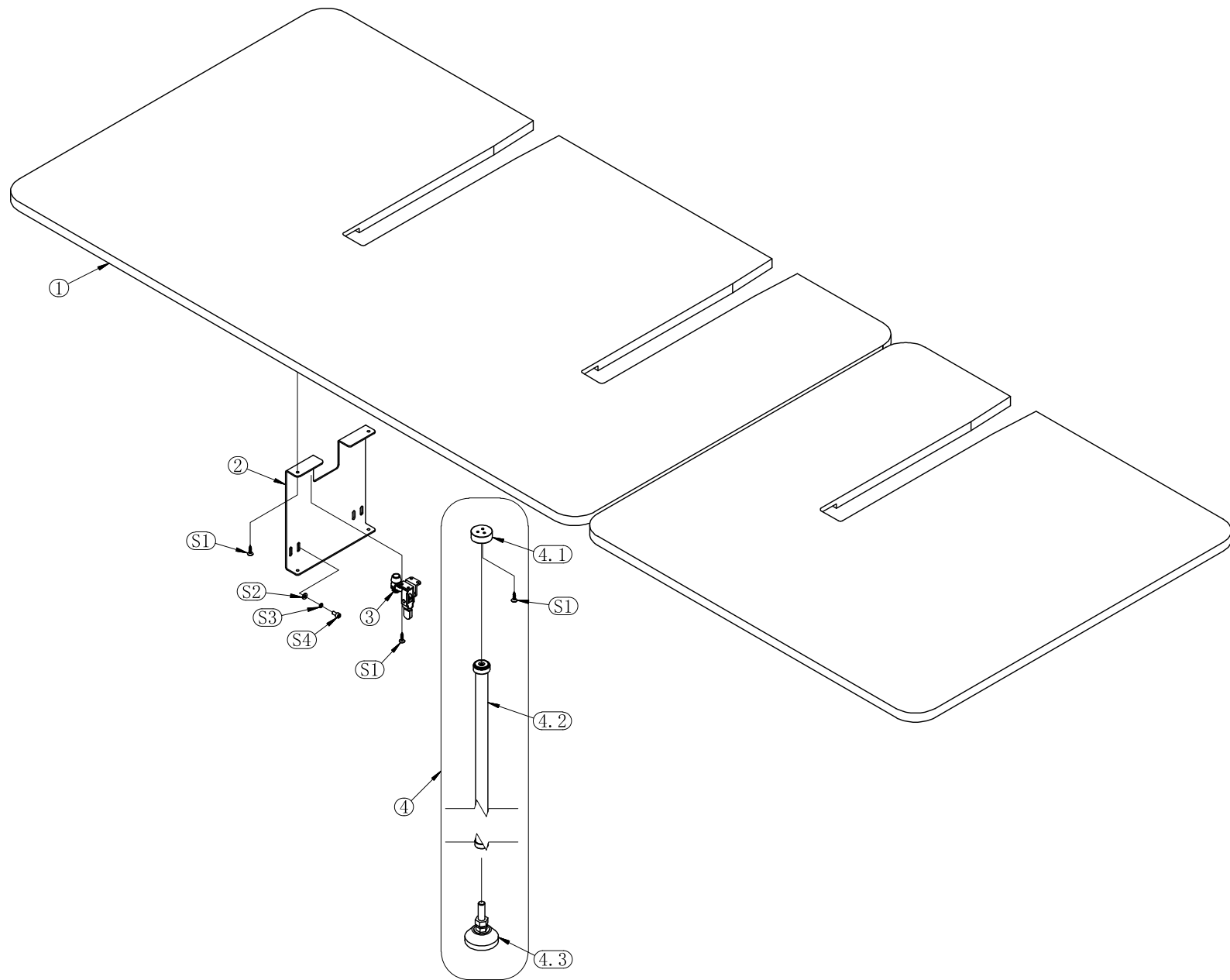
B11140V1

No.	Serial No.	Part name	Remark
1	02815042	Hat Rack Drive Junction Plate Kit-P-MT	
1.1	02815010	Drive Frame-PT	
1.2	02815008	Steel Wire Wheel	
1.3	02815052	Hat Rack Steel Wire Kit-P-MT	
2	02815039	Linear Guide Rail Set-C-220	
3	02815082	Hat Rack–Big Shuttle Box	
3.1	02810270	Clamp Head Components A	
3.2	02810205	Hat Rack Spacing Shrapnel	
3.3	02810271	Clamp Head Components B	
3.4	02810161	Eccentric Wheel Components	

No.	Serial No.	Part name	Remark
3.5	02811082	Cap Strapping Rod Components	
3.6	02811006	Positioning Block	
3.7	02811055	Clamp - Cap Ring	
S1	80813410	M4*10 Hexagon Socket Caphead Screw	
S2	80900418	M4 Spring Washer	
S3	80900401	M4 Plain Washer	
S4	80746412	Screw M4*12	
S5	80746410	Big Round Head Cross Screw M4*10	
S6	80810412	M4X12 Cylinder Head Hexagon - Black	

15. TABLE

B11150V1



15.TABLE

B11150V1

No.	Serial No.	Part name	Remark
1	3011311003	Flat Table-MT-3T	
1	3011311004	Flat Table-MT-4T	
2	3011311011AA	Table Support B-MT	
3	80926011	Clamping Fixture CH-101-A	
4	03010365VA	Platen Support Kit-P-MT	
4.1	03010310	Table Support Magnet Base	

No.	Serial No.	Part name	Remark
4.2	03010325	Support Pillar	
4.3	80270841	Machine Feet-D60-M12X120	
S1	80700302	Flat Head Screw M4*16	
S2	80900501	M5 Plain Washer	
S3	80900518	M5 Spring Washer	
S4	80813510	M5*10 Hexagon Socket Caphead Screw	



Copyright © RiCOMA (Shenzhen) Co., Ltd. All rights reserved.